

Roppe Pinnacle/Pinnacle Plus Wall Base



Product Data

Section 9
Resilient Flooring



1. Product Nomenclature

Roppe Pinnacle/Pinnacle Plus
SBR Rubber Compound

2. Manufacturer

Roppe Corporation
1602 N. Union Street
P.O. Box 1158
Fostoria, Ohio USA 44830-1158
Phone: 419.435.8546
Toll Free: 800.537.9527
Fax: 419.435.1056
Email: sales@roppe.com
Web Site: www.roppe.com
Sweets Catalog: 09 65 00/ROP



3. Product Description

3.1 Product Basics

Roppe Pinnacle & Pinnacle *Plus* Rubber Base is designed for use in commercial and residential wall base applications. No matter what the project, PVC free Roppe Pinnacle and Pinnacle Plus rubber base is ideal for the job. Pinnacle and Pinnacle *Plus* is the professional's choice, because 100% Type TS Pinnacle rubber base is highly durable and extremely flexible, allowing for easy installations around columns, corners and architectural curves. The addition of Pinnacle *Plus* to the Pinnacle brand includes **15** new attractive designs. Both can be installed in conjunction with Roppe's unique Rubber Corner Blocks creating a clean corner look.

3.2 Composition and Materials

Roppe Pinnacle & Pinnacle *Plus* Rubber Base is a vulcanized, extruded product manufactured from a synthetic rubber compound specifically formulated for durability, flexibility, and stability. Pinnacle and Pinnacle *Plus* are also environmentally friendly and can contribute to the LEED® Green Building Certification System because each contains 10% natural rubber. Pinnacle and Pinnacle *Plus* base features an our exclusive top-lip design for tight fit. Low-gloss, satin (matte) finish resists scuffing, gouging, and most chemicals.

3.3 Pinnacle Rubber Base Product Types and Dimensions

3.3.1 Base Toe Profiles: Standard Toe Base 5/8", No Toe Base, Butt Toe Base 5/8", Long Toe 1" and Sanitary Toe Base 2" (all nominal).

GAUGE: 1/8" (3.175mm) nominal



Roppe Pinnacle/Pinnacle Plus Wall Base



Product Data

Section 9

Resilient Flooring



SIZES: Available in 48" (1.22m) lengths and 120 ft. (36.576m) coils

HEIGHTS: Standard cove available in 2-1/2" (63.5mm), 3" (76.2mm), 3-1/2" (88.9mm), 4" (101.6mm), 4-1/2" (114.3mm), 5" (127.0mm), 5 1/2" (139.7mm) and 6" (152.4mm) nominal heights.

STYLES: Available in coved and straight styles in 2-1/2", 4", and 6" nominal heights. Additional nominal heights 3", 3-1/2", 4-1/2", 5" and 5-1/2" available in cove only. Minimum order required.

3.3.2 Pinnacle *Plus* Rubber Base Product Types and Dimensions

Profiles: 00, 10, 15, 45, 50, 60, 70, 80, 90 and 95 with base shoe/unique toe

Gauge: 1/8" nominal (3.175mm)

Height: 4" (101.6mm); 15, 45 and 95 are nominal 5" (127.0mm)

Sizes: Packaged in 60ft. (18.288m) coils

Profiles: 20, 30 and 40 with cove

Gauge: 1/8" nominal (3.175mm)

Height: 4" (101.6mm)

Sizes: Packaged in 120ft. (36.576m) coils

Profiles: 25 and 35

Gauge: 1/4" nominal (6.35mm)

Height: 4-9/16" (115.8mm) nominal

Sizes: Packaged in 60 ft. (18.288m) coils

3.3.3 Pinnacle and Pinnacle *Plus* Product Lengths

Pinnacle Standard Toe & No Toe Lengths: Available in 4 ft. pieces and 120 ft. coils.

Pinnacle Butt Toe, Long Toe and Sanitary Toe: 4 ft. lengths.

Pinnacle Plus Standard Toe: Available in 120 ft. coils only.

Pinnacle Plus 1/4" (6.35mm) thick profiles and Base Shoe/Unique Toe Designs: Available in 60 ft. coils only.

3.4 Roppe Inside & Outside Rubber Corner Blocks



Roppe Pinnacle/Pinnacle Plus Wall Base



Product Data

Section 9
Resilient Flooring



Style: Inside & Outside Rubber Corner Blocks

Gauge: Nominal 1/2" (12.770mm)

Width: Nominal 1" (25.4mm)

Height: Available in all heights matching Pinnacle and Pinnacle *Plus* Wall Base heights.

Rubber Corner Blocks Height: custom order height as needed. Roppe recommends that corner blocks are ordered at least 1/4" taller than the finished height of the wall base that it will be used with. Any necessary corner height reductions can be achieved by simply trimming the bottom end of corner blocks.

Colors: Available in all 70 colors that coordinate with the Pinnacle & Pinnacle *Plus* Rubber Base line.

3.4.1 Inside & Outside Rubber Corner Blocks Attached Wings

Gauge: Nominal 0.060"-0.080"

Wing Width: 1" each side of corner block.

Height: Available in all heights matching Pinnacle and Pinnacle *Plus* Wall Base heights.

Rubber Corner Blocks Height: custom order height as needed. Roppe recommends that corner blocks are ordered at least 1/4" taller than the finished height of the wall base that it will be used with. Any necessary corner height reductions can be achieved by simply trimming the bottom end of corner blocks.

Colors: Available in all 70 colors that coordinate with the Pinnacle & Pinnacle *Plus* Rubber Base line.

3.5 Pinnacle Rubber Base Inside and Outside Factory Corners

Molded inside and outside rubber wall base corners are available in the same heights and gauges listed below, and also available in Roppe Pinnacle rubber base matching colors.

Gauge: 1/8" (3.165mm) nominal for all factory corners.

Length of Inside and Outside Factory Returns (all nominal):

IC Standard Toe Inside: 2-1/4" (57.15mm) nominal length of return. Sizes: 2-1/2", 4" and 6".

OC Standard Toe Outside: 2-1/4" (57.15mm) nominal length of return. Sizes: 2-1/2", 4" and 6".

NT OC No Toe Outside: 2-1/4" (57.15mm) nominal length of return. Sizes: 2-1/2", 4" and 6".

UL OC Underlap Outside: 3" (76.2mm) nominal including underlap.



Roppe Pinnacle/Pinnacle Plus Wall Base



Product Data

Section 9

Resilient Flooring



LT OC Long Toe Outside: 2-1/4" (57.15mm) nominal. Size 4" (101.6mm) nominal

Sanitary Toe Corner Outside: 3-3/4" (95.25mm) nominal. Size 4" (101.6mm) nominal

Standard toe for many installations.

No Toe: Adds a decorative touch to carpeted interiors.

Long Toe: Extends 1" to cover wide irregularities between floor and wall.

Sanitary Toe: High safety or hygienic application. The 2" toe butts up against our rubber tile, eliminating possible base-to-tile overlap/gaps.

*ASTM F-1861 Note: Factory-made corners and wall base may have visual color differences due to process and material variations. Consult the manufacturer to ensure color acceptability between factory-made corners and wall base prior to ordering.

3.6 Features & Benefits

Pinnacle Rubber Base:

- PVC free.
- Contains 10% natural rubber, a renewable resource, which may contribute to the LEED® Green Building Certification System and meets CHPS criteria.
- The widest range of sizes available: 2-1/2", 3", 3-1/2", 4", 4-1/2", 5", 5-1/2" and 6". Profile options in standard 4" include cove, no toe, butt toe, long toe (1") and sanitary base (2").
- Maintains a smooth and attractive appearance. Will not shrink, gap or separate from the wall.
- NEW! Roppe Rubber Corner Blocks are recommended. Inside and outside profiles available.
- All colors inherent throughout and available at a Single Price Point.

Pinnacle Plus Rubber Base:

- PVC free.
- Contains 10% natural rubber, a renewable resource, which may contribute to the LEED® Green Building Certification System and meets CHPS criteria.
- Available in 15 profiles, packaged in coils for seamless installations.
- Inexpensive upgrade to standard wall base that adds visual appeal to any design.
- NEW! Roppe Rubber Corner Blocks are recommended. Inside and outside profiles available.
- All colors are inherent throughout and available at a Single Price Point.

4. Technical Data



Roppe Pinnacle/Pinnacle Plus Wall Base



Product Data

Section 9
Resilient Flooring



4.0 Pinnacle and Pinnacle *Plus* Technical & Specification Data

4.1.0 Technical Data

4.1.1 Roppe Pinnacle and Pinnacle *Plus* meets Standard Specification F-1861 Type TS (Thermoset Vulcanized Rubber), Group 1 (solid).

(ASTM F-1861 Type TS Required Characteristics and Tests)

Characteristic	Requirement	ASTM Test Method
Flexibility	No crack or break (1/4 in. mandrel)	F-137
Resistance to Light	Average DE not greater than 8.0	F-1515
Dimensional Stability	No more than $\pm 0.25\%$	F-1861
Height	As specified, $\pm 1\%$ of nominal height	F-1861
Thickness	As specified, 0.080 in. + 0.015 to -0.005 in. (2.03mm + 0.38mm to -0.13mm) 0.125 in. + 0.015 to - 0.015 in. (3.18mm + 0.38mm to -0.38mm)	F-386
Length	As specified	F-1861
Squareness:	90 degrees +/- 0.5 degrees	F-1861
<p>9.4 <i>Squareness</i>—Each vertical end of the wall base shall form an angle of $90^{\circ} \pm 0.5^{\circ}$ with the top edge and shall fit against the vertical end of another length so that a 0.010 in. (0.254 mm) feeler gage cannot be inserted between the sections at any point.</p>		
Resistance to Chemicals	No more than a slight change in surface dulling, surface attack or staining.	F-925



Roppe Pinnacle/Pinnacle Plus Wall Base



Product Data

Section 9
Resilient Flooring



F-925 *Resistance to Short-Term Chemical Exposure* - When tested in accordance with Test Method F 1861, the wall base shall have no more than a slight change in surface dulling, surface attack, or staining when exposed to the following chemicals:

- White vinegar (5% acetic acid)
- Rubbing alcohol (70% isopropyl alcohol)
- White mineral oil (medicinal grade)
- Sodium hydroxide solution (5% NaOH)
- Hydrochloric acid solution (5% HCl)
- Sulfuric acid solution (5% H₂SO₄)
- Household ammonia solution (5% NH₄OH)
- Household bleach (5.25% NaOCl)
- Olive Oil (light)
- Kerosene (K1)
- Unleaded gasoline (regular grade)

*ASTM F-1861 Note: Factory-made corners and wall base may have visual color differences due to process and material variations. Consult the manufacturer to ensure color acceptability between factory-made corners and wall base prior to ordering.

(Non-Required ASTM F-1861 Test)

4.1.2 ASTM E 648 (NFPA 253), Critical Radiant Flux of Floor Covering Systems: Class 1, >0.45 W/cm²

4.1.3 ASTM E 662 (NFPA 258), Specific Optical Density of Smoke Generated by Solid Materials: Passes, < 450

4.1.4 ASTM E 84 (NFPA 255), Surface Building Characteristics of Building Materials: Class C

4.2 Architects Material Specifications – PINNACLE RUBBER BASE

Flooring accessories shown in the finish schedule or listed herein as Cove Base or Wall Base shall be 1/8" (3.175mm) thick Type TS, Thermoset Vulcanized Pinnacle EXTRUDED RUBBER WALL BASE as manufactured by Roppe Corporation, Fostoria, Ohio. It shall be constructed of first quality materials, properly vulcanized, and shall be smooth and free from imperfections which detract from its appearance. The base shall conform fully to all the requirements of



Roppe Pinnacle/Pinnacle Plus Wall Base



Product Data

Section 9

Resilient Flooring



Standard Specification F-1861, Type TS (Thermoset Vulcanized Rubber), Group 1 (solid). All Wall Base shall be of the type (Straight, Style A, or Cove, Style B), with a nominal height of (2-1/2" {63.5mm}, 3" {76.2mm}, 3-1/2" {88.9mm}, 4" {101.6mm}, 4-1/2" {114.3mm}, 5" {127.0mm} and 6" {152.4mm}) _____, in nominal lengths of (48" {1.22m}, or 120 ft. {36.576m}) _____, in the color stated _____, and 1/8" (3.175mm) nominal thickness.

Sanitary Wall Base shall be 4" (101.6mm) high with a 2" (50.8mm) Sanitary Toe. The toe shall be 1/8" (3.175mm) nominal thick. The length shall be (48" {1.22m}) nominal long and in the color selected

4.3 Architects Material Specifications – PINNACLE PLUS RUBBER BASE

Flooring accessories shown in the finish schedule or listed herein as Cove Base or Wall Base shall be 1/8" (3.175mm) thick Type TS, Thermoset Vulcanized Pinnacle *Plus* EXTRUDED RUBBER WALL BASE as manufactured by Roppe Corporation, Fostoria, Ohio. It shall be constructed of first quality materials, properly vulcanized, and shall be smooth and free from imperfections which detract from its appearance. The base shall conform fully to all the requirements of Standard Specification F-1861, Type TS (Thermoset Vulcanized Rubber), Group 1 (solid). All Wall Base shall be of the style _____ (style B, Base Shoe or Cove), with a height of 4" (101.6mm) nominal, in the color stated _____, and 1/8" (3.175mm) nominal thickness. The length shall be either 60 ft. (18.288m) nominal for base shoe profile or 120 ft. (36.576m) nominal long for standard toe design _____, and in the color selected.

5. Product Limitations/Precautions

Roppe Pinnacle and Pinnacle *Plus* must be installed indoors using either Roppe 205 or 210 Wall Base Adhesives and in accordance with Roppe's recommendations in order for the product warranty to be in effect. Notice: It is the Flooring Installer's direct responsibility to inspect the cove base in the room or area prior to installation to determine the proper layout and best overall appearance. Flooring Installer must inspect all material for manufacturing imperfections and irregularities prior to installation. All manufacturing imperfections or irregularities must be reported to the appropriate authority. All-purpose cleaners/disinfectants allowed to dry on the base may cause staining. During routine floor maintenance, cleansers with acids may stain base. Base should be wiped off with a soft cloth or sponge moistened with clean water. Roppe Pinnacle or Pinnacle *Plus* is not to be installed over non-porous surfaces such as vinyl or rubber wall coverings, laminated masonite, plastic laminates, or non-porous paints, primers or freshly painted surfaces. DO NOT install wall base on outside walls in contact with the ground if moisture or alkali is present. This product is for indoor use only. DO NOT install wall base on any surface that will be exposed to moisture or extreme temperature changes. Roppe Pinnacle or Pinnacle *Plus* may be stained if it is allowed to remain in contact with products that may contain staining ingredients such as tires, casters, and walk-off mats. Fading can occur from extensive exposure to heavy direct or glass-filtered sunlight, or unfiltered ultra-violet rays. Ensure any disinfectant, cleaning agent, dye, floor care product, pesticide, or other chemical (solid, liquid, or gas) that may come in contact with the wall base will not produce permanent



Roppe Pinnacle/Pinnacle Plus Wall Base



Product Data

Section 9

Resilient Flooring



discoloration and/or damage to the wall base. The wall base is not to come in contact with direct heat, such as radiators, hot ovens, or other heated equipment. Color selections must be made from actual samples as exact matching of color or shade may vary.

6. Installation

General Preparation and Conditioning

6.1 Read the literature concerning the product description, product limitations, wall surface inspection, adhesive information, adhesive application and product installation procedures, and warranty before installation. All materials are to be delivered to the installation location in its original packaging with labels intact. The installation area, un-boxed wall base, un-boxed corners/corner blocks and adhesive are to be maintained between 65°F (19°C) and 85°F (30°C) for at least 48 hours before installation, during installation, and thereafter. Proceed with the installation only when the conditions are proper and correct. Inspect all material for proper type and color. Roppe 205 Cove Base Adhesive or Roppe 210 White Acrylic Cove Base Adhesive must be used for the installation of Pinnacle or Pinnacle *Plus* Wall Base, Rubber Corner Blocks and Factory Corners. A bond test should be performed at least 72 hours prior to the scheduled installation to ensure the surface is suitable. There should be extreme difficulty in removing the wall base from the surface. If the back of the wall base becomes soiled prior to installation, clean with a soft cloth dampened with a mild soap and water solution, rinse, let dry.

6.2 Wall Surface Inspection

6.2.1 All surfaces should be inspected prior to installation. Use only on structurally sound interior wall surfaces such as dry plaster, cured drywall, exterior grade plywood (Group 1, CC type), concrete, and masonry that are clean, smooth, dry, and structurally sound. Roppe Pinnacle or Pinnacle *Plus* are not to be installed over non-porous surfaces such as vinyl or rubber wall coverings, laminated masonite, plastic laminates, FRP Panels, ceramic tile, marble or non-porous paints, or freshly painted surfaces, or over existing alcohol resin adhesives. If needed to install on a wall with vinyl wall covering, the wall covering must be first be cut and remove the wall covering exposing the drywall completely. Cut the wall covering leaving ¼" (6.35mm) margin below where the top of the wall base will be installed. All surfaces must be completely free from moisture, alkali, old adhesive, dust dirt, wax, oil, grease, loose paint, or plaster, non-porous wall coverings or paints, and other extraneous coatings or materials that could prevent a successful bond. Plaster and cement must be thoroughly dry and cured. Any rough or uneven surfaces may telegraph through the wall base. Follow the manufacturer's recommendations for any patching materials. Warning: When removing old wall base or adhesives, unless they can be positively identified not to contain hazardous materials, you must presume the materials may contain hazardous materials. Follow the recommended practices for the proper removal and disposal of the materials.

6.3 Roppe 205 Cove Base Adhesive

Roppe 205 Wall Base Adhesive is a fortified acrylic emulsion specifically formulated for Roppe Pinnacle, Pinnacle *Plus*, Rubber Corner Blocks and Factory Corners, which provides excellent



Roppe Pinnacle/Pinnacle Plus Wall Base



Product Data

Section 9

Resilient Flooring



permanent adhesion. It's designed for the installation of Roppe Rubber and Vinyl Wall Base to structurally sound surfaces. It's easy to spread, solvent-free and non-flammable. Roppe 205 Wall Base Adhesive has excellent initial grab, long term aged bond strength and will not stain light colored walls. This adhesive is freeze/thaw stable down to 0°F (18°C) and 5-cycles; however, it is recommended to protect all water-based products from freezing. If frozen, DO NOT stir until material has completely thawed. Shelf life is one year @ 70°F (21°C) in an unopened container. This product is available in 11oz. cartridges, 29 oz. cartridges, quarts, and 1-gallon, 2-gallon and 4-gallon plastic buckets. Spread coverage on 4" Pinnacle or Pinnacle Plus wall base using a 1/8" saw-tooth spreader is approximately 275 linear feet per gallon. The cartridges are designed for single closely serpentine bead application or for use in a custom applicator with 3-hole nozzles for 4" wall base. When using a 29-fluid ounce cartridge, spread coverage on 4" wall base using 3 beads of adhesive is approximately 62 linear feet. Coverage will vary according to the type of surface, surface texture, spreading angle, and nozzle diameter. Wet adhesive may be cleaned from the face of the wall base, surrounding area, tools, or hands with water. Dried adhesive may be removed with a soft cloth dampened with warm water. DO NOT allow adhesive to dry on wall base, molded corners or rubber corner blocks.

Roppe 205 is CRI Green Label Plus, CHPS and LEED Compliant.

Roppe 205 Wall Base Adhesive Calculated VOC's according to California Rule #1168: 27 grams per liter of coating.

6.3.1 Roppe 210 White Acrylic Cove Base Adhesive

Roppe 210 White Acrylic Cove Base Adhesive is solvent-free, non-flammable, and nearly odor free, making it suitable for office buildings, hotels, hospitals, schools and restaurants etc. Roppe 210 is formulated for the installation of Roppe Pinnacle, Pinnacle Plus, Rubber Corner Blocks and Factory Corners, which provides excellent permanent adhesion. It's designed for the installation of Roppe Rubber and Vinyl Wall Base to structurally sound surfaces. Roppe 210 Adhesive has excellent initial grab, long term aged bond strength and will not stain light colored walls. This adhesive is freeze/thaw stable down to 0°F (18°C) and 5-cycles; however, it is recommended to protect all water-based products from freezing. If frozen, DO NOT stir until material has completely thawed. Shelf life is one year @ 70°F (21°C) in an unopened container. This product is available in 29 oz. cartridges, 1-gallon and 4-gallon plastic buckets. Spread coverage on 4" Pinnacle or Pinnacle Plus wall base using a 1/8" saw-tooth spreader is approximately 275 linear feet per gallon. The cartridges are designed for single closely serpentine bead application or for use in a custom applicator with 3-hole nozzles for 4" wall base. When using a 29-fluid ounce cartridge, spread coverage on 4" wall base using 3 beads of adhesive is approximately 62 linear feet. Coverage will vary according to the type of surface, surface texture, spreading angle, and nozzle diameter. Wet adhesive may be cleaned from the face of the wall base, surrounding area, tools, or hands with water. Dried adhesive may be removed with a soft cloth dampened with warm water. DO NOT allow adhesive to dry on wall base, molded corners or rubber corner blocks.

Roppe 210 is CRI Green Label Plus, CHPS and LEED Compliant.



Roppe Pinnacle/Pinnacle Plus Wall Base



Product Data

Section 9

Resilient Flooring



Roppe 210 White Acrylic Cove Base Adhesive Calculated VOC's according to California Rule #1168: 0 grams per liter of coating.

6.4 Rubber Corner Blocks Installation:

6.4.1 Rubber Corner Blocks must be installed using Roppe 205 Wall Base Adhesive or Roppe 210 White Acrylic Cove Base Adhesive over approved surfaces applied either with a 1/8" saw-tooth trowel or with a cartridge gun, covering the entire back of both the Rubber Corner Blocks and connected wings or wall surface. DO NOT spread adhesive within 1/4" from the top of the Rubber Corner Blocks. The connected Rubber Corner Blocks wings can also be mechanical fastened, in addition to using the recommended adhesive for added stability. When utilizing mechanical fasteners, always position fasteners to Rubber Corner Block Wings in an inconspicuous area and vertically to prevent telegraphing. Any necessary height reductions can simply be achieved by trimming the bottom end of corner blocks. Inside & Outside Rubber Corner Blocks are to be installed prior to installing Pinnacle or Pinnacle Plus Wall Base.

6.4.2 Rubber Corner Blocks and New Wall Base Installation: Before installing new wall base, first install Rubber Corner Blocks (refer to Rubber Corner Blocks Installation Section). Once corners have been installed, cut wall base to desired length and apply adhesive according to wall base instructions, overlapping wall base directly over corner block connecting wings fitting directly against the 1" Rubber Corner Block and roll with a wall base hand roller.

6.4.3 Rubber Corner Blocks Installation with Existing Factory or On-Site Formed Corners: To install Rubber Corner Blocks when either factory or on-site formed corners have been previously installed, measure and remove existing corners leaving enough wall base material to fit tightly against the 1" Rubber Corner Blocks, while completely overlapping the corner block wings. (Refer to Rubber Corner Blocks Installation Section). DO NOT STRETCH wall base during removal. Install Rubber Corner Blocks, wall base and BaseMates using the required adhesive making sure each fits tightly against 1" corner, and then roll with a wall base hand roller.

6.4.4 Job-Site Wrapped Outside Corners (excluding profiles #25, #35, #45, #50, #80, #90 & #95):

- 1) Discontinue application of recommended adhesive to wall base approximately twenty-four inches from the outside corner of the wall.
- 2) Position the wall base tight against the wall and mark the length on the back side of the wall base with a pencil utilizing the wall as a guide.
- 3) Position wall base with the back side up on a flat stable surface.
- 4) Utilize a top-set gouge to remove approximately 30% of the wall base's thickness along the pencil line on the side of the line in the direction (A – Vertical Cut) the wall base will be installed. Remove the excess on each side of the groove just above the toe of the wall base.



Roppe Pinnacle/Pinnacle Plus Wall Base



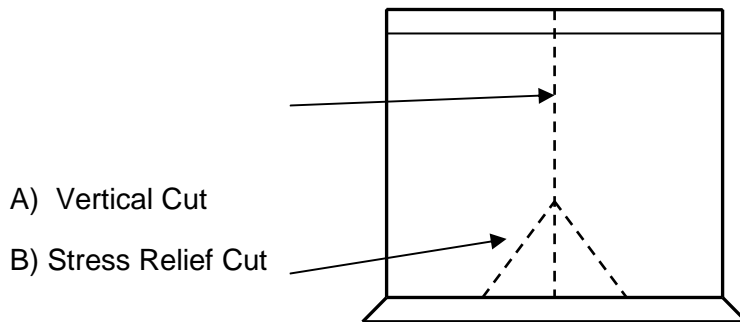
Product Data

Section 9

Resilient Flooring



- 5) Utilize top-set gouge to make two stress relief gouges (B – Stress Relief Cuts) above the wall base toe approximately one-inch from the bottom of the Vertical Gouge Line. Stress Relief cuts should be approximately one-inch long.
- 6) Fold back wall base to pre-form the corner. The toe is to be rolled upwards which will assist in contouring. The top edge of the cove base should fit tight against the wall's surface and the wall base toe should be rounded and sitting flat against the floor.
- 7) Adhere wall base as directed.



6.4.5 Job-Site Inside Corners:

Job-site inside corners can be made by installing base into the corner, then positioning another piece of wall base without adhesive on the adjoining wall one-inch from the inside corner. Set dividers and place the hooked end at the top of the installed piece and the pointer end on the top of the uninstalled wall base. Slowly move the dividers downward in a straight vertical motion allowing the hooked end of the dividers to follow the profile of the installed wall base. It is important to apply adequate pressure on the divider's pointer end to transfer the profile onto the surface of the uninstalled wall base. After the profile has been transferred, use a utility knife to cut the pattern on the uninstalled wall base and then apply adhesive with a 1/8" saw-tooth trowel and position base into the corner.

6.4.6 Roppe 205 Cove Base and Roppe 210 White Acrylic Cove Base Adhesive Application: Install factory corners, rubber corner blocks or on-site manufactured corners before installing wall base. Fully adhere all corners with recommended Roppe Adhesive. Use mechanical fasteners in addition to adhesive to adhere Rubber Corner Blocks. Roll with hand-roller to ensure proper adhesive transfer and bond. Then cut wall base to desired length and fit tightly against corners. Spread adhesive with a 1/8" saw-tooth spreader evenly on the back of the base or wall surface. **DO NOT** spread adhesive within 1/4" from the top of the wall base or allow adhesive to dry or skin-over. Caution: **DO NOT STRETCH** the wall base. The wall base can be stretched while rolling and will later return to its original length causing gaps at the seams. Note: It is important to always roll the base in the direction toward the last piece installed. This practice will ensure a tight fit at the seams. Bond the base to the wall within 15 minutes after adhesive application and lightly roll with a hand wall base roller. Periodically check the back of



Roppe Pinnacle/Pinnacle Plus Wall Base



Product Data

Section 9

Resilient Flooring



the wall base to make sure good adhesive transfer occurs. At least 90% of the base must be covered with adhesive. Adhesive open time will vary upon the type of surface, temperature of the surface, ambient temperature, humidity, and proper conditioning of the adhesive. When installing Pinnacle Standard Toe Wall Base in coils, the toe area must be adjusted along the toe's horizontal factory molded relief area prior to installation in order for the wall base's toe to flush against the floor & to ensure the correct wall base height is achieved. If the toe is not adjusted along the molded relief area, the toe will not lay flat and the wall base will extend above the desired height. When using an adhesive cartridge with the existing cartridge nozzle in a standard caulking gun, cut the plastic tip diagonally to produce a bead of adhesive ¼" in diameter. When using the cartridge in an applicator with custom spreader heads, cut the plastic tip to a length of ¼" or less. Puncture the tab at the bottom of the nozzle with a screwdriver or other appropriate tool. Apply even pressure to the trigger to produce an even flow of adhesive. Whether using the existing nozzle or custom spreader heads use 3 beads for 4" Pinnacle or Pinnacle Plus Wall Base. For 5" wall base, at least four-beads of adhesive must be applied, and five beads must be applied for 6" wall base. All bead applications must be in a tight serpentine pattern to ensure the wall base is adhered properly. If desired, Job-site inside corners can be made by installing base into the corner, then positioning another piece of wall base without adhesive on the adjoining wall one-inch from the inside corner. Set dividers and place the hooked end at the top of the installed piece and the pointer end on the top of the uninstalled wall base. Slowly move the dividers downward in a straight vertical motion allowing the hooked end of the dividers to follow the profile of the installed wall base. It is important to apply adequate pressure on the divider's pointer end to transfer the profile onto the surface of the uninstalled wall base. After the profile has been transferred, use a utility knife to cut the pattern on the uninstalled wall base and then apply adhesive with a ⅛" saw-tooth trowel and position base into the corner. To make job-site outside corners, install wall base with adhesive approximately 12" from outside corner. Position an uninstalled piece of wall base against the previously installed base, ensuring the base will extend at least 4" past the corner. Then trace the corner profile with a pencil on the back of the base. Remove base and lay on a flat surface. Utilize a top-set gouge tool and make a shallow notch on the right-hand side of the pencil line, not exceeding one-quarter thickness of the total base thickness. Reposition the wall base corner and make any necessary adjustments for a tight fit. Remove corner and apply adhesive using a ⅛" saw-tooth trowel. To ensure proper fit, the corner return must be at least 6" to relieve enough stress so the base will adhere and hold properly, and is left at the installer's discretion. Pinnacle and Pinnacle Plus corners appearance can be enhanced by using Roppe's matching Colored Caulk. DO NOT disturb the installed wall base for 48 hours after installation to allow the adhesive to properly set up. Maintain the temperature between 65°F (19°C) and 85°F (30°C) thereafter. On non-porous wall surfaces, a non-flammable contact bond adhesive should be used, following all manufacturers' warnings and precautions.

6.4.7 #45 Pinnacle Plus & Rubber Corner Block Installation Instructions

Pinnacle Plus #45 was designed to eliminate the cost associated with removing and disposing of existing wall base. #45 can be installed directly over all competitor's existing 4" TS (Thermoset Vulcanized Rubber), TP (Thermoplastic Rubber) or TV (Thermoplastic Vinyl) Wall



Roppe Pinnacle/Pinnacle Plus Wall Base



Product Data

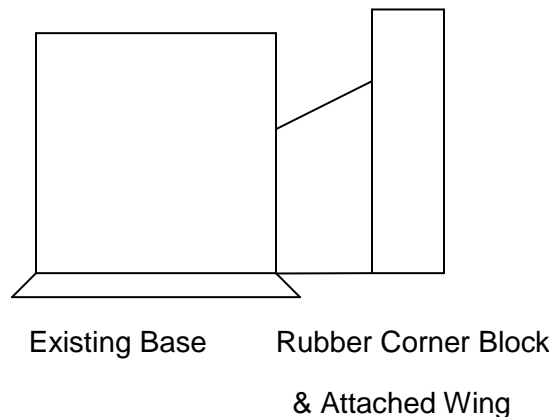
Section 9

Resilient Flooring



base manufactured in either 080" (2.03mm) and 1/8" (3.175mm). The unique design of #45's allows the base to be bonded directly over existing well bonded wall base, and hinged top-edge design is flexible enough to allow it to be installed directly against the walls surface. The existing wall base must be well bonded, clean and free of all residue, which would interfere with the bonding process. Due to the design of #45, Roppe's Rubber Corner Blocks (inside & outside) must be used. Prior to installing #45, first measure the entire width of Rubber Corner Blocks and attached Wings, and remove the same measurement from (see diagram below) existing factory or on-site corners, or trace Rubber Corner Blocks onto existing base, cut and remove. Then install Rubber Corner Blocks as noted above butting the rubber corner block wings directly against the existing wall base. Install #45 using either Roppe's ECC (Epoxy Caulking Compound), ChemRex 941 Moisture Cured Polyurethane Adhesive (available in cartridges) or All Purpose Adhesive Company's (APAC) U-984 (available in 2-gal or 5-gal pails). ROPECC and ChemRex 941 are both available in cartridges, and are to be applied in a single closely serpentine bead application covering both the backing and hinged top-edge of #45 Pinnacle Plus. APAC U-984 is to be applied with a 1/8" saw-tooth trowel covering the products entire backing, including the hinged top-edge of #45 Pinnacle Plus. Once adhesive has been applied, roll with a hand-roller.

Caution: DO NOT STRETCH the wall base. The wall base can be stretched while rolling and will later return to its original length causing gaps at the seams. Note: It is important to always roll the base in the direction toward the last piece installed. This practice will ensure a tight fit at the seams. Bond the base to the wall within 15 minutes after adhesive application and lightly roll with a hand wall base roller. Periodically check the back of the wall base to make sure good adhesive transfer occurs. At least 90% of the base must be covered with adhesive. Adhesive open time will vary upon the type of surface, temperature of the surface, ambient temperature, humidity, and proper conditioning of the adhesive.



Roppe Pinnacle/Pinnacle Plus Wall Base



Product Data

Section 9

Resilient Flooring



6.4.8 Pinnacle Plus Installation: Profiles #25, #35, #45, #50, #80, #90 & #95

Due to the gauge of Pinnacle Plus Profiles, #25, #35, #45, #50, #80, #90 & #95 on-site inside/outside corners can not be produced. Therefore, Rubber Corner Blocks must be utilized. Follow instructions and cautions listed under Rubber Corner Block Installation Instructions noted within this document.

7. Product Maintenance/Precautions

7.1 DO NOT rub or apply lateral or vertical pressure to the wall base for at least 72 hours after the installation is complete to allow the adhesive to properly cure. Some disinfectants, cleaning agents, floor maintenance products, and pesticides may stain or damage the surface of the wall base. Roppe Pinnacle, Pinnacle *Plus* Rubber Base, Rubber Corner Blocks and factory corners can be routinely cleaned by wiping with a soft cloth slightly dampened with warm water.

CAUTION: Coarse cleaning materials and/or harsh cleaning agents may damage the surface of the base. Do not allow water, solutions or cleaners of any kind to work its way between the wall base joints or top of the wall base, which can have an adverse effect on the adhesive. Always check for compatibility and performance prior to cleaning by utilizing uninstalled material or test in an inconspicuous area before proceeding to determine if the desired results can be achieved without distorting the wall base.

8. Availability and Cost

8.1 Products are available through Roppe distributors. Contact Roppe Customer Service (800) 537-9527 or visit www.roppe.com for a distributor near you.

8.2 Samples

Samples may be obtained by may be obtained by calling Roppe Customer Service at 1-800-537-9527, or by visiting www.roppe.com

9. Technical Assistance



Roppe Pinnacle/Pinnacle Plus Wall Base



Product Data

Section 9

Resilient Flooring



Technical service information and assistance may be obtained by calling Roppe Customer Service at 1-800-537-9527, or by visiting www.roppe.com

10. Limited Warranty

Roppe Corporation manufactures and markets its wall base product under the trade names Pinnacle and Pinnacle *Plus* is warranted for a period of one (1) year from date of installation to be free of defects in material and workmanship. Roppe has a three (3) year (See Limited Wear Warranty) Limited Wear Warranty on Roppe Pinnacle and Pinnacle *Plus* Wall Base for non-transit use, based by product design and installation purpose, if installed, maintained, and used strictly in accordance with Roppe's written instructions and installed with the recommended Roppe adhesive. Roppe will not warranty Pinnacle or Pinnacle *Plus* Wall Base products against fading or discoloration when exposed to direct sunlight or indirect sunlight. Refer to Roppe Product Specification Sheet before proceeding with installation. For any applications not listed, do not proceed with installation regardless of the circumstance. Instructions may be obtained from a Roppe distributor or by writing Roppe, Attention: Sales Service Manager, P.O. Box 1158, Fostoria, OH, 44830. Notice of any defect must be made in writing to Roppe within thirty (30) days after buyer learns of the defect. No merchandise is to be returned prior to Roppe's inspection and written approval. Buyer's sole and exclusive remedy against Roppe and Dealer for claims arising hereunder for any and all losses and damages resulting from any cause shall be a pro rata credit based on the period remaining in this Limited Warranty toward the purchase of new Roppe Pinnacle or Pinnacle *Plus*. Replacement credit shall be equal to the proportion of Limited Warranty time remaining multiplied by the current price of Roppe Pinnacle or Pinnacle *Plus*. In no event shall Roppe be liable for incidental or consequential damages, even if some other provision of this Limited Warranty is unenforceable. Buyer waives all other claims and remedies of any nature. Roppe Pinnacle or Pinnacle *Plus* is not designed for use in or near commercial kitchens or for outdoors use. Roppe shall have no liability whatsoever to Buyer in the event the goods become defective if such defect is caused in whole or part by cuts, tears, vandalism, fire, willful destruction, damage from high heels, spiked footwear, improper installation, improper maintenance, subfloor and/or substrate irregularities, accidents, natural causes, or acts of God. Roppe will not be liable for labor costs or lost profits resulting from the use of or inability to use the product. Roppe will not be liable for labor costs for material that is installed with obvious defects. Products designated as "seconds", "mill run", "non-conforming", not being of first quality, are sold as-is and Roppe makes no warranties whatsoever, expressed or implied, with respect thereto, including warranties of merchantability or fitness for a particular use. These warranties are expressly in lieu of any other warranties expressed or implied. By retaining Roppe's merchandise for more than five (5) days after receipt of such merchandise, Buyer agrees that it accepts the terms of this Limited Warranty and that there are no warranties or rights beyond those contained herein. All claims must be made in writing and sent to Roppe, Attn: Claims Manager, P.O. Box 1158, Fostoria, Ohio, 44830. All claims for surface defects or variations in color or pattern must be delivered to Roppe in writing before the product is installed. Roppe will not accept the return of any product without prior written approval of the Roppe Claims Department.

* Limited Wear Warranty Terms (Products: Pinnacle and Pinnacle *Plus* Wall Base)



Roppe Pinnacle/Pinnacle Plus Wall Base



Product Data

Section 9

Resilient Flooring



If excessive wear is suspected, the original purchaser must notify Roppe Corporation in writing and permit an inspection of the flooring material. If Roppe Corporation determines excessive wear, and the flooring material has been properly installed and maintained, Roppe Corporation will replace the flooring material based on the following terms:

A. Terms

- a. Within One-Year: If excessive wear is determined by Roppe within one (1) year of installation, Roppe will furnish new material of the same or similar style and color sufficient to repair or place the defective material. Roppe will also pay reasonable labor cost once submitted in writing and approved.
- b. Within Two-Years: If excessive wear is determined by Roppe within two (2) years of installation, Roppe will furnish new material of the same or similar style and color sufficient to repair or place the defective material. Roppe will also pay fifty-percent (50%) of reasonable labor cost once submitted in writing and approved.
- c. After Two-Years & Within Three-Years: If excessive wear is determined by Roppe after two (2) years and within three (3) years of installation, Roppe will furnish new material of the same or similar style and color sufficient to repair or place the defective material. Roppe will not pay labor cost for material installed after two (2) years and within three (3) years of installation.

7-09

