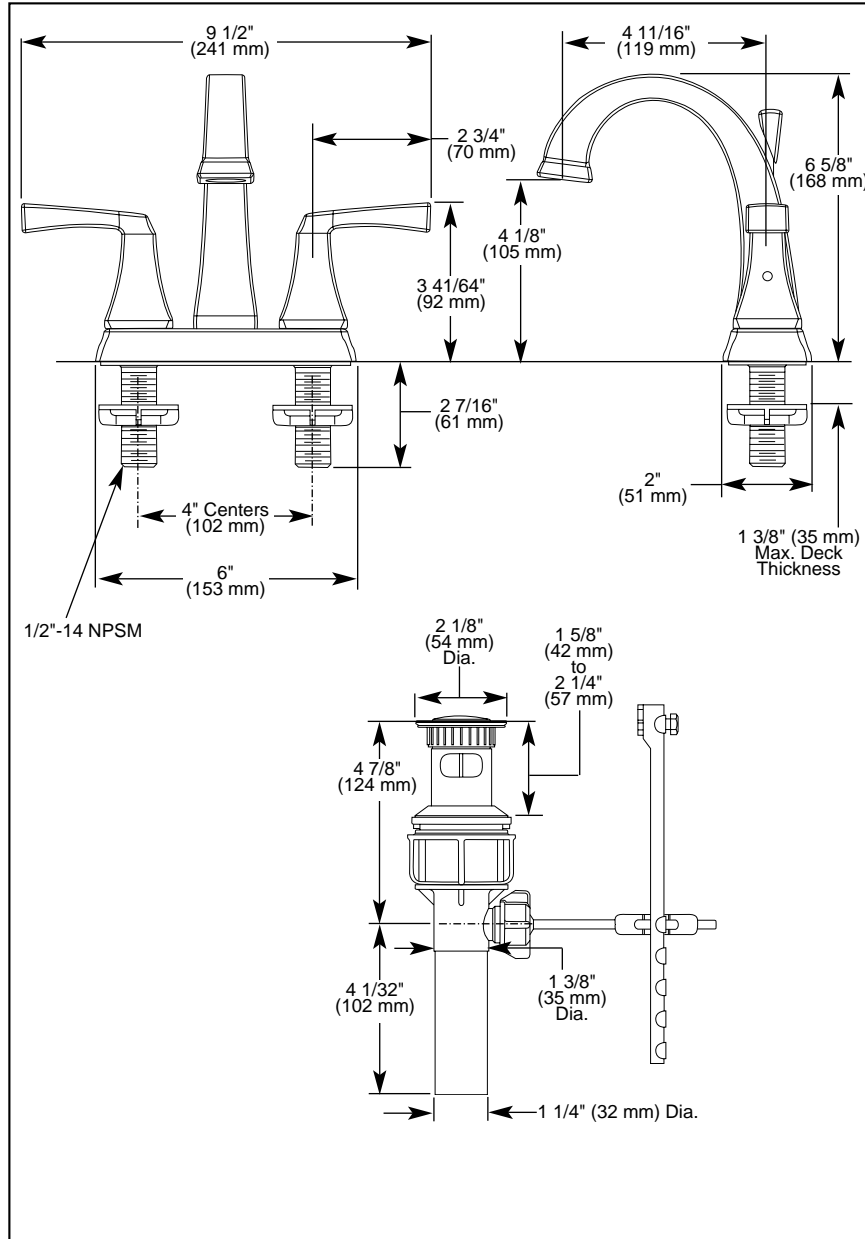


25930



Submitted Model No.: \_\_\_\_\_

Specific Features: \_\_\_\_\_



# LAVATORY FAUCETS

- Barrington™ Bath Collection
- Two Handle Deck Mount
- 3 Hole Sink Applications
- 4" Centerset

## STANDARD SPECIFICATIONS:

- Solid brass fabricated body.
- 4" (102 mm) centerset.
- 4 11/16" (119 mm) long, 6 5/8" (168 mm) high rigid spout.
- 1/4 turn handle stops.
- Hot and cold stems are interchangeable.
- Control mechanism is replaceable cartridge with rotating ceramic plates.
- 1/2"-14 NPSM threaded male inlet shanks.
- Models have drain with pop-up type fitting with plated flange and stopper.

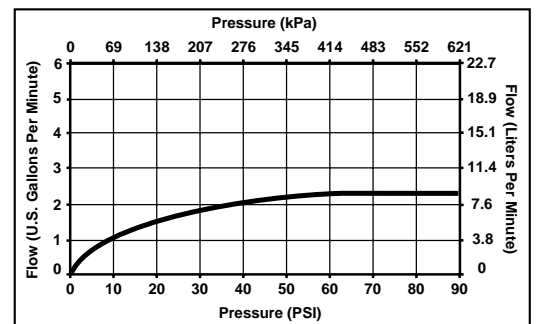
## WARRANTY

- Lifetime Faucet and Finish Limited Warranty to the original consumer purchaser to be free from defects in material and workmanship.
- 5 Year Limited Warranty for usage in all industrial, commercial and business applications.



## COMPLIES WITH:

- ASME A112.18.1 / CSA B125.1
- ASME A112.18.2 / CSA B125.2
- Indicates ADA compliance to ICC/ANSI A117.1
- IAPMO Listed
- CSA Certified



Delta reserves the right (1) to make changes in specifications and materials, and (2) to change or discontinue models, both without notice or obligation. Dimensions are for reference only. See current full-line price book or [www.specselect.com](http://www.specselect.com) for finish options and product availability.

DSP-L-25930 REV. A



55 E. 111th Street, Indianapolis, Indiana 46280  
 395 Matheson Blvd. E., Mississauga, ON L4Z 2H2  
 © 2007 Masco Corporation of Indiana