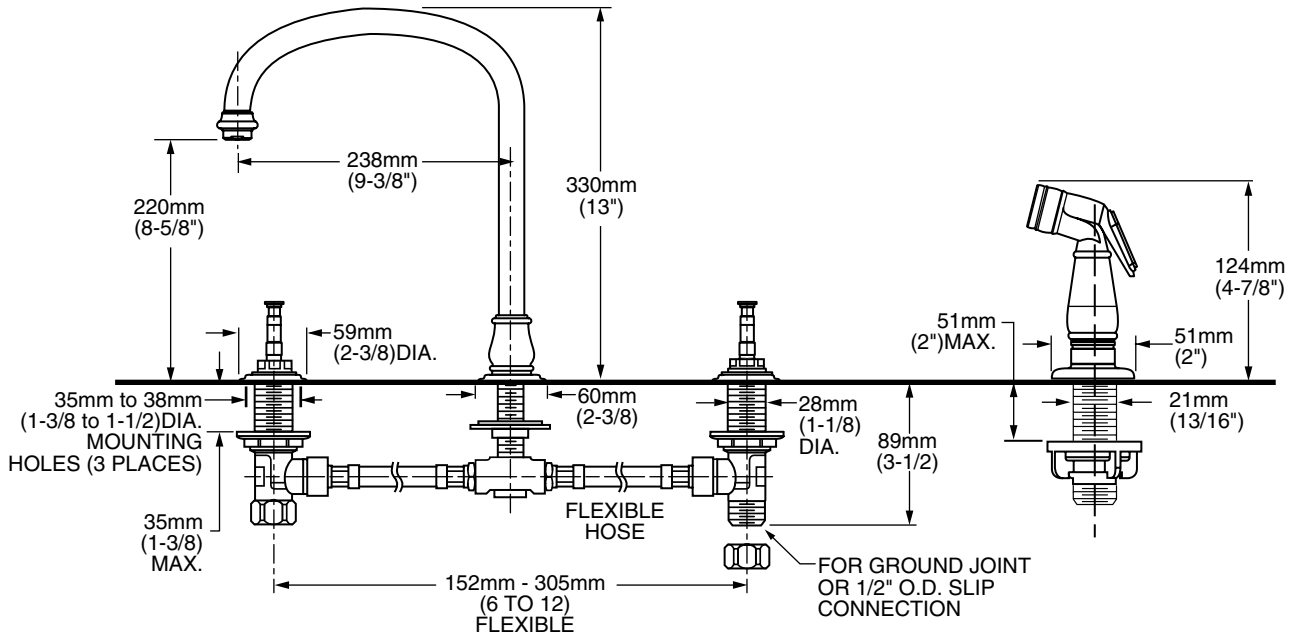


4751.722 Shown

MODEL NUMBER:

- 4751.712 Bottom-Mount Kitchen Faucet**
 Color-matched Handspray. Porcelain lever handles.
- 4751.722 Bottom-Mount Kitchen Faucet**
 Color-matched Handspray. Metal cross handles.
- 4751.732 Bottom-Mount Kitchen Faucet**
 Color-matched Handspray. Metal lever handles.



GENERAL DESCRIPTION:

Durable brass construction. 1/4 turn washerless ceramic disc valve cartridges - reversible for use with either lever or cross handles. Brass 22mm (7/8") diameter swivel spout. One -half inch male inlet shanks with brass coupling nuts. 2.2 gpm/8.3 L/min. maximum flow rate. Color-matched hand spray. Cap provided for less spray applications.

PRODUCT FEATURES:

Ceramic Disc Valve Cartridges: Assures a lifetime of drip-free performance.

Brass Construction and Cast Brass Waterway: Durable - Excellent in high use applications. Ideal for prolonged contact with water.

Larger Spout: Increased spout height, reach and diameter.

Low Lead: Meets NSF Standard 61/Section 9 & Prop 65 lead requirements.

Choice of Finishes: Available in a wide range of durable finishes.

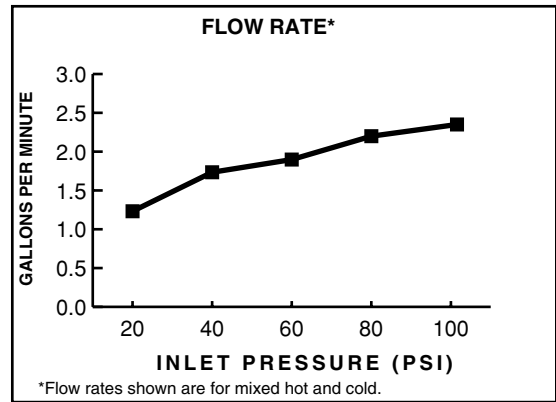
SUGGESTED SPECIFICATION:

Two handle bottom-mount kitchen faucet shall feature brass construction with all brass inlet shanks and coupling nuts. Brass swivel spout. Shall also feature 1/4 turn washerless ceramic disc valve cartridges that are reversible for use with cross or lever handles. Fitting shall be American Standard Model # _____.

CODES AND STANDARDS

These products meet or exceed the following codes and standards:

- ASME A112.18.1**
- CSA B 125**
- NSF 61/Section 9**



Product Number	Description	Finish Options		
		Polished Chrome	PVD Polished Brass	PVD Satin Nickel
		002	099	295
4751.712	Kitchen faucet. Color-matched Handspray. Porcelain lever handles.			
4751.722	Kitchen faucet. Color-matched Handspray. Metal cross handles.			
4751.732	Kitchen faucet. Color-matched Handspray. Metal lever handles.			

N/A = NOT AVAILABLE

Meets the American Disabilities Act Guidelines and **ANSI A117.1** Requirements for the physically challenged.