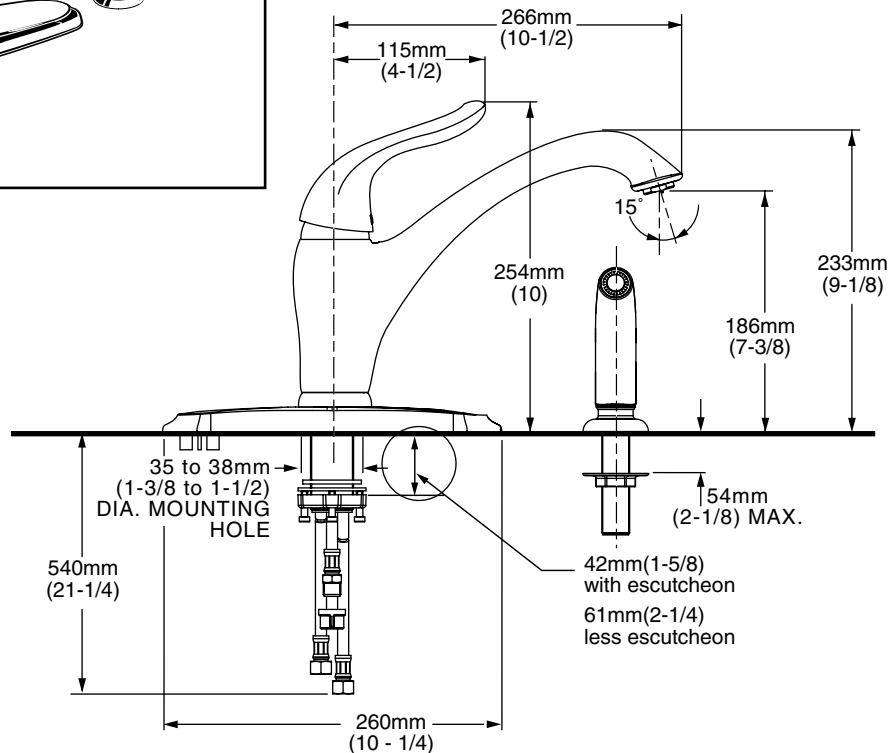


MODEL NUMBER:

- ☐ **4114.001 Kitchen Faucet**
 Color matched handspray. Escutcheon plate (installation is optional).



GENERAL DESCRIPTION:

Cast brass body and swivel spout. Metal escutcheon plate and metal lever handle. Washerless 40mm ceramic disc valve cartridge. Braided flexible supply hoses with 3/8" compression connections. 2.2 gpm/8.3L/min. maximum flow rate. Brass mounting shank with brass fixation ring. Can be mounted with or without supplied escutcheon plate (escutcheon size 10-1/4"L x 2-1/2"W). Color-matched hand spray. Cap provided for less spray applications

PRODUCT FEATURES:

- Ceramic Disc Valve Cartridge:** Assures smooth, precise valve control and a lifetime of drip-free, maintenance-free performance.
- Cast Brass Spout:** Highest quality materials for durability and long life.
- Memory Position Valving:** Allows user to turn valve on and off at preferred temperature setting without readjusting handle position each time.
- Low Lead:** Meets NSF Standard 61/Section 9 & Prop 65 lead requirements.
- Choice of Finishes:** Choice of Polished Chrome or Stainless Steel (PVD).

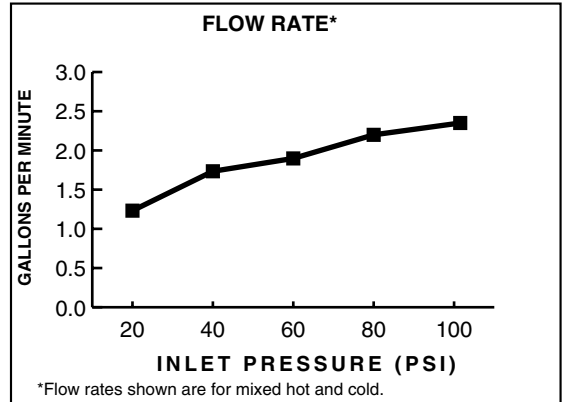
SUGGESTED SPECIFICATION:

Single control kitchen faucet shall feature a cast brass body and cast brass swivel spout. Metal escutcheon plate, and metal lever handle. Shall also feature washerless ceramic disc valve cartridge, and flexible hose supplies. Fitting shall be American Standard Model # 4114.001. ____ .


CODES AND STANDARDS

These products meet or exceed the following codes and standards:

- ANSI A117.1**
- ASME A112.18.1**
- CSA B 125**
- NSF 61/Section 9**



| Product Number | Description | Finish Options | |
|----------------|----------------------------|-----------------|---------------------|
| | | Polished Chrome | PVD Stainless Steel |
| | | 002 | 075 |
| 4114.001 | Kitchen faucet. Handspray. | | |

 Meets the American Disabilities Act Guidelines and **ANSI A117.1** Requirements for the physically challenged.