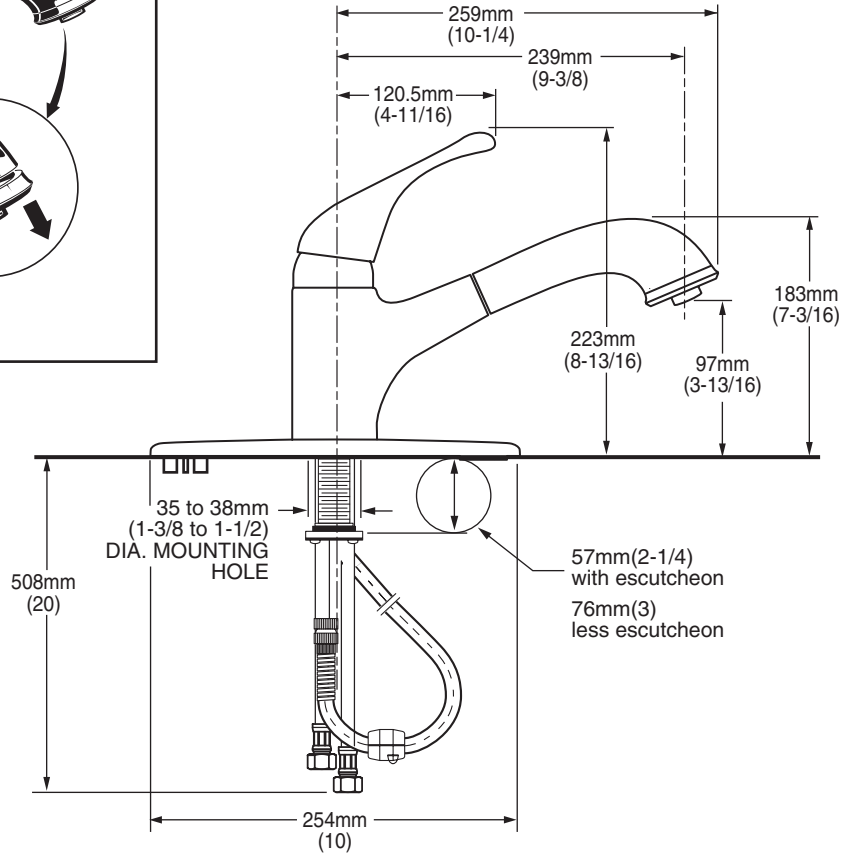




MODEL NUMBER:

- 4175.100 Kitchen Faucet with Pull-out Spray**
Escutcheon plate (use is optional).



GENERAL DESCRIPTION:

Metal handle, and escutcheon plate. Swivel pull-out spray spout. Adjustable spray pattern with pull down activation. No visible toggle or button. Washerless 47mm ceramic disc valve cartridge with integral hot limit safety stop. Braided flexible supply hoses with 3/8" compression connections. Brass mounting shank with brass fixation ring. Complete with two integral check valves. 2.2 gpm/8.3L/min. maximum flow rate. Fitting can be mounted with or without escutcheon plate (escutcheon size 10"L x 2-3/4"W).

PRODUCT FEATURES:

Ceramic Disc Valve Cartridge: Assures smooth, precise valve control and a lifetime of drip-free, maintenance-free performance.

Memory Position Valving: Allows user to turn valve on and off at preferred temperature setting without readjusting handle position each time.

Adjustable Hot Limit Safety Stop: Limits the amount of hot water allowed to mix with cold. Reduces the risk of accidental scalding.

Low Lead: Meets NSF Standard 61/Section 9, Annex G, & Prop 65 lead requirements.

Integral Check Valves: Prevents back flow.

Pull-out Spray Spout: Switches water flow from a stream to a spray. Simplifies even the most difficult cleaning tasks.

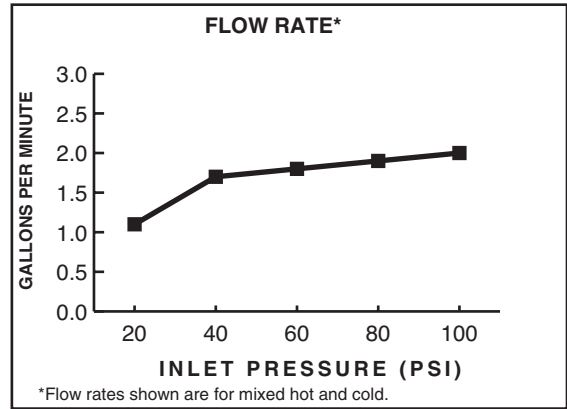
SUGGESTED SPECIFICATION:

Single control kitchen pull-out faucet shall feature a swivel pull-out spray spout with two check valves, metal escutcheon plate and handle. Shall also feature washerless ceramic disc valve cartridge with integral hot limit safety stop and flexible supply hoses. Faucet shall be American Standard Model # 4175.100._____.

CODES AND STANDARDS

These products meet or exceed the following codes and standards:

- ANSI A117.1**
- ASME A112.18.1**
- NSF 61/Section 9 & Annex G**
- CSA B125**



Product Number	Description	Finish Options*		
		Polished Chrome	Stainless Steel (PVD)	White Heat
		002	075	208
4175.100	Pull-out kitchen faucet.			



Meets the American Disabilities Act Guidelines and **ANSI A117.1** Requirements for the physically challenged.