



Dutch Doors

(rev. 6.21.06)

Copyright © 2006 by Pacific Architectural Millwork

All rights reserved. No part of this manual may be reproduced or transmitted in any form or by any means without permission by Pacific Architectural Millwork.

Dutch Doors

Section Contents

Product Overview	2
Exterior Elevation	3
Vertical Section	4
Plan Section	5
Jamb Detail.....	6
Head Detail.....	7
Sill Detail	8
Mid Rail Detail.....	9

Product Overview



Introduction

The Dutch door continues to grow in popularity as people re-discover the charm, utility, and beauty of this classic product. It can function like a traditional door, but it also has an upper panel that opens while the bottom panel remains closed, making this door a perfect solution in good weather or bad. Pacific Architectural Millwork offers a premium Dutch door that can be customized with either wood or glass panels above or below, and configured for in-swing or out-swing usage. Choose from a wide variety of options such as decorative glazing or custom grille patterns. Whatever your selection, your Dutch door will enhance any living space and provide you with years of enjoyment and convenience.

Hardware Options

Handle sets and locks are available but not standard on our door systems.

Glazing Options

Standard glazing for the Dutch door uses tempered insulated glass. Custom glazing and tinted glass are also available.

We offer two different edge details:

- Contemporary
- Traditional

See the General Info section for more details.

Wood Species

Our standard wood species are the following:

- Pine
- Vertical Grain Douglas Fir
- Mahogany

Alternative and exotic wood species are also available.

Other Options

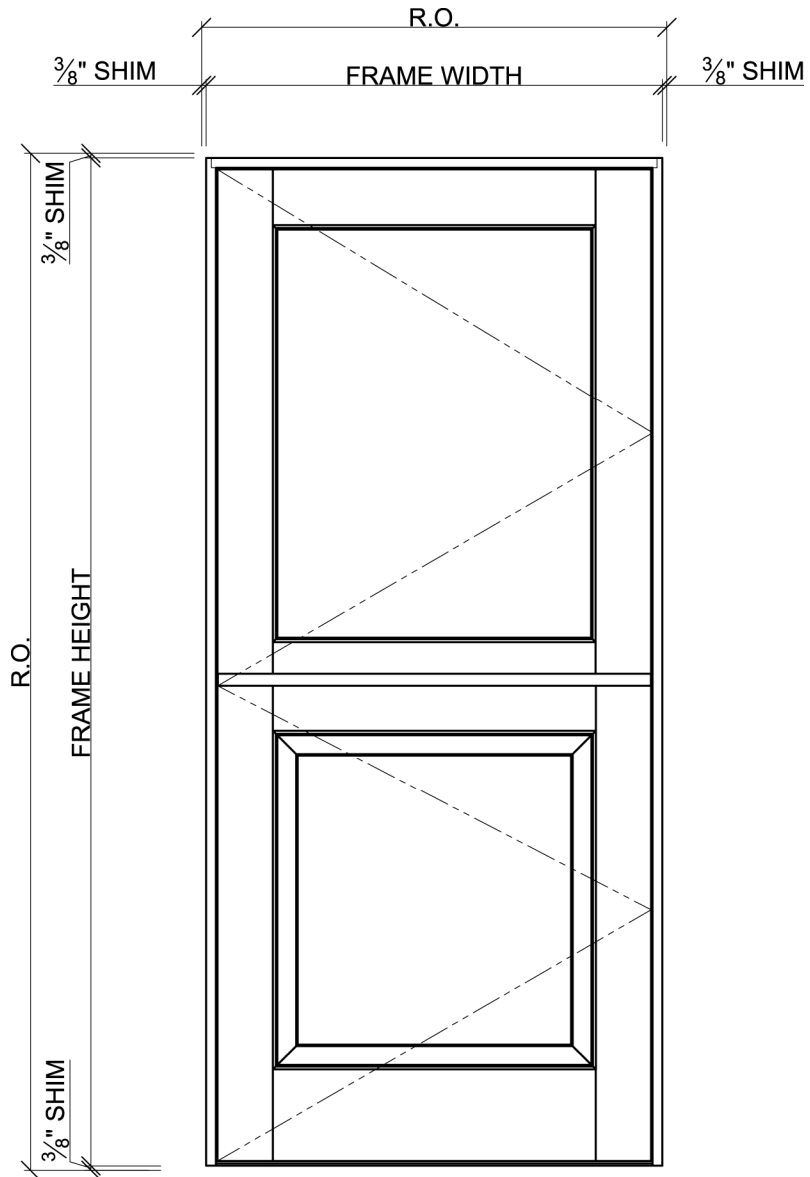
The Dutch door is available with custom options such as raised wood panels, specialty woodcarving, or unique grille patterns for glass panels.

Contact Pacific Architectural Millwork for additional options and customization.

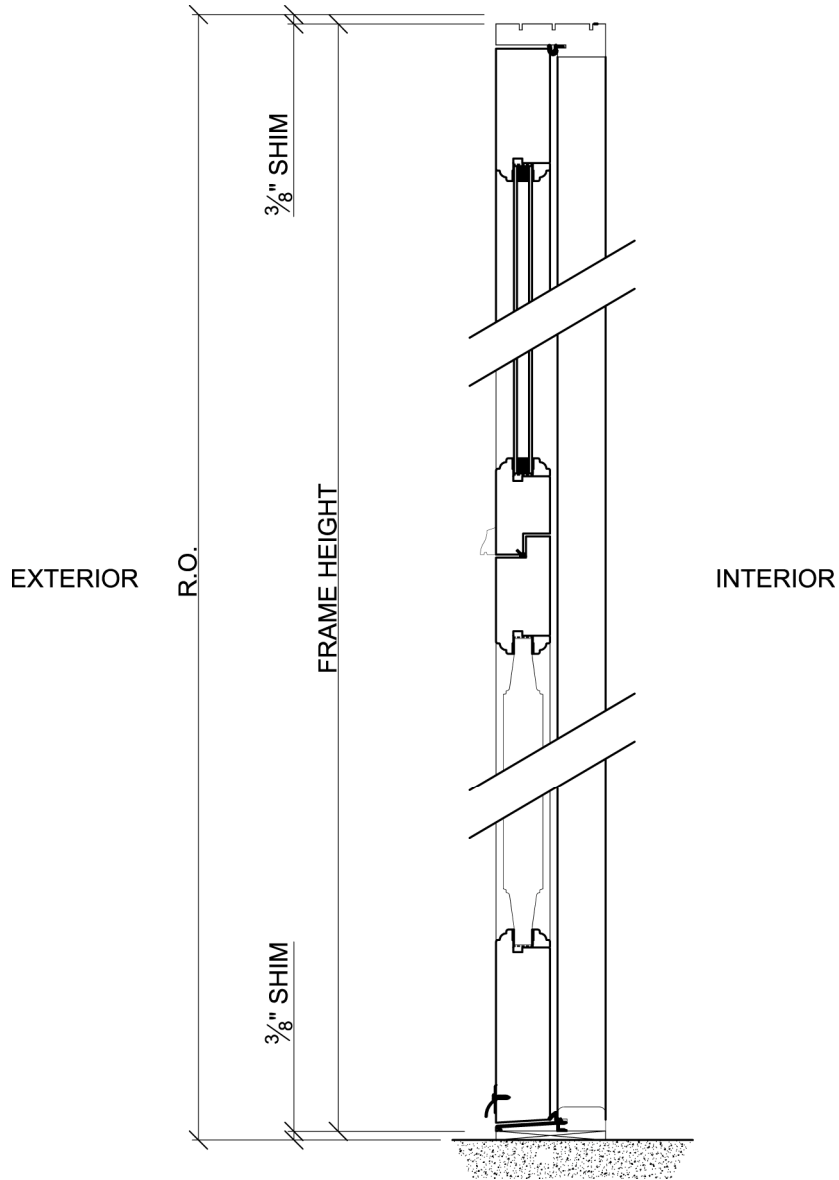
Product Parameters:

Min Height:	6'8"
Max Height:	9'
Min Width:	24"
Max Width:	42"
Min. Stile Width:	5 1/2"
Panel Thickness:	2 1/4" or 2 1/2"
Stiles/Top Rail Width:	5 1/2"
Bottom Rail Width:	8"

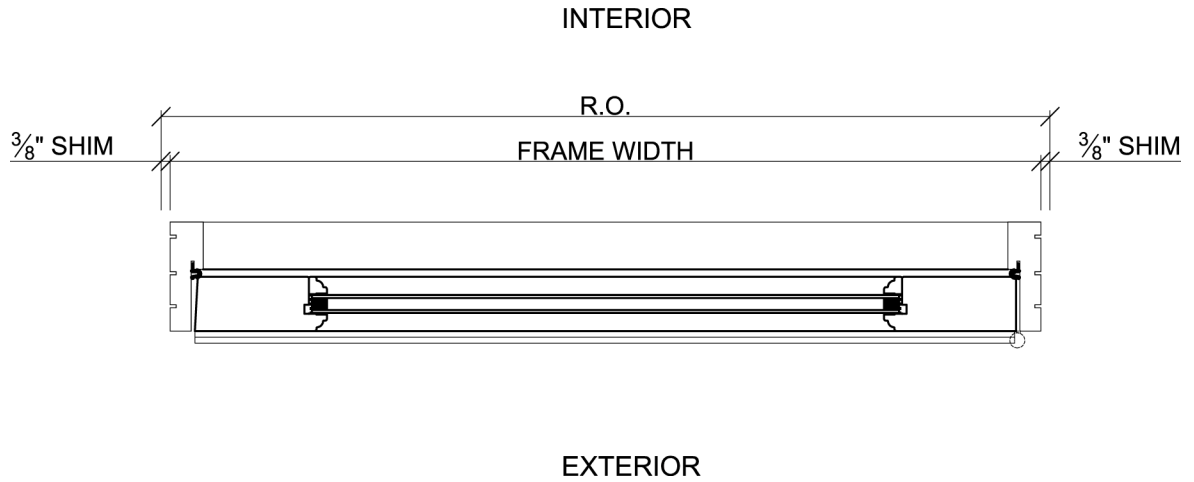
Exterior Elevation



Vertical Section

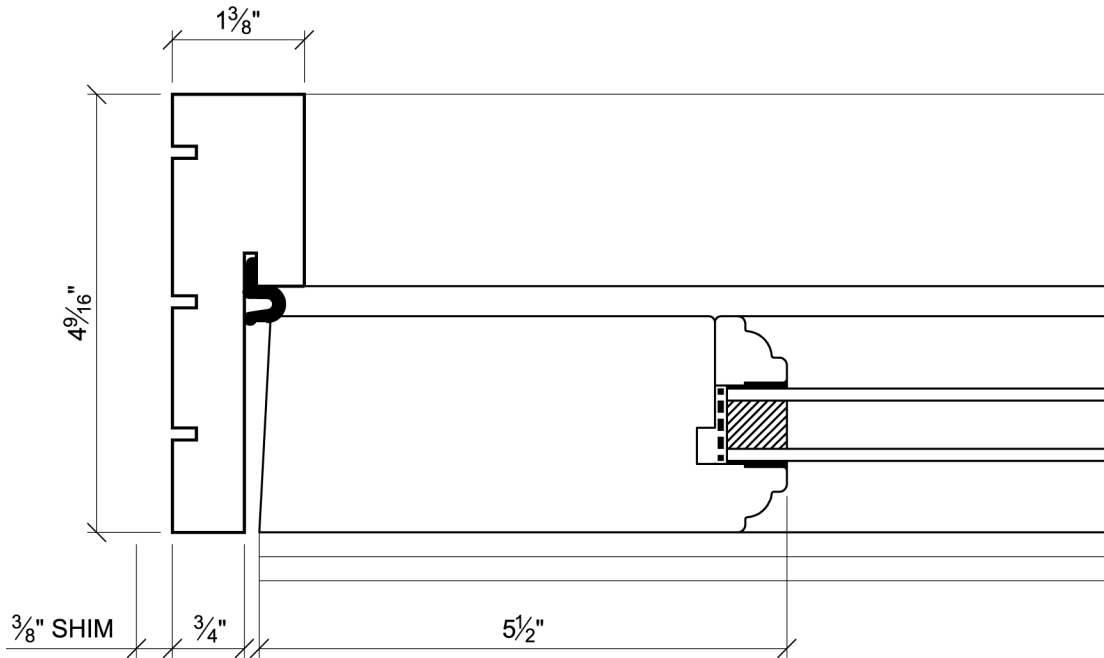


Plan Section



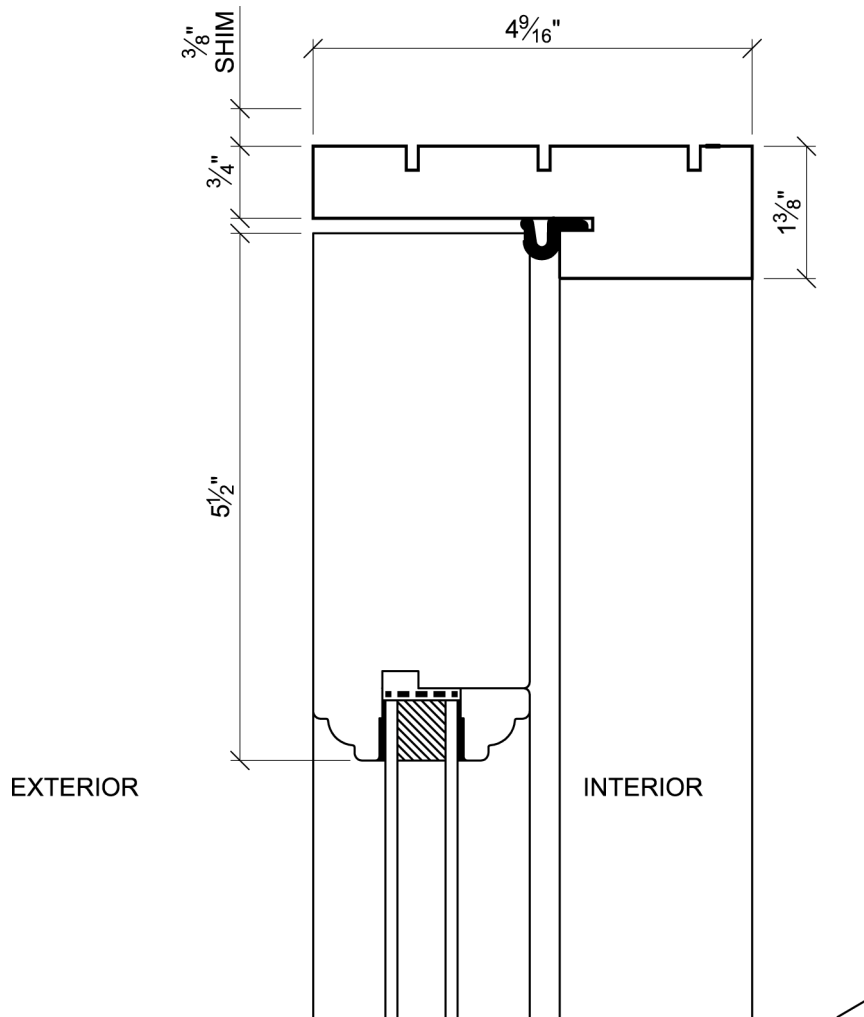
Jamb Detail

INTERIOR

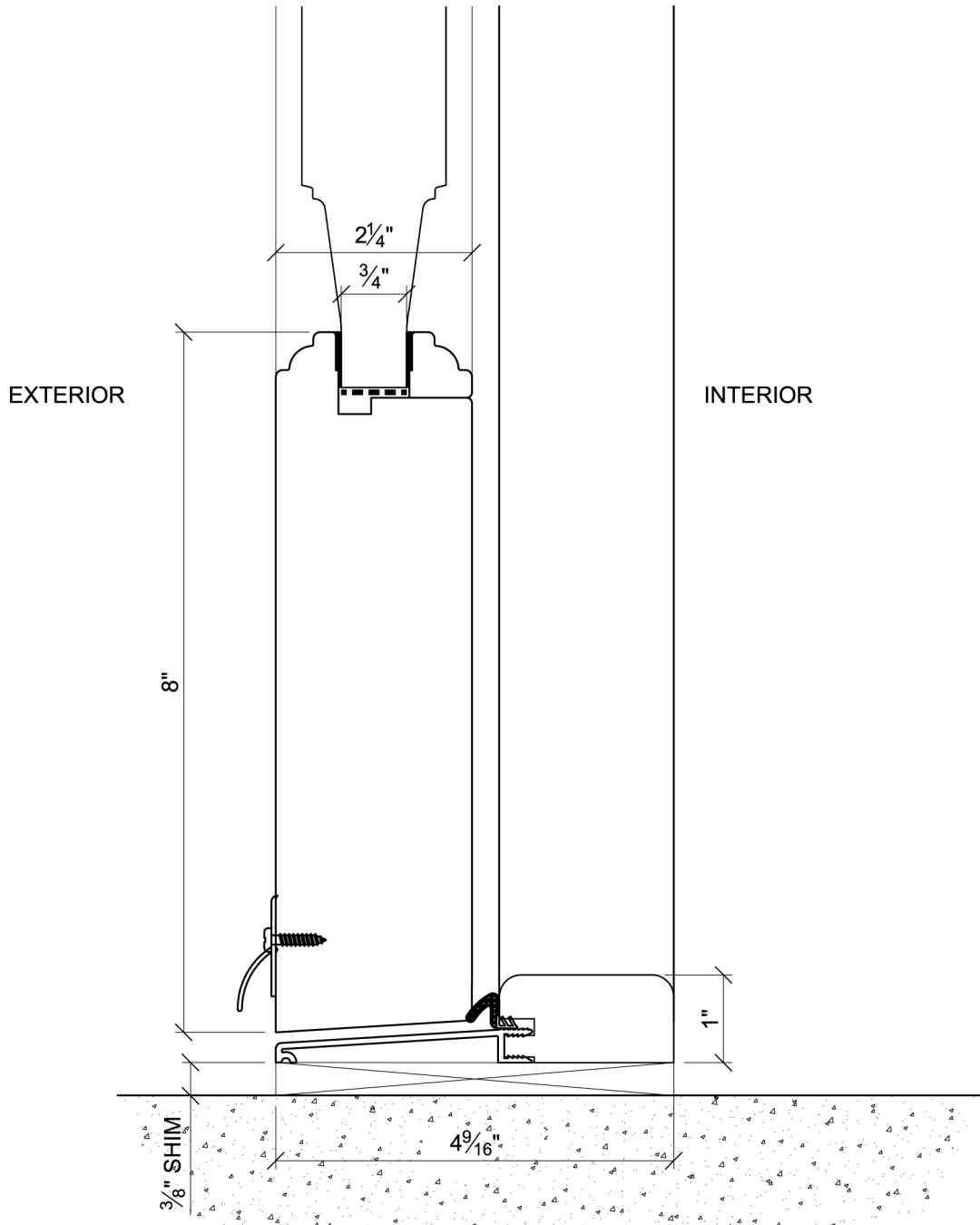


EXTERIOR

Head Detail



Sill Detail



Mid Rail Detail

