

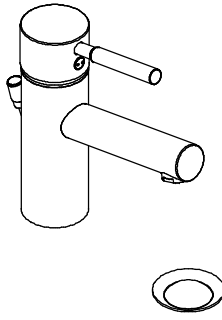
COMPLIES WITH:
ANSI/ASME A112.18.1
CSA B125
IAPMO Listed
CSA Certified
ICC/ANSI A117.1/ADA



CSA B125
ASME A112.18.1
ICC/ANSI A117.1



Model
6514521
Shown



LAVATORY FAUCETS

- Quiescence™ Single Handle
- 1 Hole Applications
- Wenge & Maple Wood Handle Accents
- Optional Vessel Sink Risers

Submitted Model No.: _____

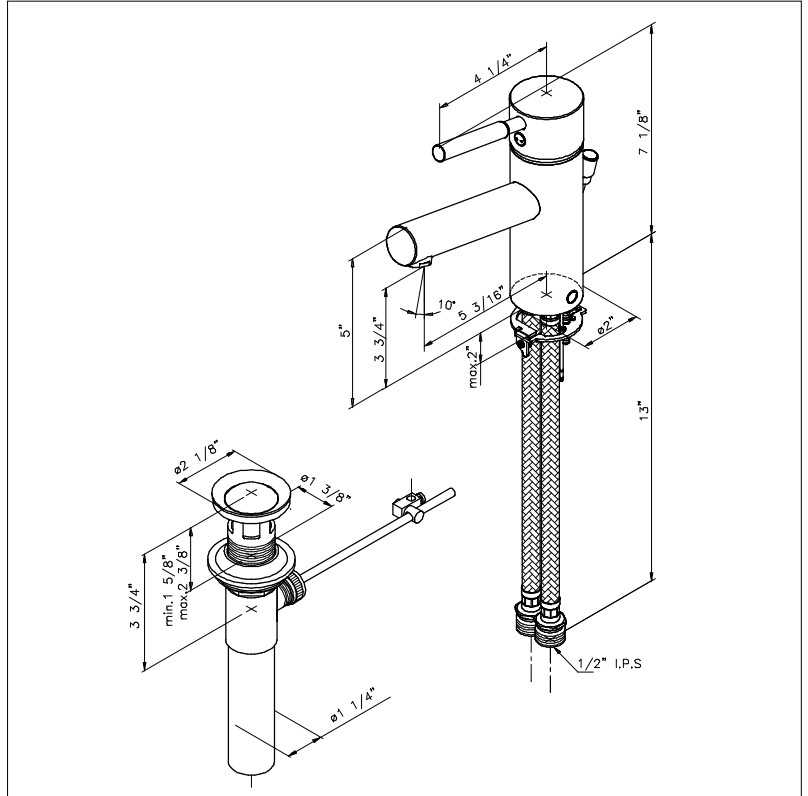
Specific Features: _____

STANDARD SPECIFICATIONS

- Single handle Lavatory faucet for concealed mounting on 1 hole applications.
- Control mechanism shall be of rotating ceramic cartridge type.
- Recommend 1 1/2" hole size.
- Metal drain has pop-up type fitting with plated flange and stopper.
- The back edge of the faucet body must be at least 1 1/2 inches from the backsplash on wall in order to allow the lift rod to function properly.
- Optional push button drain available RP6949570 or RP6949572.
- Easy to install top down mounting.
- Optional vessel sink riser (5 1/2") RP6914299 or (3") RP6914298

AVAILABLE FINISHES

Suffix	Finish
BN	Brilliance® Brushed Nickel
PC	Polished Chrome
BZ	Brilliance® Brushed Bronze



Gals./Min	0.5	1.0	1.5	2.0	2.5	3.0	10.0	10.5	12.0	17.5	18.0	19.0	psi	60.0	80.0
Ltrs./Min	1.9	3.8	5.7	7.6	9.5	11.4	38.0	40.0	45.0	66.0	68.0	72.0	kPa	414	551

Standard Features	PC	BN	BZ
Hydro custom ceramic cartridge	◆	◆	◆
Flexible connection hoses	◆	◆	◆
Metal pop-up drain	◆	◆	◆
1/2" I.P.S. adapters	◆	◆	◆
Wenge & maple wood handle accents	◆	◆	
Top down mounting	◆	◆	◆

