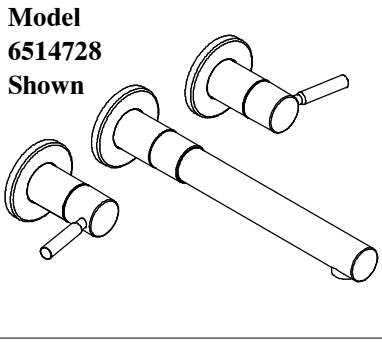


**COMPLIES WITH:**  
 ANSI/ASME A112.18.1  
 CSA B125  
 IAPMO Listed  
 CSA Certified  
 ICC/ANSI A117.1/ADA



CSA B125  
 ASME A112.18.1  
 ICC/ANSI A117.1



# LAVATORY FAUCETS

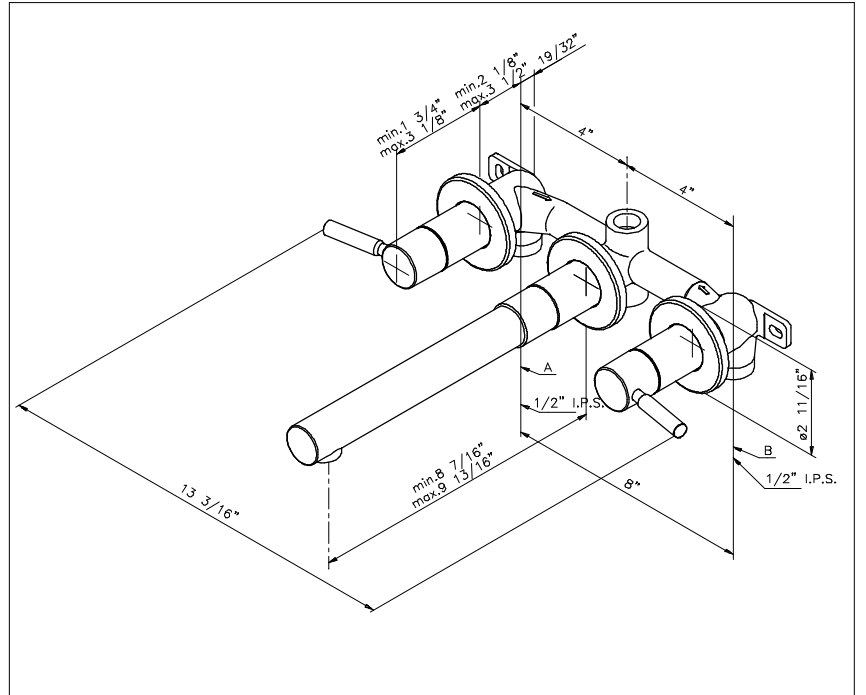
- Quiescence™ Two Handle Wall-Mounted Lavatory Valve
- 3 Hole Applications
- 8" Center
- Temperature and Volume Controlled With Handles.
- Solid Metal Spout
- Wenge & Maple Wood Handle Accent

Submitted Model No.: \_\_\_\_\_

Specific Features: \_\_\_\_\_

## STANDARD SPECIFICATIONS

- Two handle Lavatory faucet for concealed mounting in 3 hole wall applications.
- Solid metal spout.
- Control mechanism shall be of rotating ceramic cylinder type with 90° (1/4 turn) rotation.
- 8" Center, 4" distance between holes.
- 1 1/2" Recommended hole size.
- Adjustable roughing in dimensions: 2 1/8" to 3 1/2".
- 1/2" I.P.S. Inlets.
- Optional push button drain available RP6949570 or RP6949572.



## AVAILABLE FINISHES

Suffix	Finish
BN	Brilliance® Brushed Nickel
PC	Polished Chrome
BZ	Brilliance® Brushed Bronze

## Metric Conversion Chart

Gals./Min	0.5	1.0	1.5	2.0	2.5	3.0	10.0	10.5	12.0	17.5	18.0	19.0	psi	60.0	80.0
Ltrs./Min	1.9	3.8	5.7	7.6	9.5	11.4	38.0	40.0	45.0	66.0	68.0	72.0	kPa	414	551

Standard Features	PC	BN	BZ
Washerless ceramic valving	◆	◆	◆
8 7/16" to 9 13/16" metal spout	◆	◆	◆
1/2" I.P.S. connections	◆	◆	◆
Wenge & Maple Wood handle accents	◆	◆	

