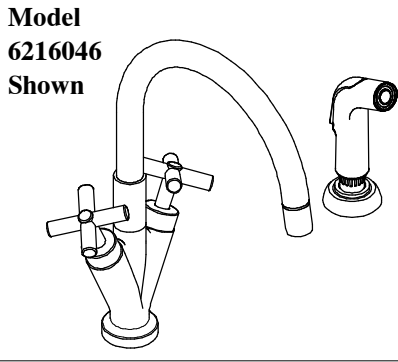


COMPLIES WITH:
ANSI/ASME A112.18.1
CSA B125.1
ICC/ANSI A117.1/ADA



IAPMO Listed
CSA Certified



KITCHEN FAUCETS

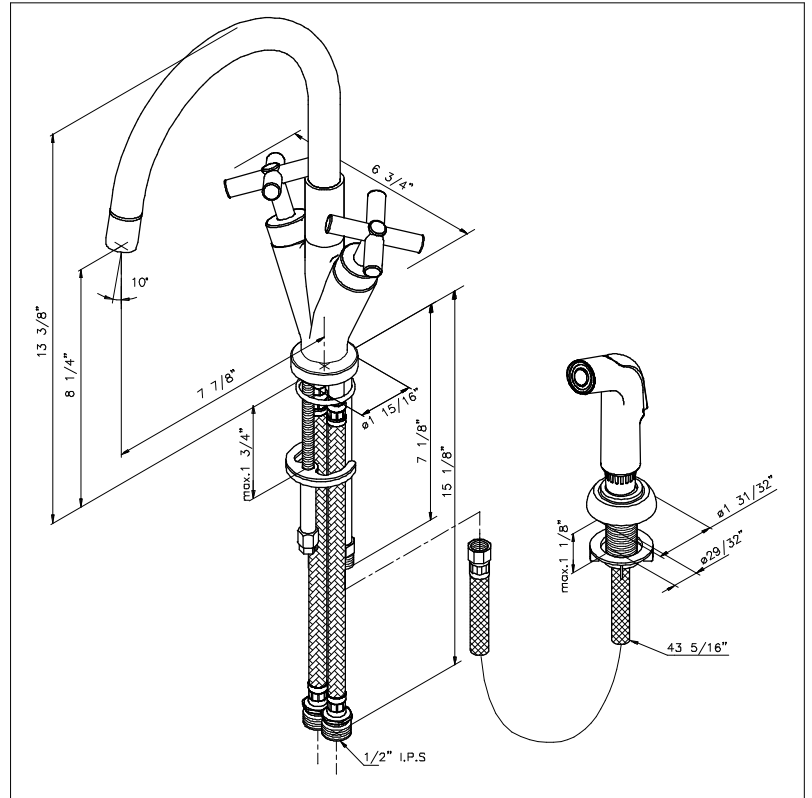
- Trevi™ Cross Two Handle
- 2 Hole Applications
- With Spray

Submitted Model No.: _____

Specific Features: _____

STANDARD SPECIFICATIONS

- Two handle kitchen faucet for concealed mounting on 2 hole applications.
- Control mechanism shall be of the rotating ceramic cylinder type with 90° (1/4 turn) rotation.
- Spray attachment has anti-siphon device as integral part of valve body.
- Solid brass fabricated body.
- Recommend 1 1/4" hole size.
- Minimum 6" distance between holes.
- Adjustable swivel spout.
- RP13936 Optional Escutcheon available for 8" mounting applications.



AVAILABLE FINISHES

Suffix	Finish
BN	Brilliance® Brushed Nickel
PC	Polished Chrome

Metric Conversion Chart

US Gals./Min	0.5	1.0	1.5	2.0	2.5	3.0	10.0	10.5	12.0	17.5	18.0	19.0	psi	60.0	80.0
L/Min	1.9	3.8	5.7	7.6	9.5	11.4	38.0	40.0	45.0	66.0	68.0	72.0	kPa	414	551

Standard Features	
Washerless ceramic valving	◆
Flexible connection hoses	◆
With spray	◆
1/2" I.P.S. Adapters	◆
Sprayer finish matches faucet finish	◆

