

**DESCRIPTION**

- Metal construction with chrome plated, LifeShine® brushed nickel, nickel, wrought iron or oil rubbed bronze finish
- 3/4" IPS connection
- Includes four single-function body sprays
- Includes 10" rainshower showerhead, arm and flange
- Includes single function hand shower with 69" hose assembly, drop ell and wall bracket
- For use with S936 3/4" thermostatic and S956 volume control valves
- With integral checkstops

**OPERATION**

- Flow lever operates counterclockwise through a 90 degree arc with off at 6 o'clock and maximum flow at the 3 o'clock position. Shut off in clockwise direction
- Temperature lever operates through a 340 degree arc with maximum cold at full clockwise rotation and maximum hot at full counterclockwise rotation
- Safety stop preset temperature at 105 degrees F ( 41 degrees C)
- Safety stop override allows maximum temperature at 120 degrees F (49 degrees C)
- Factory established temperature range from 70 degrees F (21 degrees C) to 120 degrees F (49 degrees C)

**FLOW**

- Showerhead, bodysprays and handshower are limited to 2.5 gpm (9.5 L/min)

**CARTRIDGE**

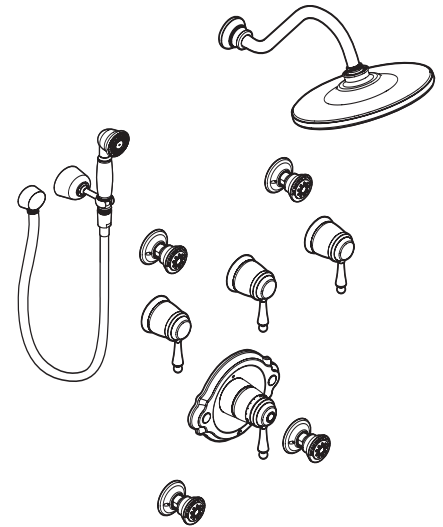
- 130156 thermostatic cartridge design with non metallic/nonferrous materials
- 130157 volume ceramic disc cartridge design

**STANDARDS**

- Third party certified to meet CSA B-125, ASME A112.18.1M and all applicable requirements referenced therein including ASSE1016

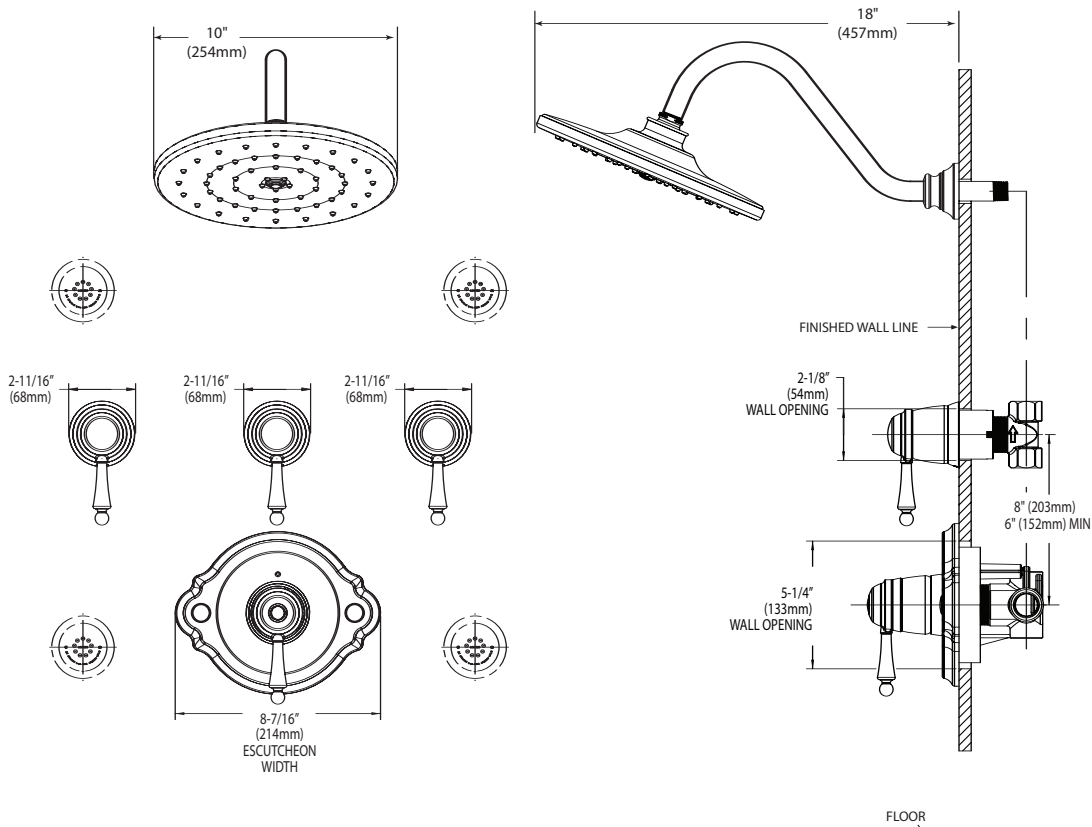
**WARRANTY**

- Lifetime limited warranty against leaks, drips and finish defects to the original consumer purchaser
- 5 year warranty if used in commercial installations



**WATERHILL®  
Thermostatic Vertical Spa Trim**

**Models:** TS516, TS516BN, TS516NL,  
TS516ORB, TS516WR



**CRITICAL DIMENSIONS**

(DO NOT SCALE)

**DESCRIPTION**

- Metal construction with a chrome plated, LifeShine<sup>®</sup> Brushed Nickel, Nickel, Wrought Iron or Oil Rubbed Bronze finish
- For use with S956 3/4" volume control valve

**OPERATION**

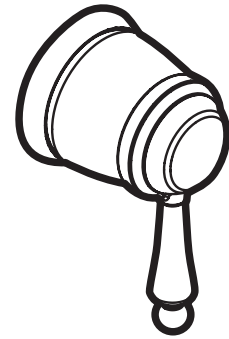
- Lever style handle operation

**STANDARDS**

- Third party certified by CSA to meet CSA B-125, ASME A112.18.1M and all applicable requirements referenced therein

**WARRANTY**

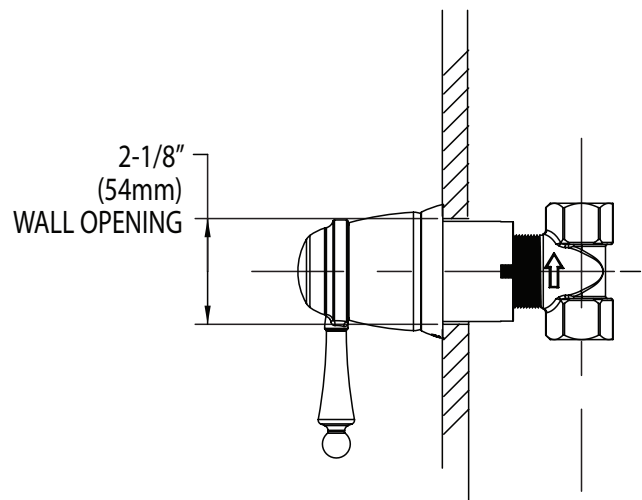
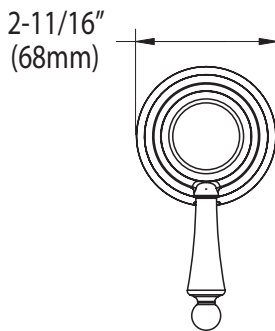
- Lifetime limited warranty against leaks, drips and finish defects to the original consumer purchaser
- 5 year warranty if used in commercial installations



**WATERHILL<sup>®</sup>**  
**Single Function Flow Valve Trim**

**Models:** TS514, TS514BN, TS514NL,  
TS514ORB, TS514WR

**Valve:** S956



**CRITICAL DIMENSIONS**

(DO NOT SCALE)



Buy it for looks. Buy it for life.®

# Specifications

## FAUCET DESCRIPTION

- Metallic spray face and shell
- Brass swivel ball assembly
- Available in chrome plated, LifeShine® Polished Brass, Satine™, Antique Nickel, Oil Rubbed Bronze, Classic Gold™ Nickel, Brushed Nickel, LifeShine® Brushed Bronze, Platinum or Wrought Iron finish

## OPERATION

- Single spray function

## FLOW

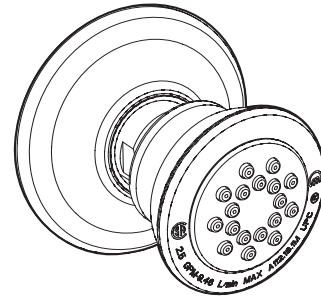
- Designed to deliver 2.5 gpm max (9.5 L/min) at 80 psi

## STANDARDS

- Designed and manufactured to comply with the requirements of: CSA B125 and ASME A112.18.1M and all requirements referenced therein

## WARRANTY

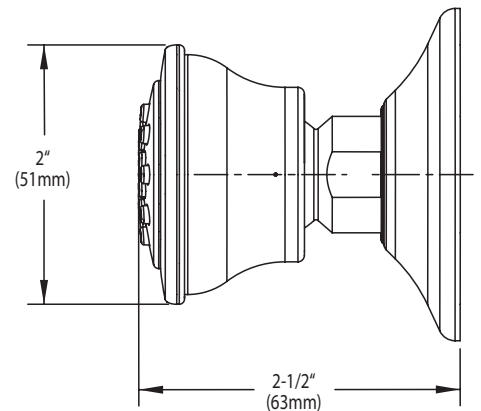
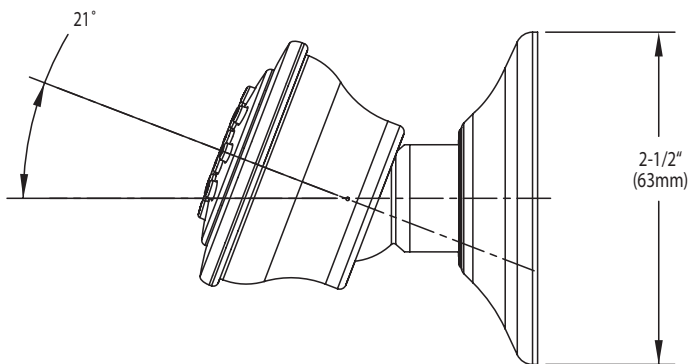
- Warranted for one year against material or manufacturing defects



## Small Single Function Body Spray

**Models:** A501, A501P, A501PM, A501AN, A501BN, A501BB, A501ST, A501CG, A501NL, A501ORB, A501WR

### A501 Series



## CRITICAL DIMENSIONS

(DO NOT SCALE)



Buy it for looks. Buy it for life.®

# Specifications

## DESCRIPTION

- Handheld shower available in a chrome plated, chrome w/LifeShine® polished brass, antique nickel, nickel, oil rubbed bronze, wrought iron, LifeShine® polished brass, brushed nickel or pewter finish
- Metal construction
- 69" double interlock spiral hose (metal)
- Vacuum breaker

## OPERATION

- Single function

## FLOW

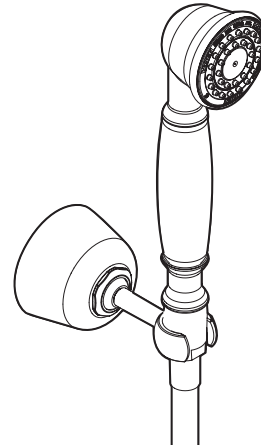
- Designed to deliver 2.5 gpm (9.5 L/min) at 60 psi

## STANDARDS

- Designed and manufactured to comply with the applicable requirements of: CSA B-125 and ASME A112.18.1M and ASSE 1014 and all applicable specifications referenced therein

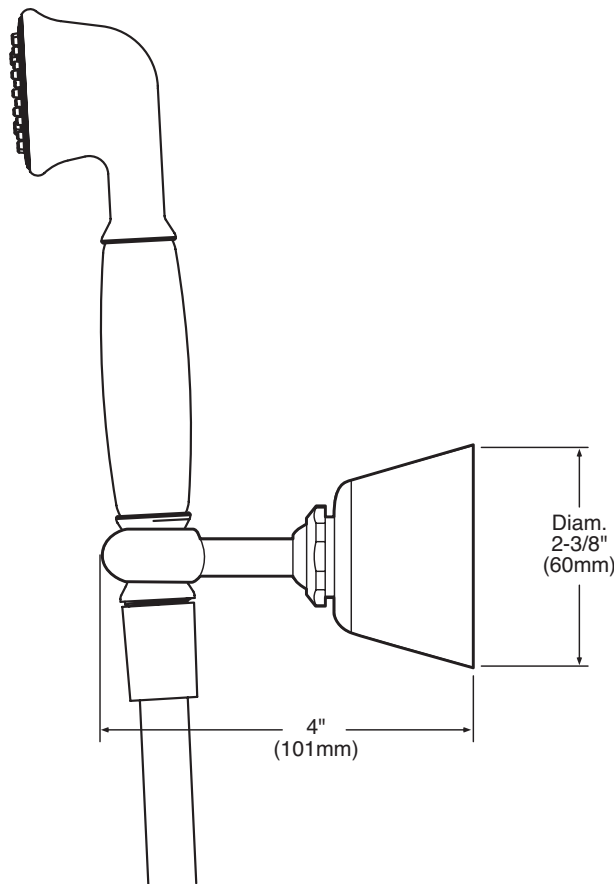
## WARRANTY

- Warranted for one year against material or manufacturing defects



**Handshower  
w/Bracket & Hose**

**Models:** 3861, 3861BB, 3861CP, 3861P, 3861PW  
3861BN, 3861WR, 3861AN, 3861NL, 3861ORB



## CRITICAL DIMENSIONS

(DO NOT SCALE)



Buy it for looks. Buy it for life.®

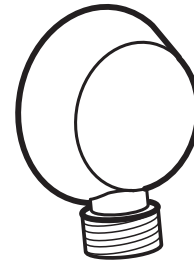
# Specifications

## DESCRIPTION

- Metal construction with a chrome plated, antique nickel, brushed nickel, classic gold, platinum, satine, wrought iron, polished brass, brushed bronze, nickel or glacier finish

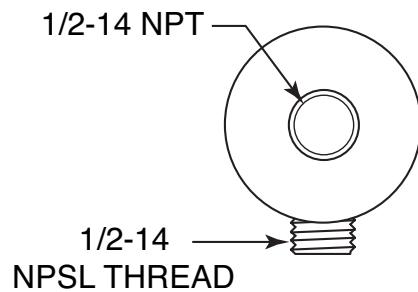
## WARRANTY

- Warranted for one year against material or manufacturing defects

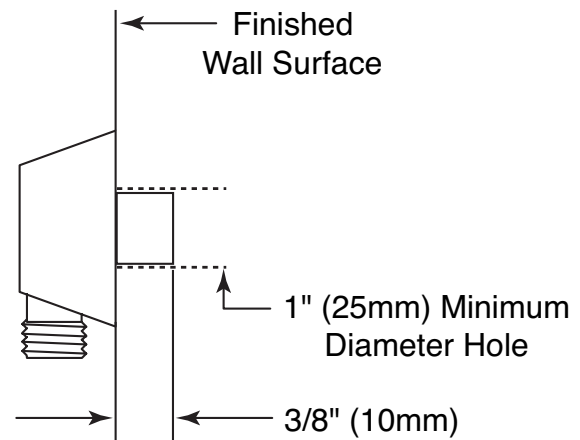


**DROP ELL**

**Models:** A725, A725P, A725W, A725ORB, A725WR, A725AN, A725BB, A725BN, A725CG, A725PM, A725ST, A725NL



BACK VIEW



SIDE VIEW

## CRITICAL DIMENSIONS

(DO NOT SCALE)