

# Cosmo (LED)

700WSCOS\_-LED

1.0



WALL COLLECTION



## GENERAL PRODUCT INFORMATION:

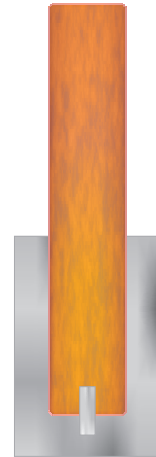
The lamp power consumption is rated at 10 watts at 12 volts.

This product can mount to either a 4" square electrical box with round plaster ring or an octagon electrical box.

This product is suitable for damp locations.  
Indoor installation only.

This product is dimmable with a low-voltage electronic dimmer.

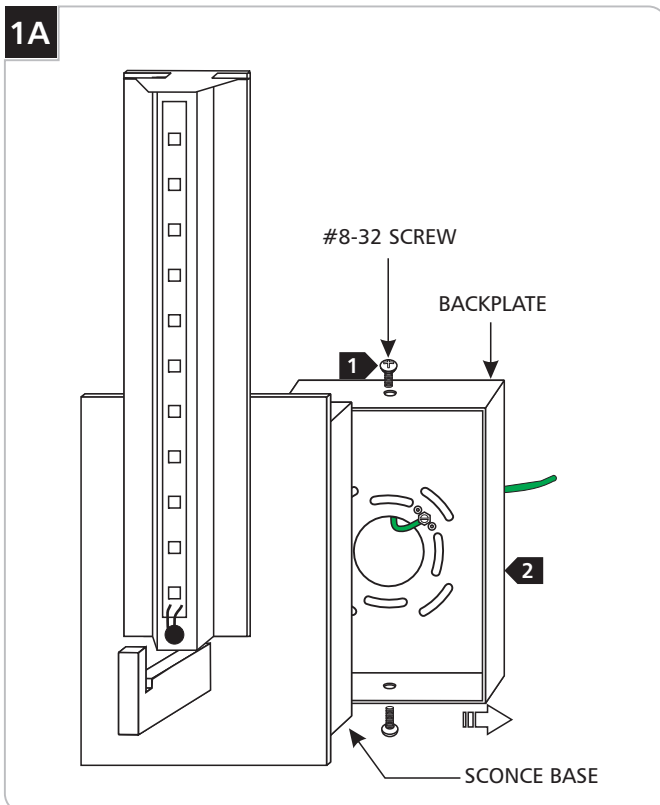
**CAUTION:** Do not use chemical cleaning products on LEDs. To clean, wipe gently with a clean, dry cloth.



### CAUTION — RISK OF FIRE

This product requires installation by a qualified electrician. Before installing be sure to read all instructions and DISCONNECT POWER TO THE ELECTRICAL BOX.

## Install the Backplate

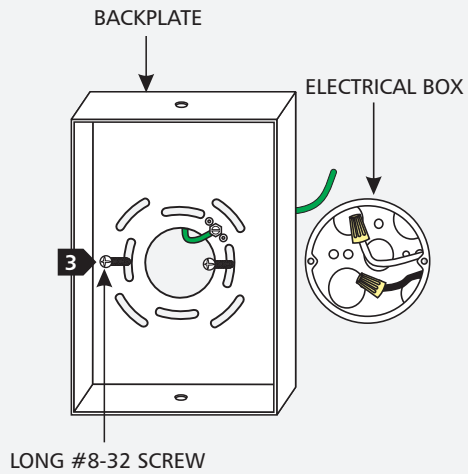


**CAUTION:** When handling the fixture, do not apply pressure to the LEDs. Hold the fixture by the sconce base or aluminum extrusion only.

- 1 Remove the two #8-32 screws on the backplate with a Phillips head screwdriver.
- 2 Remove the backplate from the sconce base.

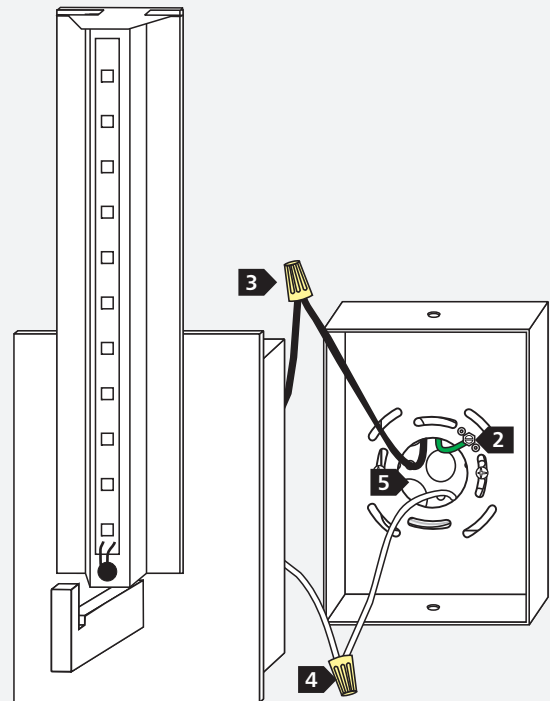
## Connect the Power

1B



- 3 Mount the backplate to the electrical box with two long #8-32 screws.

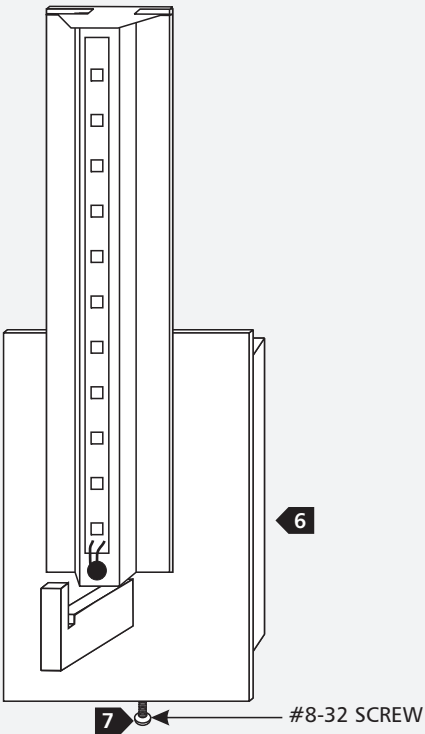
2A



- 1 Turn the power to the electrical box off.
- 2 Make sure that the backplate is grounded in accordance with local electrical codes.
- 3 Connect the black fixture wire to the hot power line wire with a wire nut.
- 4 Connect the white fixture wire to the neutral power line wire with a wire nut.
- 5 Properly place all wires into the backplate.

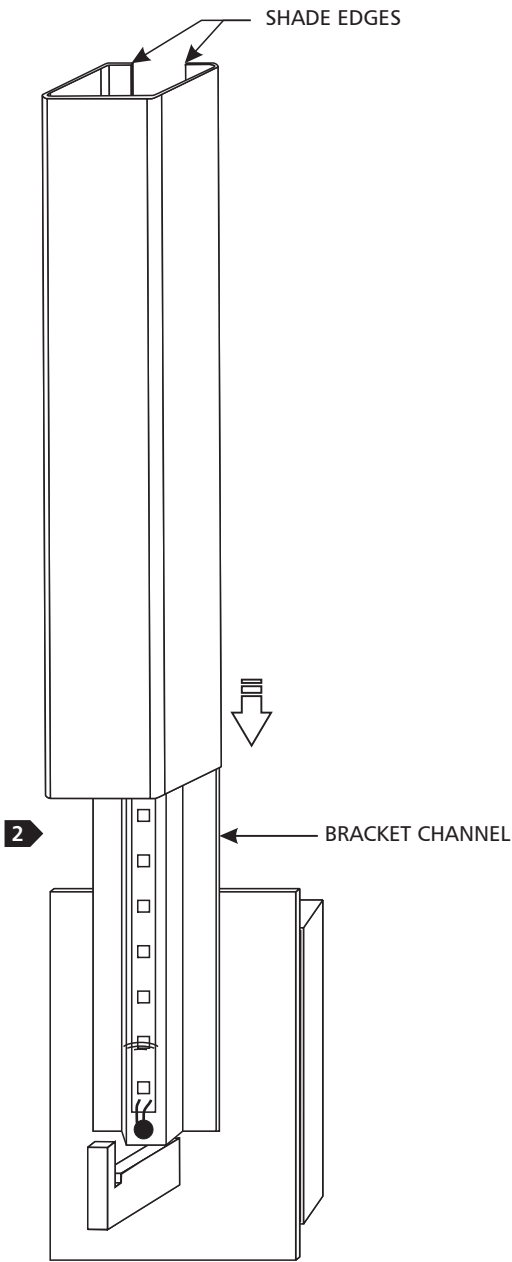
# Install the Shade

2B



- 6 Place the sconce base onto the backplate and align the holes.
- 7 Replace and tighten the #8-32 screws.

3B



- 2 From top of the sconce carefully slide the glass shade edges into the bracket channels.

**SAVE THESE INSTRUCTIONS!**



**TECH LIGHTING®**

7400 Linder Ave, Skokie, IL 60077

847.410.4400

[www.techlighting.com](http://www.techlighting.com)

© 2008 Tech Lighting, L.L.C. All rights reserved. The "Tech Lighting" graphic is a registered trademark of Tech Lighting, L.L.C. Tech Lighting reserves the right to change specifications for product improvements without notification.

A Generation Brands Company