

Delancey Pendant

700T_DELP_ 1.7



PENDANTS

GENERAL PRODUCT INFORMATION:



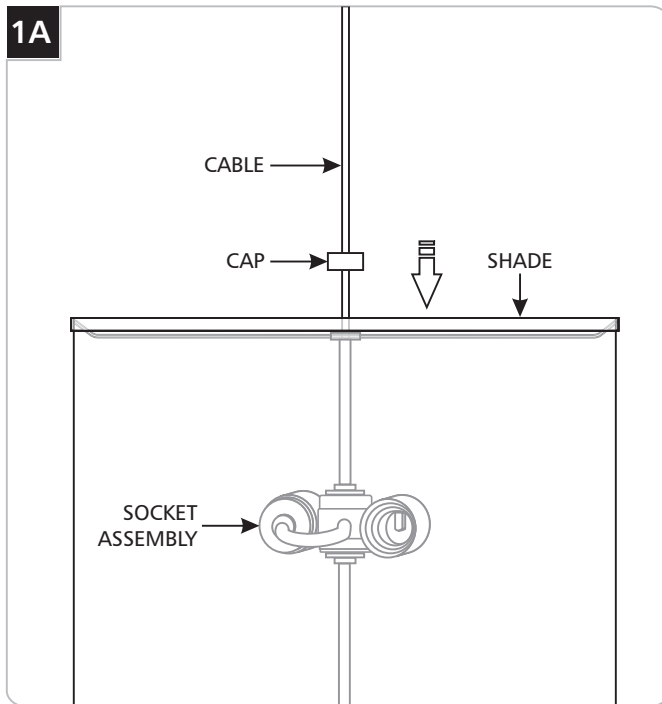
This product is suitable for damp locations.

This product can be dimmed with a standard incandescent dimmer.

Attach the shade to the socket assembly before installing the canopy.

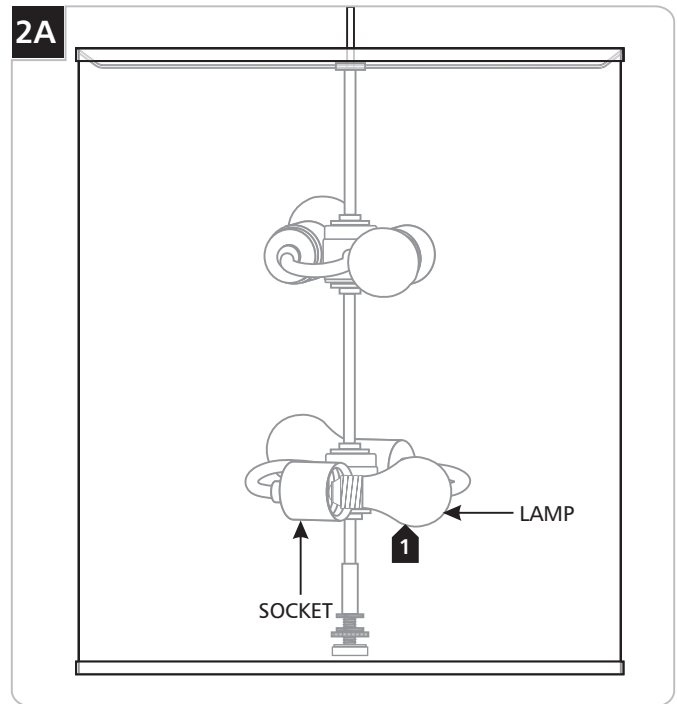



Install the Shade




- 1 Unscrew the cap from the top of the socket assembly and slide the cap nut off the cable.
- 2 Feed the cable through the center of the shade support until it rests on the end of the socket assembly.
- 3 Feed the cable through the center of the cap and screw the cap back onto the socket assembly.

Install the Lamps

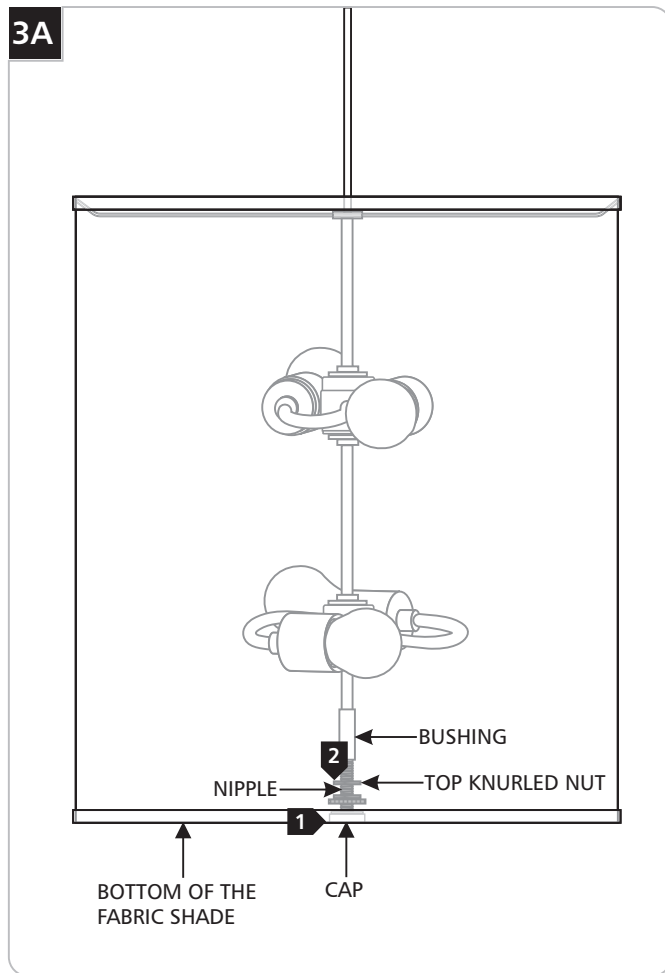


Use **MAX** 120 Volt, 150 Watt A21 (medium) base lamp with each socket. 

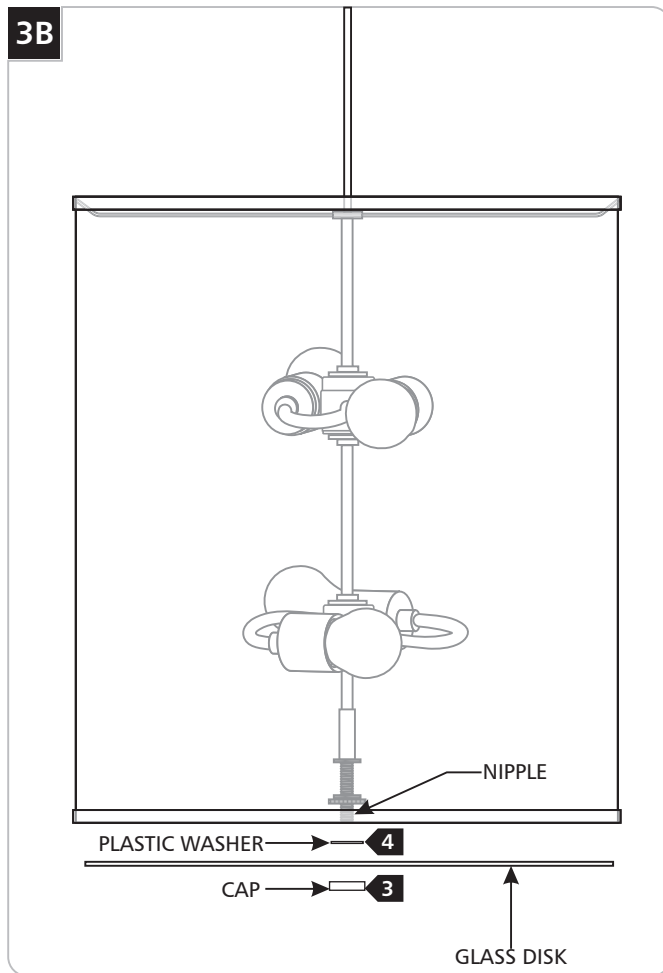
120 Volt, 100 Watt A19 (medium) base lamps (recommended) are provided with the fixture. 

- 1 Screw the lamps into the sockets.

Install the Glass Disk



- 1 Loosen the top knurled nut and adjust the nipple height so that the cap is level with bottom of the shade.
- 2 Tighten the top knurled nut firmly against the bushing.



- 3 Remove the cap and plastic washer.
- 4 Place the plastic washer and the glass disk onto the exposed nipple and secure them with the cap. **Do not overtighten** the cap. Overtightening may break the glass and result in injury.

NOTE: The glass disk must be removed to replace the lamps.

SAVE THESE INSTRUCTIONS!

2thousanddegrees™
degrees

7400 Linder Ave, Skokie, IL 60077
847.410.4400

www.2thousanddegrees.com

© 2008 Tech Lighting, L.L.C. All rights reserved. The "2thousand degrees" graphic is a registered trademark of 2thousand degrees. 2thousand degrees reserves the right to change specifications for product improvements without notification.

A Generation Brands Company