

Kami (Compact Fluorescent)

700TDKAMP_-CF

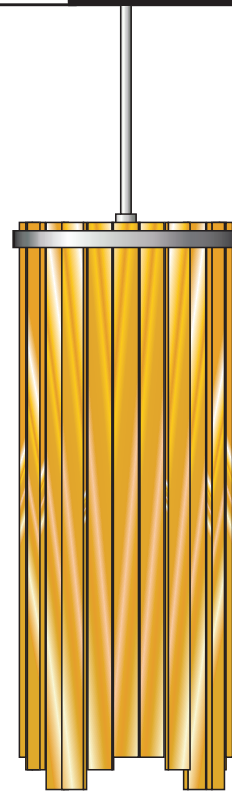
1.1

2 thousand
degrees

PENDANTS

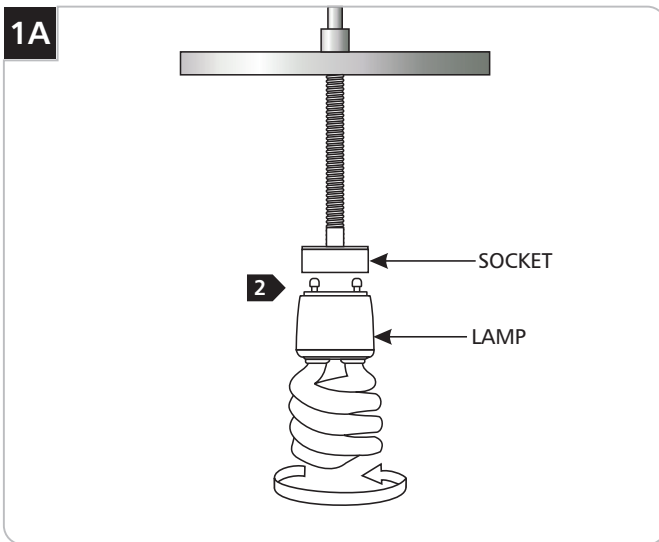
GENERAL PRODUCT INFORMATION:

This product is suitable for damp locations.



Install the Outer Glass & Lamp

CAUTION: To reduce the risk of a burn or electric shock during relamping, disconnect the power to the fixture.

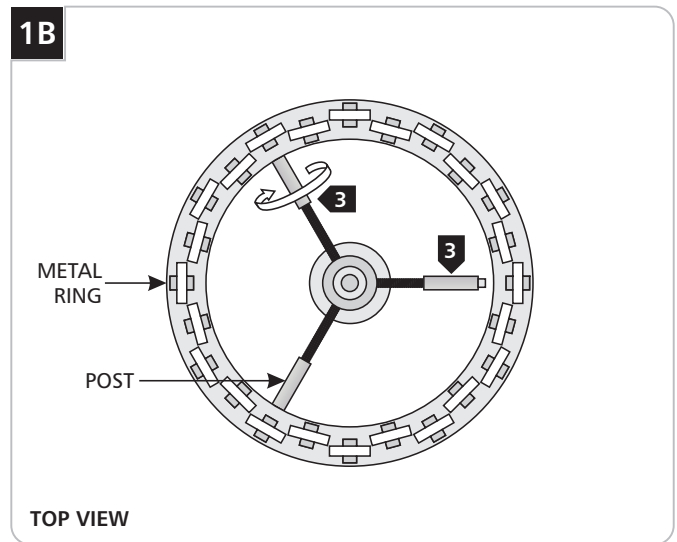


- 1 Before installing the lamp and glass, mount the fixture to the ceiling by following the instructions included with the canopy.

Use **MAX 27 Watt** type spiral self-ballasted, GU24 base compact fluorescent lamp.

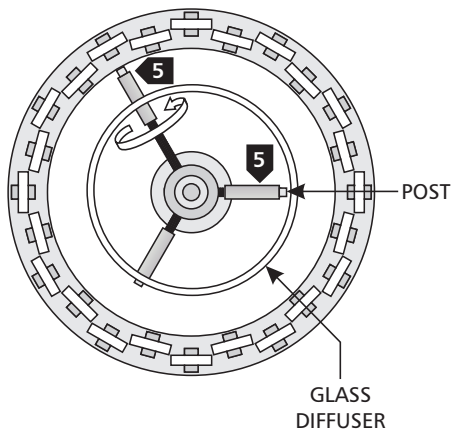


- 2 Push the lamp pins into the large portion of the socket slots and rotate it clockwise to lock it in place.



- 3 Unscrew the three posts from the metal ring.

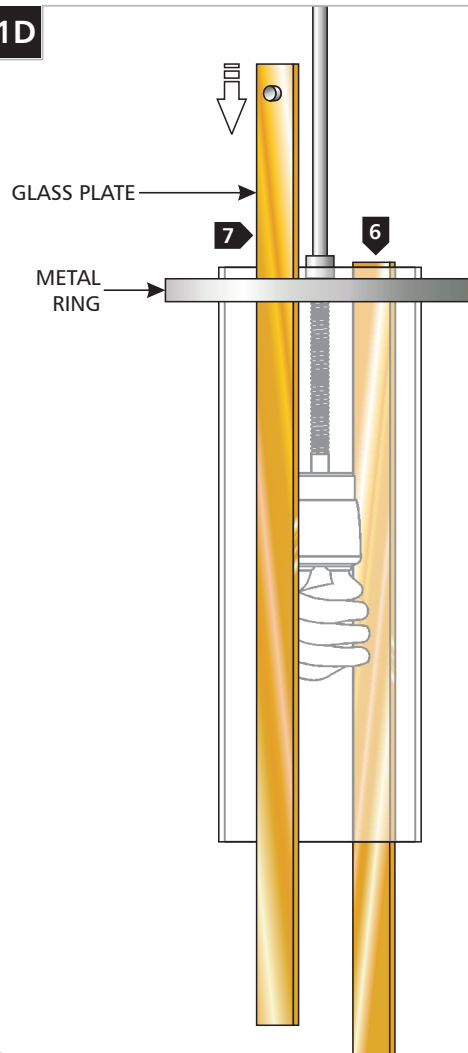
1C



TOP VIEW

- 4 Place the glass diffuser over the socket.
- 5 Tighten the three posts through the holes in the glass diffuser and into the metal ring.

1D



The glass plates are **VERY FRAGILE.**

- 6 Match the numbers in the glass plates to the numbers marked on the metal ring. Carefully slide a glass plate all the way into its slot.
Do not drop the plate into the slot!
- 7 Repeat step 6 for all the glass plates, alternating sides with each glass plate.

SAVE THESE INSTRUCTIONS!



7400 Linder Ave, Skokie, IL 60077
 847.410.4400
www.2thousanddegrees.com

© 2008 Tech Lighting, L.L.C. All rights reserved. The "2thousand degrees" graphic is a registered trademark of 2thousand degrees. 2thousand degrees reserves the right to change specifications for product improvements without notification.
 A Generation Brands Company