

# Trace Suspension

700TRAS\_

1.2



## CHANDELIERS

### GENERAL PRODUCT INFORMATION:



This product is suitable for damp locations.

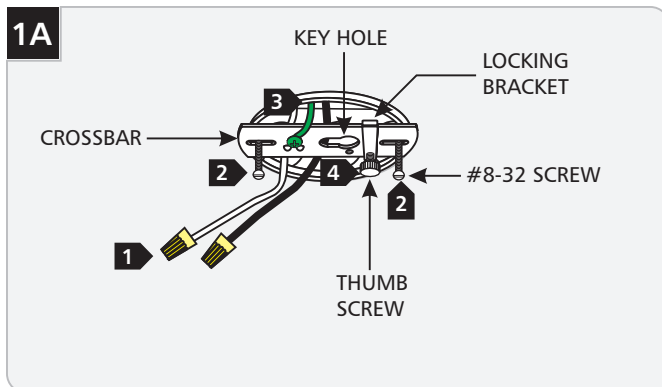
This product is dimmable with a standard incandescent dimmer.

#### CAUTION—RISK OF FIRE

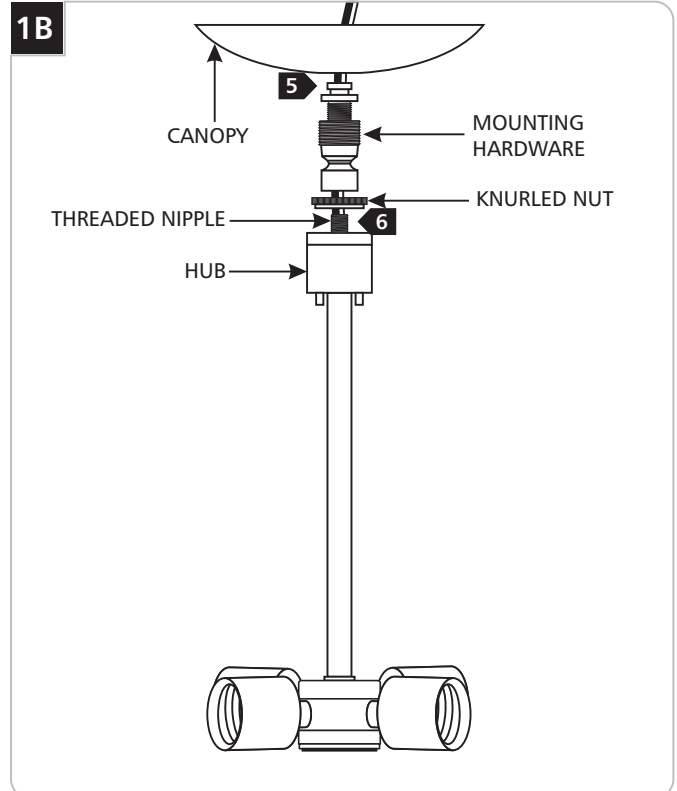
This product requires installation by a qualified electrician. Before installing be sure to read all instructions and **TURN THE POWER TO THE ELECTRICAL BOX OFF.**



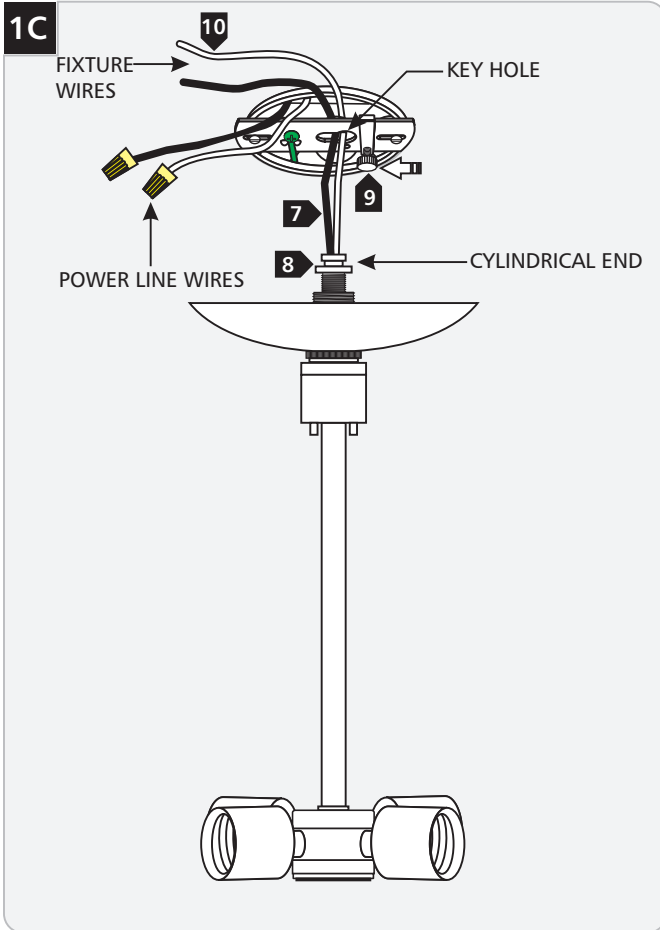
## Install the 15" Chandelier



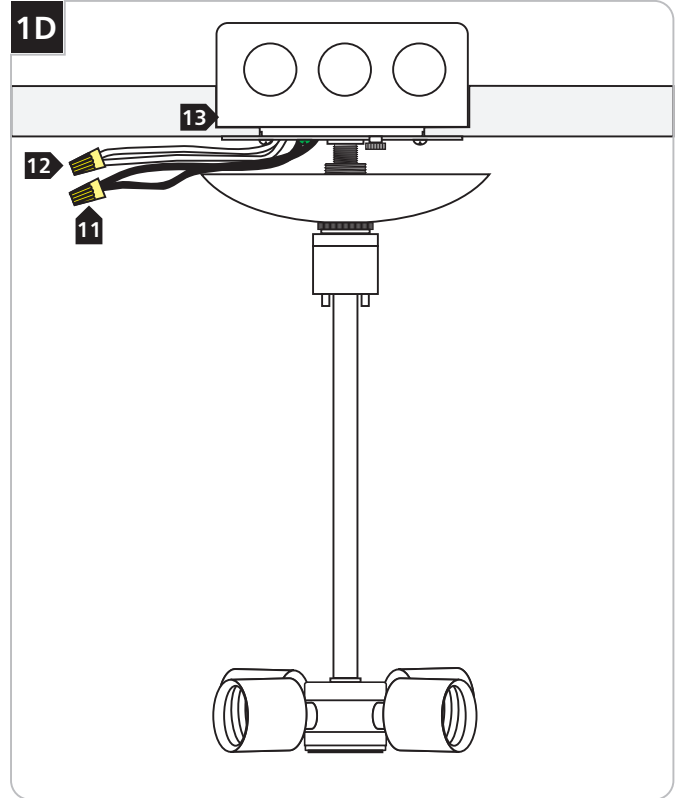
- 1** Pull the power line wires out of the electrical box.
- 2** Mount the crossbar to the electrical box with the two provided #8-32 screws.
- 3** Make sure that the crossbar is grounded in accordance with local electrical codes.
- 4** Unscrew (**Do Not Remove**) the thumb screw on the locking bracket and slide it next to the large portion of the key hole so the key hole is clear.



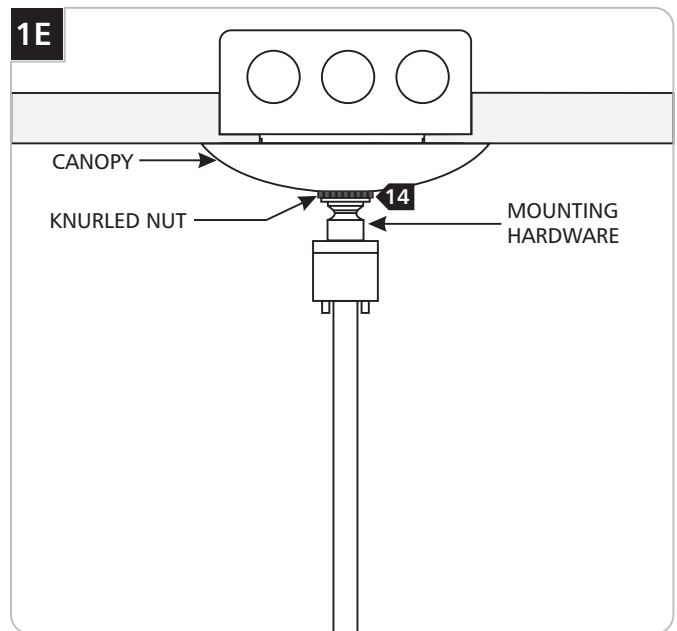
- 5** Feed fixture wires through the knurled nut, mounting hardware and canopy respectively.
- 6** Tighten the mounting hardware completely to the threaded nipple attached on the fixture hub.



- 7** Feed the fixture wires through the key hole.
- 8** Feed the mounting hardware cylindrical end through the large portion of the key hole and then slide it to the small portion to hang.
- 9** Slide the locking bracket against the mounting hardware. Tighten the thumb screw against the locking bracket into the crossbar hole (located next to the larger portion of the key hole) to secure the fixture in place.
- 10** Pull the fixture wires out of the electrical box.

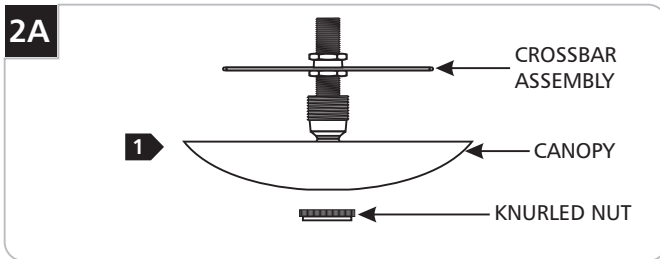


- 11** Connect the black fixture wire to hot power line wire with a wire nut.
- 12** Connect the white fixture wire to neutral power line wire with a wire nut.
- 13** Place all wires and wire nut connections inside the electrical box.

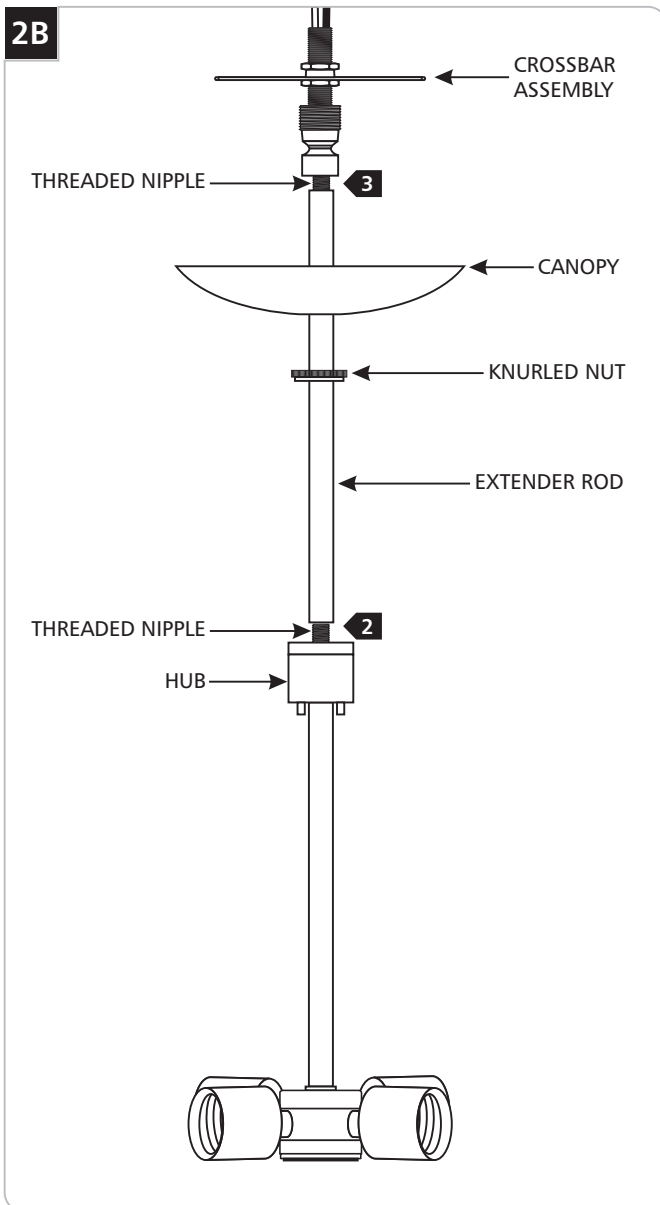


- 14** Slide the canopy up against the wall and secure it in place by tightening the knurled nut to the mounting hardware.
- 15** Follow the steps "Install the Lamps & Shade" on page 4.

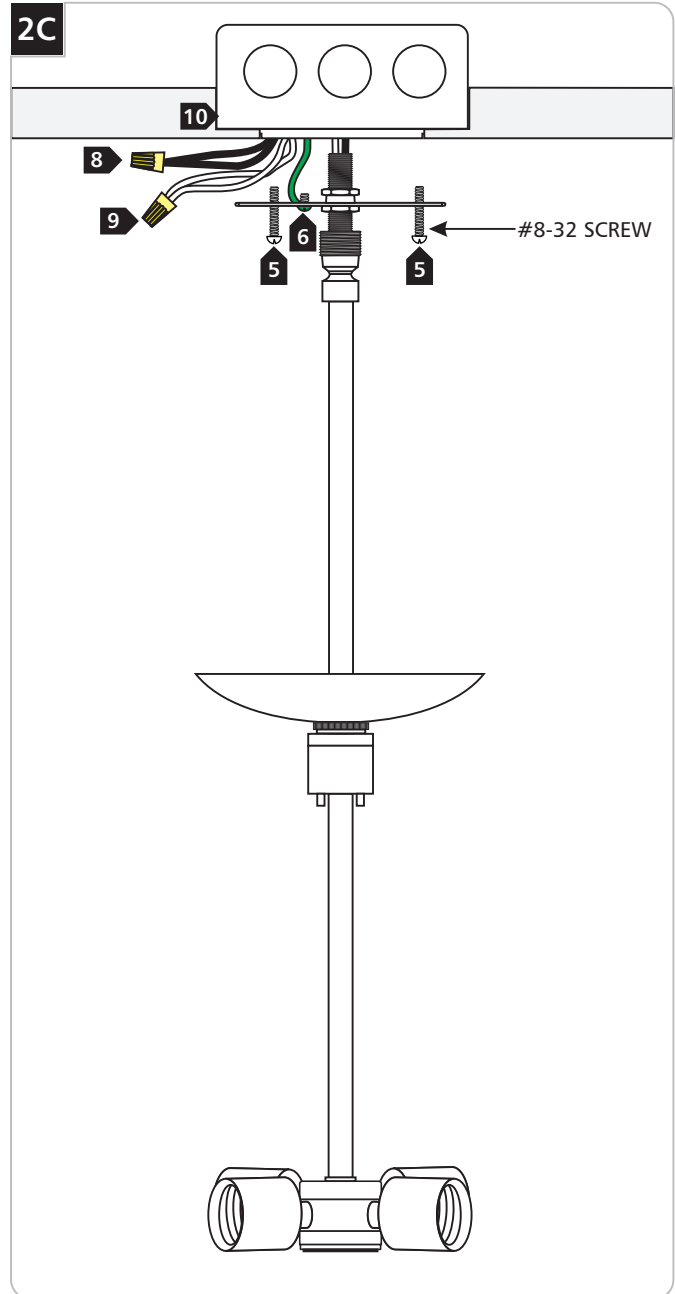
## Install the 24" or 36" Chandelier



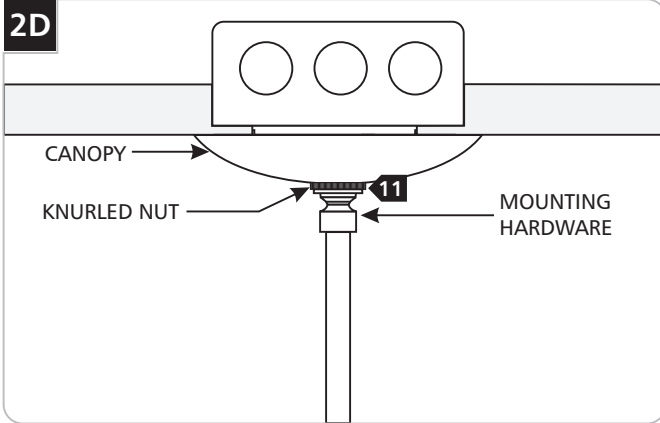
- 1 Loosen the knurled nut to remove the canopy from the crossbar assembly.



- 2 Feed the fixture wires through the extender rod and tighten it completely to the threaded nipple attached to the fixture hub.
- 3 Feed the fixture wires through the knurled nut, canopy and crossbar assembly respectively, and tighten the crossbar assembly completely to the extender rod threaded nipple.



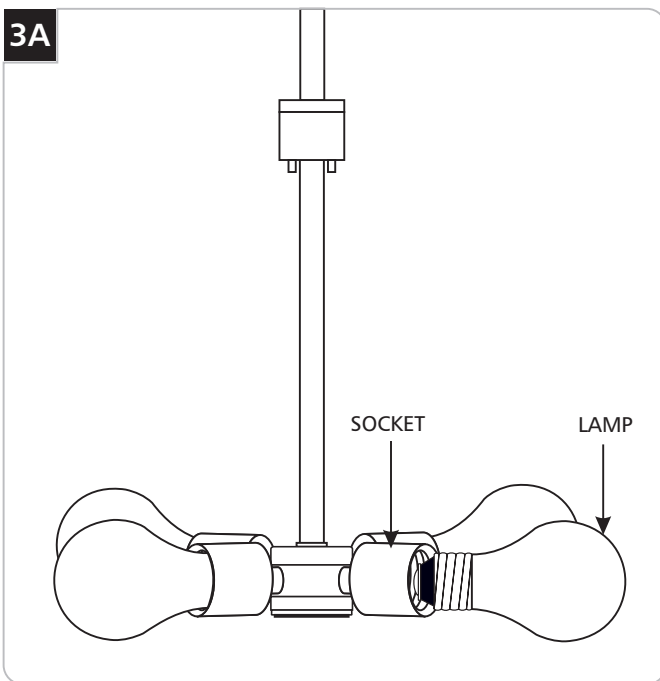
- 4 Pull out the power line wires from the electrical box.
- 5 Mount the crossbar assembly to the electrical box with the provided two #8-32 screws.
- 6 Make sure that the crossbar is grounded in accordance with local electrical codes.
- 7 Pull out the fixture wires from the electrical box.
- 8 Connect the black fixture wire to the hot power line wire with a wire nut.
- 9 Connect the white fixture wire to the neutral power line wire with a wire nut.
- 10 Place all wires and wire nut connections inside the electrical box.



**11** Slide the canopy up against the ceiling and secure it in place by tightening the knurled nut to the mounting hardware.

**12** Follow the steps "Install the Lamps & Shade" on this page.

## Install the Lamps & Shade

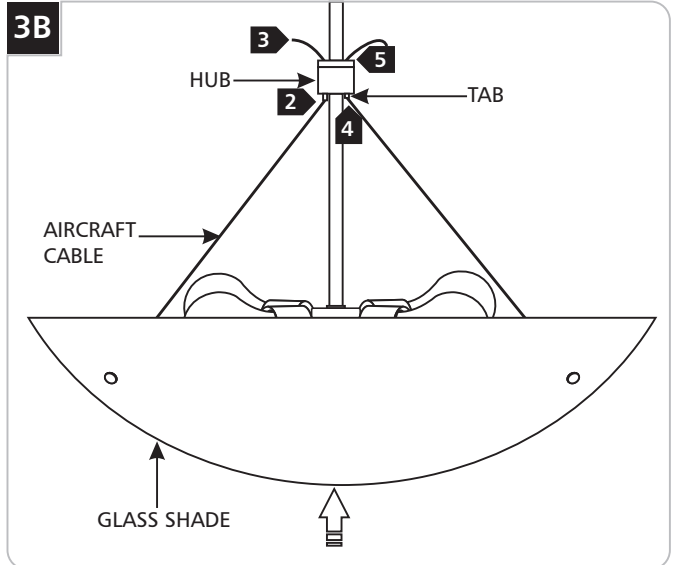


**CAUTION:** To reduce the risk of a burn or electric shock during relamping, disconnect the power to the fixture.

Use **MAX** 120 Volt, 60 Watt Clear A19 medium base lamp with each socket.



**1** Screw the lamps into the sockets.



**NOTE:** Make sure to support the glass shade while adjusting the aircraft cables to position it in place as described in the steps below.

- 2** While supporting the glass shade with one hand, with the other hand feed the aircraft cable through the tabs into the hub.
- 3** Carefully, pull the aircraft cable behind the hub to raise the glass shade. Make sure that the glass shade is not touching the lamps, but it is high enough to cover the lamps.
- 4** To lower the glass shade, push the tabs in and pull the aircraft cable down.
- 5** When the desired position achieved, trim the excess aircraft cable coming behind the hub for a nice and neat look.

**NOTE:** To replace the lamps, simply reach the lamp from top of the glass shade. **DO NOT REMOVE THE GLASS SHADE.**

**SAVE THESE INSTRUCTIONS!**



**TECH LIGHTING®**

7400 Linder Ave, Skokie, IL 60077

847.410.4400

[www.techlighting.com](http://www.techlighting.com)

© 2008 Tech Lighting, L.L.C. All rights reserved. The "Tech Lighting" graphic is a registered trademark of Tech Lighting, L.L.C. Tech Lighting reserves the right to change specifications for product improvements without notification.

A Generation Brands Company