

Trimble Grande Pendant (Compact Fluorescent)

700TDBRTP_-CF

1.1

2 *t h o u s a n d*
d e c a d e s™

PENDANTS

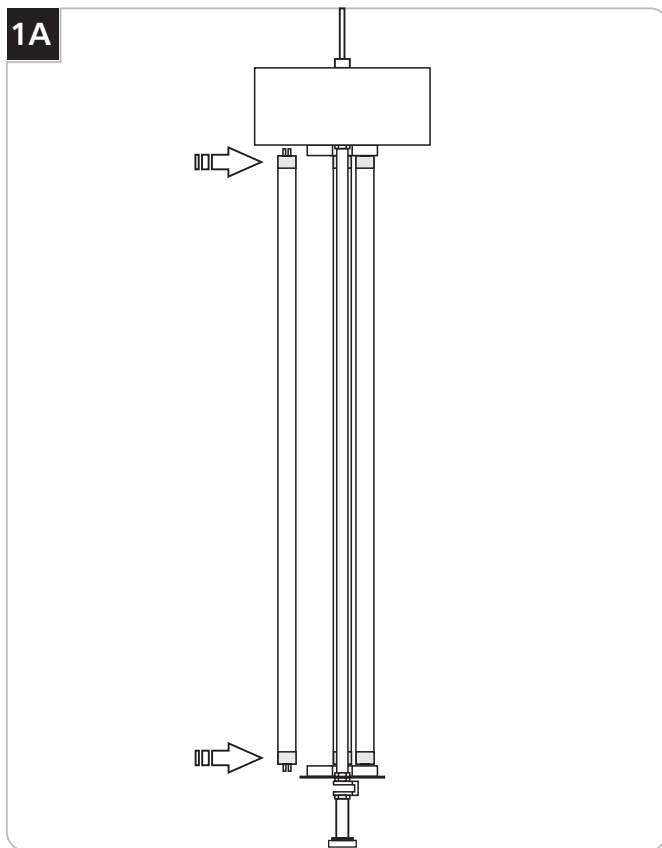
GENERAL PRODUCT INFORMATION:

This product is suitable for damp locations.



Attach the shade to the socket assembly before installing the canopy.

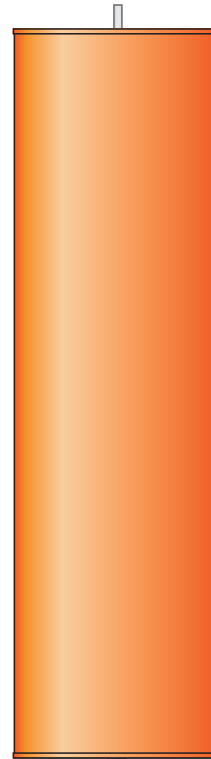
Install the Lamps



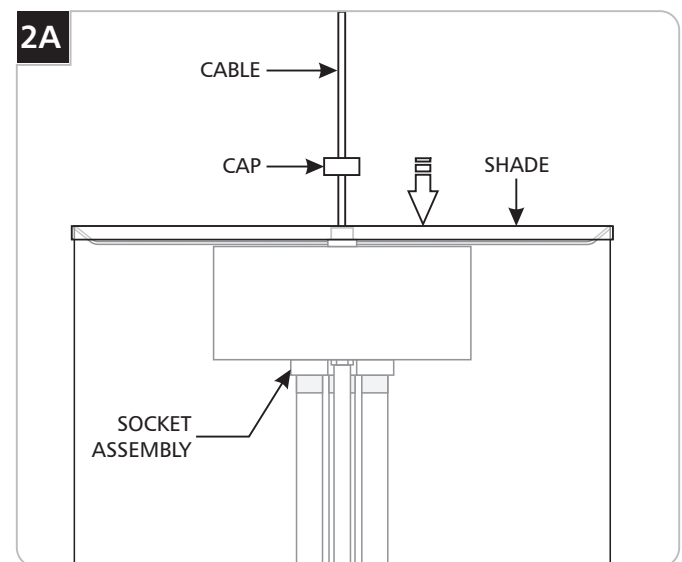
Use **MAX 24 Watt** type T5 high output miniature bipin linear fluorescent lamp.



- 1** Line up the lamp pins on both sides with the opening on the sockets.
- 2** Insert the pins all the way into the sockets and turn the lamp to lock it in place. Repeat for all three lamps.

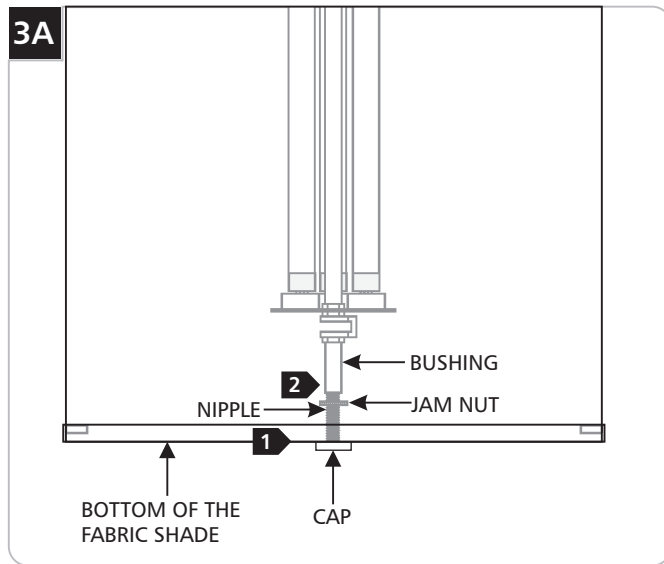


Install the Shade

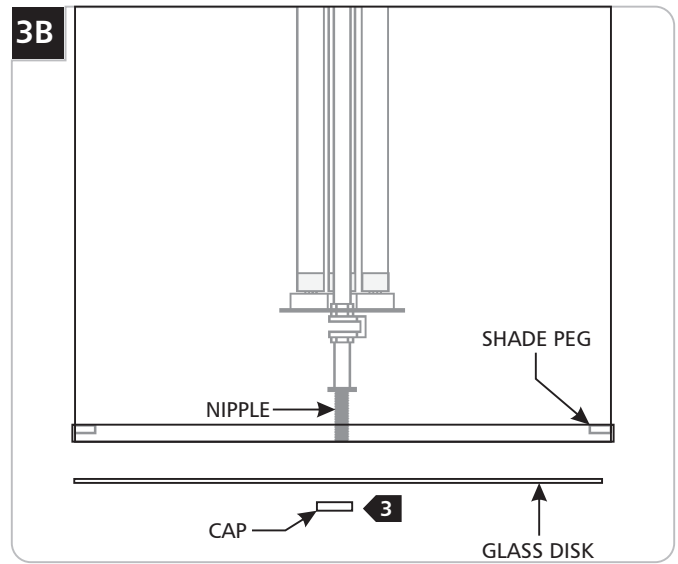


- 1** Unscrew the cap from the top of the socket assembly and slide the cap nut off the cable.
- 2** Feed the cable through the center of the shade support until it rests on the end of the socket assembly.
- 3** Feed the cable through the center of the cap and screw the cap back onto the socket assembly.

Install the Glass Disk



- 1 Loosen the knurled nut and adjust the nipple height so the back of the cap is level with bottom of the shade.
- 2 Tighten the jam nut firmly against the bushing.



- 3 Remove the cap.
- 4 Place the glass disk onto the nipple and secure it against the shade pegs with the cap.

NOTE: Do not over tighten the cap. Overtightening may break the glass and result in injury.

SAVE THESE INSTRUCTIONS!

2thousanddegrees™

7400 Linder Ave, Skokie, IL 60077
847.410.4400

www.2thousanddegrees.com

© 2008 Tech Lighting, L.L.C. All rights reserved. The "2thousand degrees" graphic is a registered trademark of 2thousand degrees. 2thousand degrees reserves the right to change specifications for product improvements without notification.

A Generation Brands Company