

Innovative.
Incognito.
Ingenious.



www.concealite.com

Concealite offers an innovative choice that conceals obtrusive fire alarm appliances. Our life safety products are available in a variety of custom finishes to blend in with interiors. We specialize in working with the design community to make our custom product lines fit your ideas and needs.

Conceal-Alarm Series

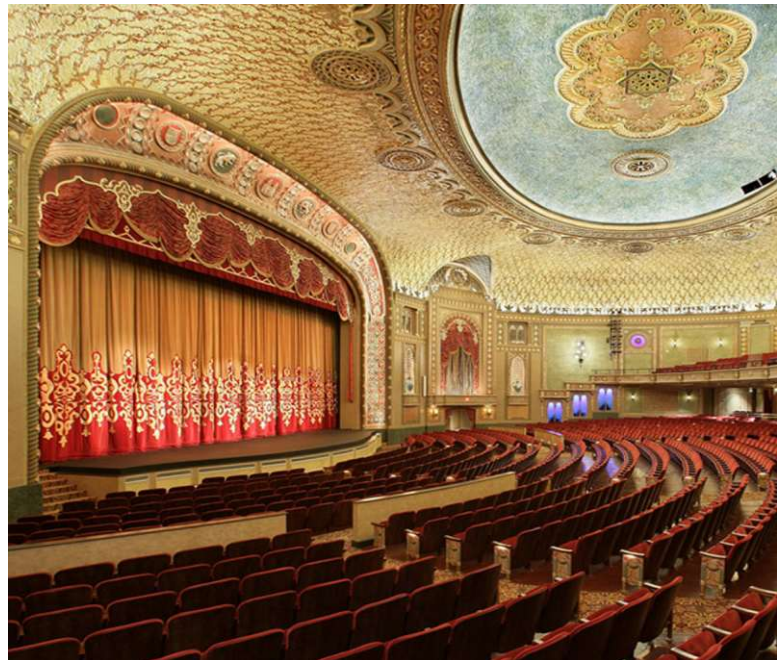
FA100 & FA900   LAETL NFPA 72

Aesthetics

In architectural environments, fire notification appliances are obtrusive and interrupt the aesthetic beauty of interior designs. Concealite has applied their patented egress lighting technology to fire alarm equipment in order to maintain design integrity. Only when the fire system is activated do the units become visible, rotate 180 degrees, and begin operation. The result is a clean, almost invisible installation, that does not conflict with your interior.

Architectural Features

- Standard white powder coat finish or units can be customized at the factory or in the field using paint, wallpaper, or applique finishes.
- No minimum order for factory customized paint or metal finishes (ie. bronze, pewter, stainless).
- Compact, completely self-contained units.
- Interfaces with all fire alarm systems.
- Units fit in standard stud wall.
- Retrofit kits available for installation in existing walls or ceilings.
- Units furnished standard with Wheelock UL listed devices. Many other manufacturers devices compatible – contact factory. (See FAFX for larger ceiling devices.)
- Units are vandal resistant.
- Designed for wall or ceiling installations, including gypsum board, plaster, concrete, brick, or acoustical tile applications
- Units conform to NFPA 72 standards.
- UL Listed
- Frameless mounting system available.



Historic Tennessee Theater, Knoxville TN

Conceal-Alarm interfaces with any fire alarm system meeting local and National Life Safety Codes.



FA100
Horn/Strobes
Horns
Strobes
Speakers

FA900
Speaker/Strobes



Custom Finishes are Available to Match Interiors.

Conceal-Alarm Series

FA100 & FA900



NFPA 72 LAETL

FIXTURE SCHEDULE	FIXTURE TYPE:	PROJECT NAME/REF:
APPROVAL:	CANDELA:	PROJECT LOCATION:

Installation

This fixture utilizes a recessed flange for flush mounting in either wall or ceiling. The assembly adjusts to any wall or ceiling thickness and is secured in place with concealed fasteners. The door, appliance, and motor drive assembly are inserted into the recessed enclosure. Wire connections to the unit are made through conduit raceway on the recessed enclosure. For complete installation and operation instructions, please refer to the instruction sheet included with each shipment.

New Projects

For new projects, a single enclosure is mounted before the wall or ceiling material is installed.

Retrofit/Remodeling Projects

For retrofit/remodeling applications a multi-section (suffix RB) enclosure is available. See options and technical data section for details.

Product Specifications

The fire notification appliance shall be Concealite Conceal-Alarm Series. The unit shall be wall or ceiling mounted and will be controlled by the central fire system. Upon system activation, the door of the unit shall rotate 180 degrees and the fire notification appliance shall begin operation. Upon fire system shutdown, the door will rotate 180 degrees putting the appliance in the hidden or stored position. The standard unit shall be a white powder coat finish, and can be custom finished by factory, or in the field, using paint, wallpaper or applique. The unit shall fit in a standard stud wall, and back boxes shall be available for any standard wall or ceiling material. The unit shall interface seamlessly with any fire system and shall not affect or interfere with any diagnostic routines of the fire system. The unit shall be in conformance with NFPA 72 (National Fire Alarm Code).

Limited Warranty

All Concealite equipment is guaranteed against defects in materials and workmanship by the manufacturer for a period of three years from date of shipment under normal operations and proper use. Correction of all defects shall be by replacement or repair (at our discretion) and shall constitute fulfillment of all manufacturer's obligations.

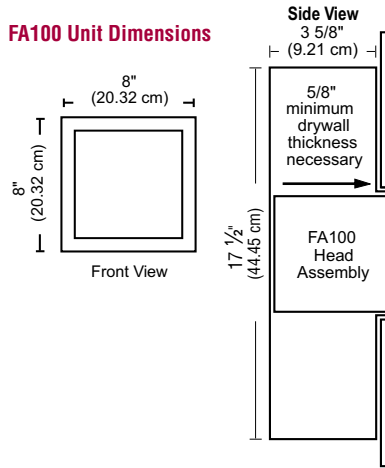
FA100

Horn/Strobe Combination, Horn, Strobe, Speaker



Note:
Unit requires finished opening of 7 1/4"H x 6 3/4"W.
Unit depth of 3 5/8" allows for installation into **walls or ceilings**.

FA100 Unit Dimensions



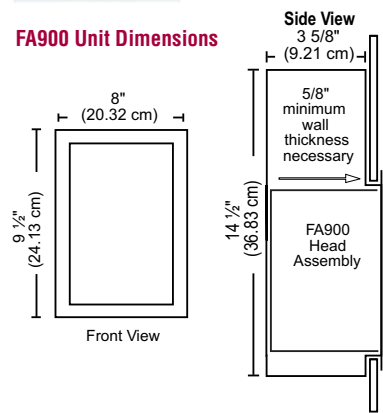
FA900

Speaker/Strobe



Note:
Unit requires finished opening of 8 7/8"H x 6 3/4"W.
Unit depth of 3 5/8" allows for installation into **walls only**. (No ceiling installations. See FA100 for ceiling applications).

FA900 Unit Dimensions



Ordering Information

Example Spec: FA900-W-24-SSPK-110-FMS-CF

	FA900	W	24	SSPK	110	OPTIONS
Series	<p>FA900 (Wall Only) Speaker/Strobe</p> <p>FA100 Horn & Strobe Horn Only Strobe Only Speaker Only</p>					
Type	<p>W Wall C Ceiling</p>					
Voltage	24 24 VDC					
Notification	<p>SSPK Speaker/Strobe (FA900 only) AS Horn/Strobe Combination (FA100) A Horn (FA100) C Chime S Strobe (FA100) SPK Speaker (FA100)</p>					
Strobe Intensity	<p>15 15 Candela 30 30 Candela 75 75 Candela 95 95 Candella (Ceiling Only) 110 110 Candela (Wall Only) 115 115 Candela (Ceiling Only) 135 135 Candela (Wall Only) 177 177 Candela (Ceiling Only) 185 185 Candela (Wall Only)</p>					
Options	<p>FMS Frameless Appearance (Frameless Mounting System) PT Plaster Trim RB Retro Fit Back Box SM Surface Mount Enclosure (FA100 Only) CBLOCK Cinder Block Back Box (FA100 Only) TBAR T-Bar Mounting Kit CF Custom Finish (Specify 4 digit RAL #) CM Custom Metal</p>					

RB Option:
Existing Construction Installation
Our unique to the market Retro Back Box is available that allows installation into existing Construction.



202 Elk Street, P.O. Box 160
Elkton, SD 57026
Phone: (605)542-4444
Fax: (605)542-3333
www.concealite.com

Innovative.
Incognito.
Ingenious.



www.concealite.com

Concealite offers an innovative choice that conceals obtrusive fire alarm appliances. Our life safety products are available in a variety of custom finishes to blend in with interiors. We specialize in working with the design community to make our custom product lines fit your ideas and needs.

Conceal-Alarm Series

FAFX



NFPA 72

Aesthetics

In architectural environments, fire notification appliances are obtrusive and interrupt the aesthetic beauty of interior designs. Concealite has applied their patented egress lighting technology to fire alarm equipment in order to maintain design integrity. Only when the fire system is activated do the units become visible, rotate 180 degrees, and begin operation. The result is a clean, almost invisible installation, that does not conflict with your interior.

Architectural Features

- Designed for ceiling installations, including gypsum board, plaster, or acoustical tile applications
- Standard white powder coat finish or units can be customized at the factory or in the field using paint, wallpaper, or applique finishes.
- No minimum order for factory customized paint or metal finishes (ie. bronze, pewter, stainless).
- Compact, completely self-contained units.
- Interfaces with all fire alarm systems.
- Units furnished standard with UL listed devices (many manufacturers devices may be compatible. Please contact factory for details).
- Units are vandal resistant.
- Units conform to NFPA 72 standards.
- ETL and UL Listed



Acoustic Ceiling Installation

Conceal-Alarm interfaces with any fire alarm system meeting local and National Life Safety Codes.

FX Shown Here with Honeywell® Ceiling Speaker/ Strobe Fixture



FAFX (Ceiling Only)

Speaker/Strobes
Horn/Strobes
Horns
Strobes
Speakers

Custom Finishes are Available to Match Interiors.

Conceal-Alarm Series

FAFX



NFPA 72

FIXTURE SCHEDULE	FIXTURE TYPE:	PROJECT NAME/REF:
APPROVAL:	CANDELA:	PROJECT LOCATION:

Installation

This fixture utilizes a recessed flange for flush mounting in ceiling. The assembly adjusts to any ceiling thickness and is secured in place with concealed fasteners. The door, appliance, and motor drive assembly are inserted into the recessed enclosure. Wire connections to the unit are made through conduit raceway on the recessed enclosure. For complete installation and operation instructions, please refer to the instruction sheet included with each shipment.

New Projects

For new projects, a single back box is mounted before the ceiling material is installed.

Retrofit/Remodeling Projects

For retrofit/remodeling applications a multi-section (suffix RB) enclosure is available. See options and technical data section for details.

Product Specifications

The fire notification appliance shall be Concealite Conceal-Alarm Series. The unit shall be ceiling mounted and will be controlled by the central fire system. Upon system activation, the door of the unit shall rotate 180 degrees and the fire notification appliance shall begin operation. Upon fire system shutdown, the door will rotate 180 degrees putting the appliance in the hidden or stored position. The standard unit shall be a white powder coat finish, and can be custom finished by factory, or in the field, using paint, wallpaper or applique. The unit shall interface seamlessly with any fire system and shall not affect or interfere with any diagnostic routines of the fire system. The unit shall be in conformance with NFPA 72 (National Fire Alarm Code).

Limited Warranty

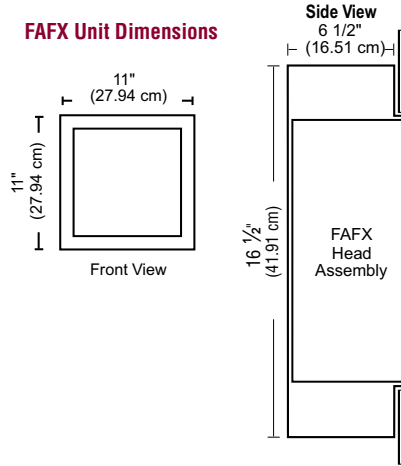
All Concealite equipment is guaranteed against defects in materials and workmanship by the manufacturer for a period of three years from date of shipment under normal operations and proper use. Correction of all defects shall be by replacement or repair (at our discretion) and shall constitute fulfillment of all manufacturer's obligations.

FAFX



Note:
Unit requires finished opening of 10 1/4" H x 10 1/4" W.
Unit depth of 6 1/2" allows for installation into ceilings.

FAFX Unit Dimensions



Typical "Visible" Installation



FAFX "Invisible" Installation

Ordering Information

Example Spec: FAFX-C-24-(device type)-(strobe setting)-(options)

	FAFX	C	24	SSPK	110	OPTIONS
Series	FAFX					
Type	C Ceiling					
Voltage	24 24 VDC					
Notification	SSPK Speaker/Strobe AS Horn/Strobe Combination A Horn C Chime S Strobe SPK Speaker					
Strobe Intensity	15 15 Candela 30 30 Candela 75 75 Candela 95 95 Candela 115 115 Candela 177 177 Candela OC Other Candela (Please Specify)					
Options	TBAR T-Bar Mounting Kit RBFX Retro Fit Back Box CF Custom Finish (Specify 4 digit RAL #) CM Custom Metal					



202 Elk Street, P.O. Box 160
Elkton, SD 57026
Phone: (605)542-4444
Fax: (605)542-3333
www.concealite.com



Fixture Models

FA100

FA900

FAFX



Operation Cycle

When activated, the signaling appliance begins operation, the Conceal-Alarm's door rotates 180 degrees, and the micro-switch disengages the motor. The door is held open by a magnetic clutch system that remains operational until the fire alarm panel is deactivated. Deactivating the alarm mode branch circuit disengages the magnetic clutch and the door returns to a closed position.

Wiring Needs

Conceal-Alarm units use standard wiring practices, comparable to any alarm system. No additional wiring is necessary.

Appliance Application

Conceal-Alarm utilizes UL Listed fire alarm appliances, i.e., strobes, horns and strobe/horn combination units that operate with any fire system. Manufacturers appliances, such as, Wheelock, Simplex, Notifier, Gentex, etc. can be installed into the Conceal-Alarm fixture. Installation of optional units are dependent on the following guidelines:

- A catalog sheet (technical sheet) must be provided for the appliance.
- All Conceal-Alarm units come fitted with a factory fitted UL listed appliance. Appliances cannot be installed in the field.
- An additional cost per unit may be quoted based on the brand of appliance or the customer may be asked to provide the appliance for installation.

Strobes

Strobes are available in wall and ceiling mount. Candela rating must be specified prior to manufacture. Due to concerns that strobe lights flashing at various times in the same area can trigger health problems, the Conceal-Alarm units are compatible with standard fire system synchronous modules, which cause the strobes to pulse at the same time.

Horns

The horn portion of the appliance can be set to provide either Continuous Horn or Code 3 Horn. The sound output can be set for High (HI) or Low (LO) dBA. Conceal-Alarm units with the horn feature are shipped with the default settings from the appliance manufacturer, unless requested otherwise.

Speakers

Speakers may operate with a public address system for use by the fire department, as well as automated messages during emergency situations.

Back Box Applications

The Conceal-Alarm can be installed in various back boxes depending on the specific requirements. The following back boxes are available:

- R1 Use in a standard stud wall (FA-100)
- R1-900 Use in standard stud wall (FA-900)
- RB Use in retrofit applications (FA-100)
- RB-900 Use in retrofit applications (FA-900)
- RFX Standard new construction (FX)
- RBFX Use in retrofit applications (FX)
- SM For surface mount installation (FA-100 only)
- C-Block For concrete (cinder) block wall installation (FA-100 only)

For specific dimensions on these back boxes refer to the technical section of the Concealite catalog or view the Back Box technical sheet at www.concealite.com.

Finish

The standard Conceal-Alarm trim and door are white powder coat. As with all Concealite fixtures, custom colors, custom metals and custom finishes are available options. Please contact factory for custom finishes.

Electrical Requirements

The table below will assist in planning voltage requirements for fire alarm systems:

Model	Voltage	Current Draw (mAmps)*
FA	16 VDC	600
FA	24 VDC	600
FA	33 VDC	600
FA	16 vFWR	600
FA	24 vFWR	600
FA	33 vFWR	600

* To determine total voltage requirements, select the proper current draw for the Conceal-Alarm from the table above and add the current draw requirements specified by the manufacturer of the appliance to be used within the Conceal-Alarm fixture.

Draw Requirements

Current draw requirements are available on the cut sheet for the device or on the web site of the manufacturer. Information can be viewed at:

Cooper Wheelock
www.cooperwheelock.com

SimplexGrinnel
www.simplexgrinnell.com

System Sensor
www.systemsensor.com

GE Edwards
www.edwards-signals.com

Limited Warranty

All Concealite equipment is guaranteed against defects in materials and workmanship by the manufacturer for a period of three years from date of shipment under normal operations and proper use. Correction of all defects shall be by replacement or repair (at our discretion) and shall constitute fulfillment of all manufacturer's obligations.

Note: These specifications are subject to change