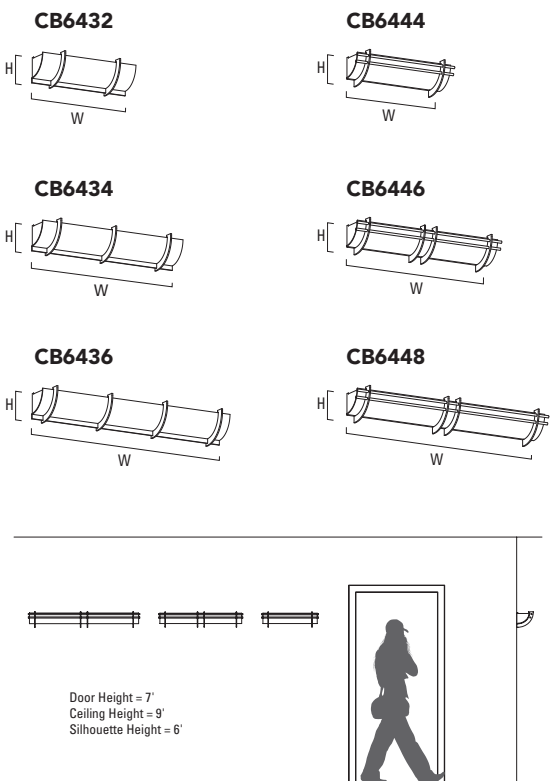


SAMPLE CATALOG NUMBER

CB6434 - 1FS39(MVOLT) - BA - XPS
 Model Number Lamping Option (Voltage) Finish Option

Model		Lamping Options		Finish	Diffuser Options	Options	
Model Number	Dimensions						
CB6432	W	23-3/4"	(603 mm)	1FS24	PTD BA BB BCA SNA	<ul style="list-style-type: none"> • ABA • AR • PP White acrylic standard	<ul style="list-style-type: none"> • SL • SR DCC • DIM-L REM XEM XPS
	H	7"	(178 mm)				
	D	7"	(178 mm)				
	MC	2-7/8"	(73 mm)				
CB6434	W	35-3/4"	(908 mm)	1FS39	PTD BA BB BCA SNA	<ul style="list-style-type: none"> • ABA • AR • PP White acrylic standard	<ul style="list-style-type: none"> • SL • SR DCC • DIM-L REM XEM XPS
	H	7"	(178 mm)				
	D	7"	(178 mm)				
	MC	2-7/8"	(73 mm)				
CB6436	W	47-3/4"	(1213 mm)	1FS54	PTD BA BB BCA SNA	<ul style="list-style-type: none"> • ABA • AR • PP White acrylic standard	<ul style="list-style-type: none"> • SL • SR DCC • DIM-A • DIM-L REM XPS
	H	7"	(178 mm)				
	D	7"	(178 mm)				
	MC	2-7/8"	(73 mm)				
CB6444	W	24-3/4"	(629 mm)	1FS24	PTD BA BB BCA SNA	<ul style="list-style-type: none"> • ABA • AR • PP White acrylic standard	<ul style="list-style-type: none"> • SL • SR DCC • DIM-L REM XEM XPS
	H	7"	(178 mm)				
	D	7"	(178 mm)				
	MC	2-7/8"	(73 mm)				
CB6446	W	36-3/4"	(933 mm)	1FS39	PTD BA BB BCA SNA	<ul style="list-style-type: none"> • ABA • AR • PP White acrylic standard	<ul style="list-style-type: none"> • SL • SR DCC • DIM-L REM XEM XPS
	H	7"	(178 mm)				
	D	7"	(178 mm)				
	MC	2-7/8"	(73 mm)				
CB6448	W	48-3/4"	(1238 mm)	1FS54	PTD BA BB BCA SNA	<ul style="list-style-type: none"> • ABA • AR • PP White acrylic standard	<ul style="list-style-type: none"> • SL • SR DCC • DIM-A • DIM-L REM XEM XPS
	H	7"	(178 mm)				
	D	7"	(178 mm)				
	MC	2-7/8"	(73 mm)				

LINE DRAWINGS



ABBREVIATION KEY

• Indicated Finish or Option is not available with XPS

Dimensions

- W Width
- H Height
- D Depth (measured from wall to front of fixture)
- MC Mounting Center (measured from top of fixture to center of junction box)

Lamping Options (Voltage)

- FS24 24w T-5/HO, mini bi-pin base, FLR (MVOLT)
- FS39 39w T-5/HO, mini bi-pin base, FLR (MVOLT)
- FS54 54w T-5/HO, mini bi-pin base, FLR (MVOLT; 347V)

Specify Voltage or MVOLT
 MVOLT is a ballast that operates 120V through 277V

Finishes (see inside back cover)

- PTD Painted - specify color code (ex. BRNZ for Bronze)
- BA Brushed Aluminum
- BB Brushed Brass
- BCA Brushed Chrome Alternative
- SNA Satin Nickel Alternative

Diffuser Options (see inside back cover)

- ABA Hand Painted Alabaster Alternative
 - AR Arctic Crush Lumicor®
 - PP Paper Leaf Lumicor®
 - SL Silver Spun Lumicor®
 - SR Saffron Taipei Lumicor®
- Note: White acrylic diffuser is standard unless other diffuser option is specified

Options

- DCC Damp clear coat required for all metal finishes in damp locations
- DIM-A Fluorescent Dimming, Advance Mark 10, specify voltage
- DIM-L Fluorescent Dimming, Eco-10, specify voltage
- REM Remote emergency battery pack for fluorescent lamping
- XEM Emergency battery pack mounted in provided recessed box for fluorescent lamping (replaces standard junction box)
- XPS Express 10 day shipment

PHOTOMETRICS and BIM

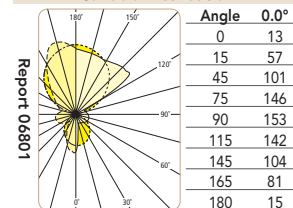
Complete BIM (Building Information Modeling) and photometric files for these models may be downloaded from www.visalighting.com

Reports

IES File Number	LER	Report	page
CB6432-1FS24	52		
CB6434-1FS39	51	06801	413
CB6436-1FS54	58		
CB6444-1FS24	52		
CB6446-1FS39	51	06801	413
CB6448-1FS54	58		

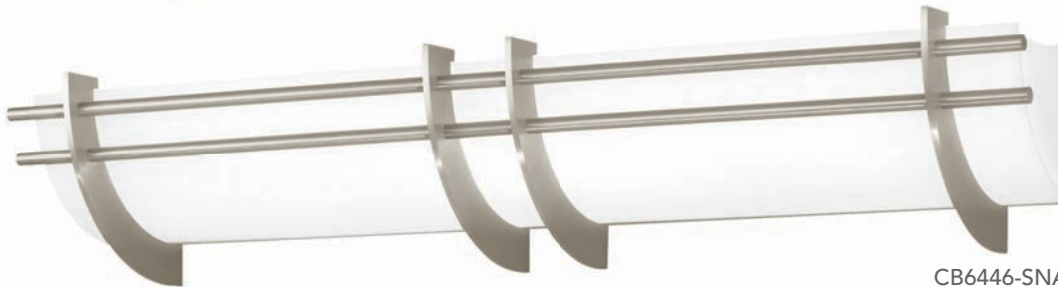
See report on indicated page for complete detail

Candela Distribution





CB6434-BA

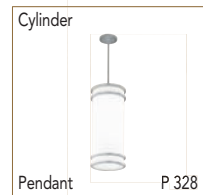
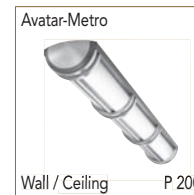
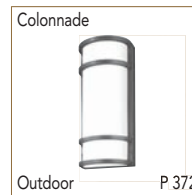


CB6446-SNA

FEATURES

- 5 year product warranty
- Heavy gauge fabricated metal backbox with painted white end caps
- 1/4" thick solid metal accent fins
- Solid metal bar trim
- Oven cured no VOC acrylic powder coat for painted finishes; oven cured low VOC clear coat on metal finishes
- Extruded 1/8" thick white acrylic diffuser with matte finish, UV stable, UL-94 HB Flame Class rated
- Optional specialty diffuser materials available, including some Lumicor® recyclable resin materials
- Easy tool-less relamping
- Fluorescent lamping
- High power factor electronic ballast
- Mounts to standard electrical junction box (by others) with provided hardware. XEM option requires replacement of junction box with proprietary junction box (included with XEM option). The XEM junction box is available as a ship-ahead component for rough-in if needed

COMPANIONS



SUGGESTED VARIATIONS

- Specialty finishes to match architectural detail
- Add or remove accent detail
- Add perforated or solid metal overlay with custom cut-out
- Substitute rolled metal fascia in place of acrylic diffuser
- Fused circuit protection
- Can be constructed of non-ferrous materials for use in magnetic resonance imaging (MRI) rooms
- Alternate fluorescent linear lamping



Approved for indoor damp locations.
Metal finishes require DCC (damp clear coat) for 5 year warranty