

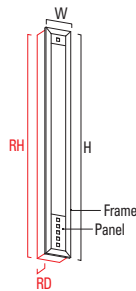
SAMPLE CATALOG NUMBER

CV1650 - 1FS21(120V) - TW9016 - BA - FUSE
 Model Number Lamping Option (Voltage) Frame Finish Panel Finish Option

Model				Lamping Options	Finish		Diffuser Options		Options	
Model Number	Dimensions				Frame	Panel				
CV1648 ZDA	W	5-1/4"	(133 mm)	1FS14	PTD	PTD	• ABA	• SL	DCC	IEM
	H	24"	(610 mm)	1FS24	BA	BA	• AR	• SR	• DIM-L	XPS
	D	1/2"	(13 mm)		BCA		• PP		FUSE	
	RH	23-5/8"	(600 mm)		SNA					
	RD	3-1/2"	(89 mm)						White acrylic standard	
CV1650 ZDA	W	5-1/4"	(133 mm)	1FS21	PTD	PTD	• ABA	• SL	DCC	IEM
	H	36"	(914 mm)	1FS39	BA	BA	• AR	• SR	• DIM-L	XPS
	D	1/2"	(13 mm)		BCA		• PP		FUSE	
	RH	35-5/8"	(905 mm)		SNA					
	RD	3-1/2"	(89 mm)						White acrylic standard	
CV1652 ZDA	W	5-1/4"	(133 mm)	1FS28	PTD	PTD	• ABA	• SL	DCC	FUSE
	H	47-1/2"	(610 mm)	1FS54	BA	BA	• AR	• SR	• DIM-A	IEM
	D	1/2"	(13 mm)		BCA		• PP		• DIM-L	XPS
	RH	47-1/8"	(1197 mm)		SNA					
	RD	3-1/2"	(89 mm)						White acrylic standard	
CV1654 ZDA	W	5-1/4"	(133 mm)	1FS35	PTD	PTD	• ABA	• SL	DCC	FUSE
	H	59-1/2"	(1511 mm)	1FS80	BA	BA	• AR	• SR	FUSE	XPS
	D	1/2"	(13 mm)		BCA		• PP		XPS	
	RH	59-1/8"	(1502 mm)		SNA					
	RD	3-1/2"	(89 mm)						White acrylic standard	

LINE DRAWINGS

CV1648 / CV1650 / CV1652 / CV1654



ABBREVIATION KEY

- Indicated Finish or Option is not available with XPS

Dimensions		
W	Width	
H	Height	
D	Depth (measured from wall to front of fixture)	
RH	Recessed Height	
RD	Recessed Depth	
Lamping Options (Voltage)		
FS14	14w T-5, mini bi-pin base, FLR	(MVOLT)
FS21	21w T-5, mini bi-pin base, FLR	(MVOLT)
FS24	24w T-5/HO, mini bi-pin base, FLR	(MVOLT)
FS28	28w T-5, mini bi-pin base, FLR	(MVOLT)
FS35	35w T-5, mini bi-pin base, FLR	(MVOLT)
FS39	39w T-5/HO, mini bi-pin base, FLR	(MVOLT)
FS54	54w T-5/HO, mini bi-pin base, FLR	(MVOLT; 347V)
FS80	80w T-5/HO, mini bi-pin base, FLR	(MVOLT)
Specify Voltage or MVOLT		
MVOLT is a ballast that operates 120V through 277V		
T-5/HO lamp source exceeds VISA standards for brightness		

Finishes (see inside back cover)	
PTD	Painted - specify color code (ex. BRNZ for Bronze)
BA	Brushed Aluminum
BCA	Brushed Chrome Alternative
SNA	Satin Nickel Alternative

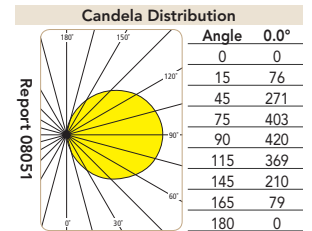
Diffuser Options (see inside back cover)	
• ABA	Hand Painted Alabaster Alternative
• AR	Arctic Crush Lumicor®
• PP	Paper Leaf Lumicor®
• SL	Silver Spun Lumicor®
• SR	Saffron Taipei Lumicor®
Note: White acrylic diffuser is standard unless other diffuser option is specified	

Options	
DCC	Damp clear coat required for all metal finishes in damp locations
• DIM-A	Fluorescent dimming, Advance Mark 10 (FS54 only), specify 120V or 277V
• DIM-L	Fluorescent dimming, Lutron Eco-10, specify 120V or 277V
FUSE	Fusing
IEM	Integral emergency battery pack (dry location), specify voltage
XPS	Express 10 day shipping

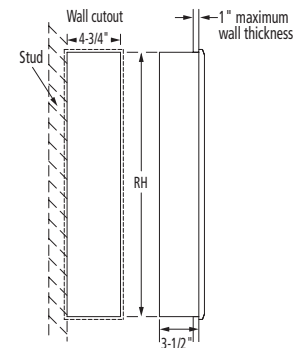
PHOTOMETRICS and BIM

Complete BIM (Building Information Modeling) and photometric files for these models may be downloaded from www.visalighting.com

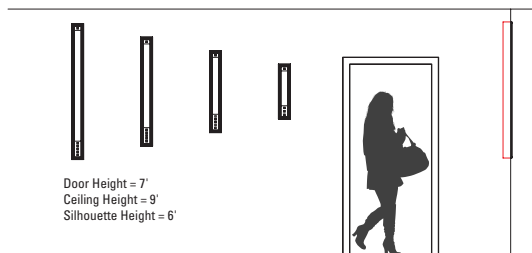
Reports		
IES File Number	LER	Report page
CV1648-1FS14	28	
CV1650-1FS21	31	
CV1650-1FS39	28	08051 415
CV1652-1FS28	32	
CV1654-1FS35	33	
See report on indicated page for complete detail		



Mounting Detail



Note: One long edge of cutout must be adjacent to the wall stud or other appropriate mounting structure



VISAGE™

INDOOR

DECORATIVE AND PERFORMANCE

WALL / CEILING



CV1650-TW9016-BA



Visage can be mounted vertically or horizontally
(may require modification to existing wall structure)

COMPANIONS



FEATURES

- 5 year product warranty
- ADA compliant
- Extruded aluminum frame
- 1/8" thick white acrylic diffuser with matte finish, UV stable, UL-94 HB flame class rated
- 1/8" thick blue acrylic accents lens
- Oven cured no VOC acrylic powder coat for painted finishes; oven cured low VOC clear coat on metal finishes
- Fluorescent lamping
- High power factor electronic ballast
- Mounting suitable for drywall applications in wall or ceiling
- Shallow 3-1/2" depth recessed housing rated for through-circuit wiring
- Recessed housing in stock and available for rough-in installation

SUGGESTED VARIATIONS

- Specialty finishes to match architectural detail
- Mix and match accents and trim from other product designs
- Special lens or diffuser inserts
- Increase or decrease fixture height and/or width
- Different color accent squares
- Can be constructed to meet direct contact with insulation requirements
- Add graphics such as logos and way finding



Approved for indoor damp locations.
Metal finishes require DCC (damp clear coat) for 5 year warranty