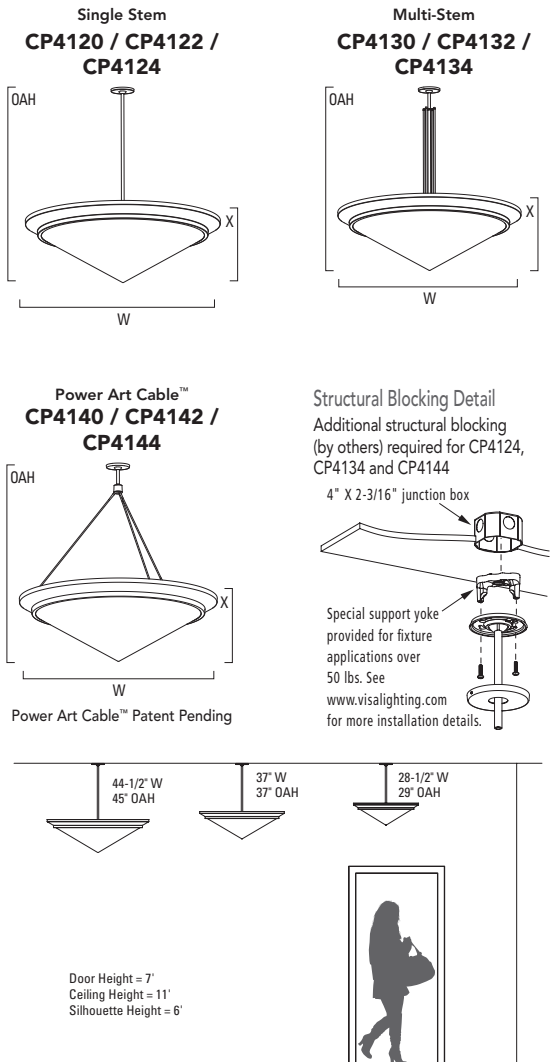


**SAMPLE CATALOG NUMBER**

CP4132 - 6TF42-2FCS40/22(120V) - BA - FUSE - OAH(34)  
 Model Number Lamping Option (Voltage) Finish Option Option

Model		Lamping Options		Finish		Options	
Model Number	Dimensions	Uplight - Bowl Light					
<b>25" Cone</b>							
<b>CP4120</b> (Single Stem)	W 28-1/2" (724 mm) OAH 28" (711 mm)	<b>4F39 - 1TF42</b> ※ <b>4TF42 - 1TF42</b>		<b>PTD</b> • <b>CB</b> <b>BA</b> • <b>PB</b> <b>BB</b> • <b>SN</b>	<b>BCA</b> • <b>SNA</b> • <b>BCB</b>	• <b>ABA</b> • <b>FUSE</b> <b>BRD</b> • <b>OAH</b> <b>DCC</b> • <b>REM</b> • <b>DIM-A</b> • <b>TL</b> • <b>DIM-L</b> • <b>XPS</b>	
<b>CP4130</b> (Multi-Stem)	X 9-7/8" (251 mm)						
<b>CP4140</b> (Power Art Cable)	NBS 23x7" (584x178 mm)						
<b>33" Cone</b>							
<b>CP4122</b> (Single Stem)	W 37" (940 mm) OAH 34" (864 mm)	<b>6F50 - 2FCS40/22</b> <b>6F55 - 2FCS40/22</b> ※ <b>6TF42 - 2FCS40/22</b>		<b>PTD</b> • <b>CB</b> <b>BA</b> • <b>PB</b> <b>BB</b> • <b>SN</b>	<b>BCA</b> • <b>SNA</b> • <b>BCB</b>	• <b>ABA</b> • <b>FUSE</b> <b>BRD</b> • <b>IEM</b> <b>DCC</b> • <b>OAH</b> • <b>DIM-A</b> • <b>TL</b> • <b>DIM-L</b> • <b>XPS</b>	
<b>CP4132</b> (Multi-Stem)	X 11-3/4" (298 mm)						
<b>CP4142</b> (Power Art Cable)	NBS 31x9" (787x229 mm)						
<b>40" Cone</b>							
<b>CP4124</b> (Single Stem)	W 44-1/2" (1130 mm) OAH 42" (1067 mm)	<b>8F50 - 2F50</b> <b>8F55 - 2F55</b> ※ <b>10TF42 - 2TF42</b>		<b>PTD</b> • <b>CB</b> <b>BA</b> • <b>PB</b> • <b>BB</b> • <b>SN</b>	<b>BCA</b> • <b>SNA</b> • <b>BCB</b>	• <b>ABA</b> • <b>FUSE</b> <b>BRD</b> • <b>IEM</b> <b>DCC</b> • <b>OAH</b> • <b>DIM-A</b> • <b>TL</b> • <b>DIM-L</b> • <b>XPS</b>	
<b>CP4134</b> (Multi-Stem)	X 14-1/4" (362 mm)						
<b>CP4144</b> (Power Art Cable)	NBS 37x11" (940x279 mm)						

**LINE DRAWINGS**



**ABBREVIATION KEY**

- Indicated Finish or Option is not available with XPS
- ※ Configuration operates TF26, TF32 or TF42 lamp options and can be labeled up to the highest wattage allowed

Dimensions	
W	Width
OAH	Overall Height
X	Body Height
NBS	Nominal Bowl Size

Lamping Options (Voltage)	
F39	39w long twin tube, 2G11 base, FLR (MVOLT)
F50	50w long twin tube, 2G11 base, FLR (MVOLT)
F55	55w long twin tube, 2G11 base, FLR (MVOLT)
※ TF26	26w triple, 4-pin GX24q-3 base, FLR (MVOLT; 347V)
※ TF32	32w triple, 4-pin GX24q-3 base, FLR (MVOLT; 347V)
※ TF42	42w triple, 4-pin GX24q-4 base, FLR (MVOLT; 347V)
FCS22	22w T-5, circular, 2GX13 base, FLR (MVOLT; 347V)
FCS40	40w T-5, circular, 2GX13 base, FLR (MVOLT; 347V)

Specify Voltage or MVOLT  
MVOLT is a ballast that operates 120V through 277V

Finishes (see inside back cover)	
PTD	Painted - specify color code (ex. BRNZ for Bronze)
BA	Brushed Aluminum
BB	Brushed Brass
BCA	Brushed Chrome Alternative
• BCB	Brushed Chrome
• CB	Polished Chrome
PB	Polished Brass
• SN	Satin Nickel
SNA	Satin Nickel Alternative

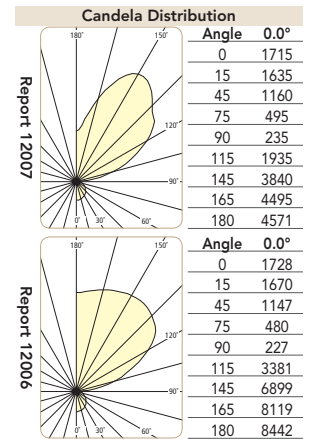
- | Options |   |
|---------|---|
| • ABA   | Hand Painted Alabaster Alternative  |
| BRD     | Batwing reflector distribution for fluorescent lamping  |
| DCC     | Damp clear coat required for all metal finishes in damp locations   |
| • DIM-A | Dimming, Advance Mark 10; uplight for F39 and 6TF42; uplight and bowl light with 4TF42 and 10TF42   |
| • DIM-L | Dimming, Lutron Eco-10; uplight for 4F39 and 6F50; uplight and bowl light with 8F50. Lutron Compact SE; uplight for 4TF42 and 6TF42; uplight and bowl light with 10TF42 |
| FUSE    | Fusing, specify 120V or 277V  |
| IEM     | Integral emergency battery pack, specify voltage  |
| OAH     | Overall height variation from standard. Include desired height in inches. (ex. OAH(34) will produce an overall fixture height of 34")                                   |
| REM     | Remote emergency battery pack for fluorescent lamping (see page 435 for detailed information)   |
| • TL    | Top lens, tempered prismatic glass  |
| XPS     | Express 10 day shipping   |

**PHOTOMETRICS and BIM**

Complete BIM (Building Information Modeling) and photometric files for these models may be downloaded from [www.visalighting.com](http://www.visalighting.com)

Reports (per arm)		
IES File Number	LER	Report page
CP4120-4F39(BRD)-1TF42	46	
CP4120-4F39-1TF42	48	
CP4122-6F55(BRD)-2FCS40/22	64	
CP4122-6F55-2FCS40/22	66	
CP4124-8F55(BRD)-2F55	65	12007 425
CP4124-8F55-2F55	67	12006 425

See report on indicated page for complete detail



# CONE™

INDOOR

DECORATIVE AND  
PERFORMANCE



## FEATURES

- 5 year product warranty
- UL approved Power Art Cable™ mounting system (patent pending) uses a braided stainless steel jacket to encapsulate power conductors and provide support with configurations rated for loads up to 150 lbs
- Heavy gauge spun metal trim
- Oven cured no VOC acrylic powder coat for painted finishes; oven cured low VOC clear coat on metal finishes
- Thermally formed 1/8" thick white acrylic diffuser with matte finish, UV stable, UL-94 HB Flame Class rated
- Uplight and bowl light separated for optical performance and wired for discrete operation
- Easy tool-less relamping
- Fluorescent reflector in standard wide distribution and optional batwing distribution (see page 424 for photometrics and page 437 for illustration)
- Fluorescent lampholder
- High power factor electronic ballast
- Mounts to standard electrical junction box (by others) for sloped ceiling up to 45 degrees from horizontal. Structural blocking with a 4" octagonal by 2-3/16" deep junction box (by others) is required for CP4124, CP4134 and CP4144

## COMPANIONS



## SUGGESTED VARIATIONS

- Specialty finishes to match architectural detail
- Mix and match accents and trim from other product designs
- Sloped ceiling adapter for ceiling slopes greater than 45 degrees
- Can be configured to accommodate lowering system mounting (by others)
- Wire for multi-level switching
- Weather Tether to secure fixture from wind or excess movement. Safety requirement for all outdoor covered applications
- Alternate lampholder up to rated wattage listed
- Alternate dimming options



Approved for indoor damp locations.  
Metal finishes require DCC (damp clear coat) for 5 year warranty

PENDANT