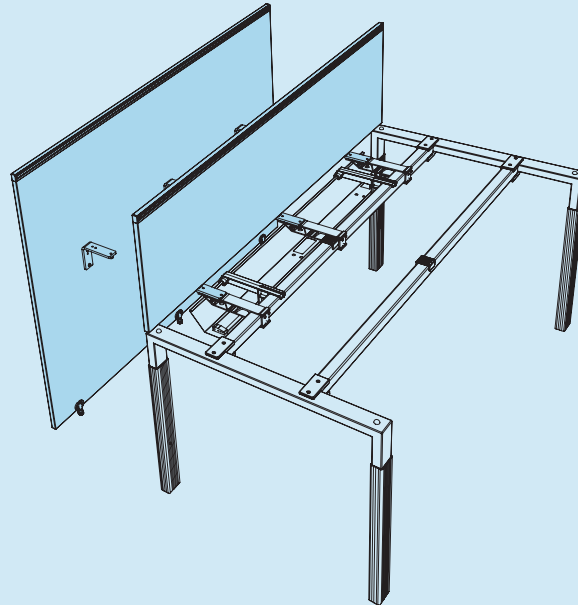
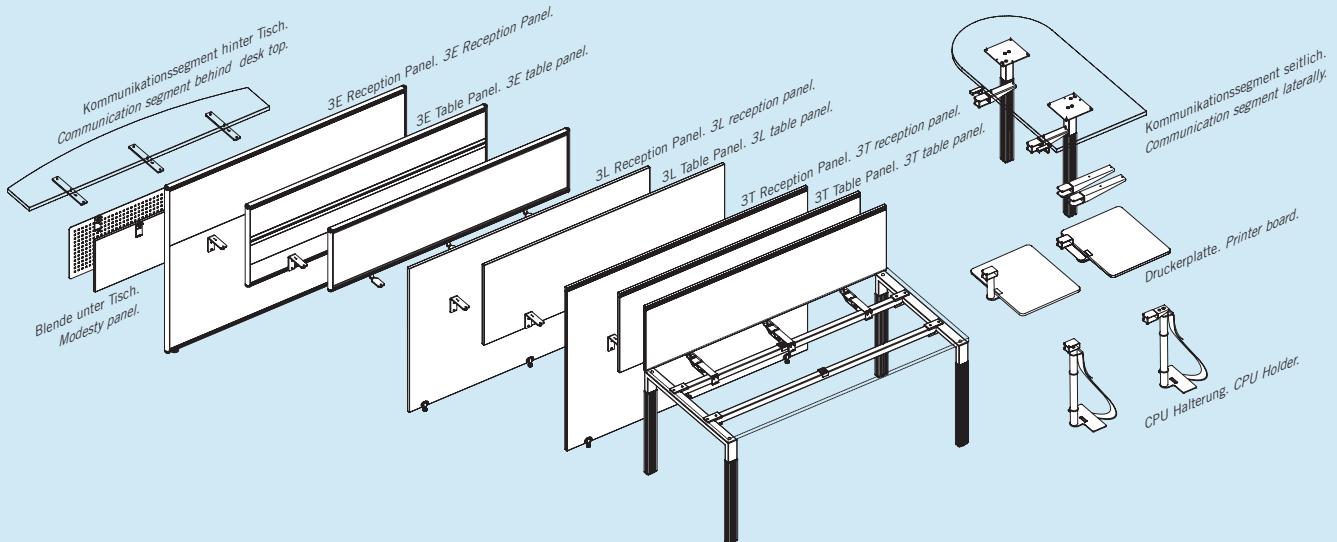
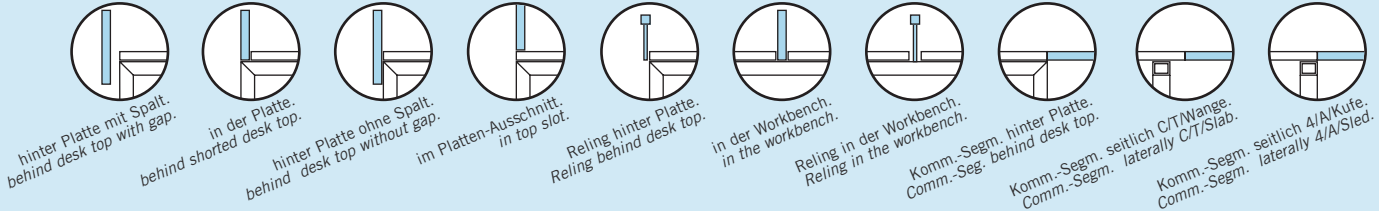


DRITTE EBENE 3T **THIRD LEVEL 3T**

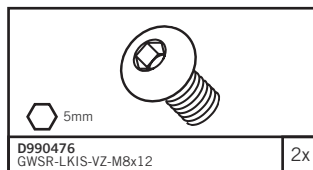
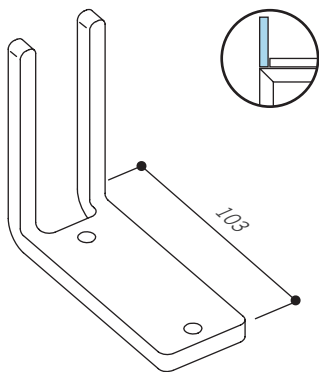


Produktübersicht.....	2
3T Table Panel in der Platte u. in Workbench.....	3
R3/3E/3L/3T hinter Platte mit Spalt.....	4
R3/3E/3L/3T hinter Platte ohne Spalt.....	5
3E im Plattenausschnitt u. 3E in Workbench.....	6
Reling hinter Platte.....	7
R3/3E/3T seitlich ohne Spalt.....	8
Kommunikationssegment seitlich an 4-Fuss/A-Fuss/Kufen-Fuß.....	9
Kommunikationssegment seitlich an C-Fuss/T-Fuss/Wangen-Fuß.....	10
Kommunikationssegment besucherseitig.....	11
Druckerplatte, CPU-Halterung.....	12
Notizen.....	13
Notizen.....	14

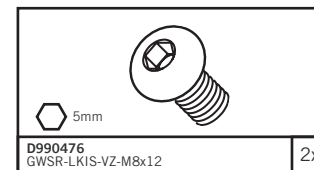
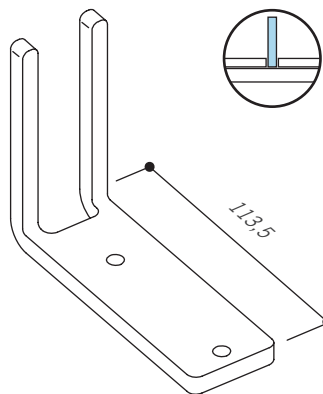
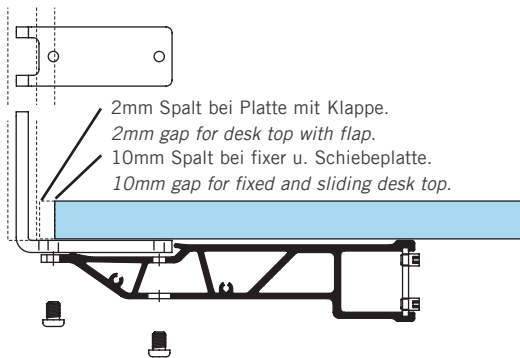
<i>Products at a Glance.....</i>	<i>2</i>
<i>3T Table Panel in the desk top and in the workbench.....</i>	<i>3</i>
<i>R3/3E/3L/3T Behind desk top with gap.....</i>	<i>4</i>
<i>R3/3E/3L/3T Behind desk top without gap.....</i>	<i>5</i>
<i>3E in top slot and 3E in workbench.....</i>	<i>6</i>
<i>Reling behind desk top.....</i>	<i>7</i>
<i>R3/3E/3T laterally without gap.....</i>	<i>8</i>
<i>Communication segment lateral to 4-leg/A-leg/sled-leg.....</i>	<i>9</i>
<i>Communication segment lateral to C-leg/T-leg/T-leg/Slab-leg.....</i>	<i>10</i>
<i>Communication segment. Visitors side.....</i>	<i>11</i>
<i>Printer board, CPU holder.....</i>	<i>12</i>
<i>Notes.....</i>	<i>13</i>
<i>Notes.....</i>	<i>14</i>



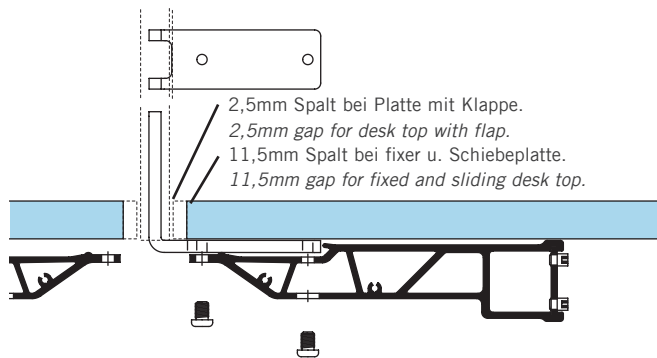
3T TABLE PANEL IN DER PLATTE U. IN WORKBENCH.
 3T TABLE PANEL IN THE DESK TOP AND IN THE WORKBENCH.



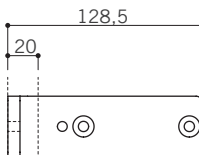
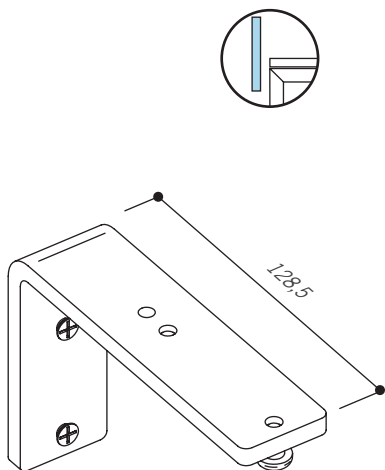
Montage in der Platte.
 Mounting in the desk top.



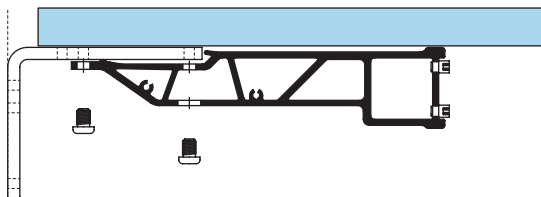
Montage in der Workbench
 Mounting in the workbench



R3/3E/3L/3T HINTER PLATTE MIT SPALT.
R3/3E/3L/3T BEHIND DESK TOP WITH GAP.



20mm Spalt bei fixer u. Schiebepalte sowie Platte mit Klappe.
20mm gap for fixed/sliding desk top and desk top with flap.



Schraubenbedarf/Stk. Screws needed/pcs.



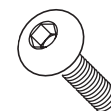
D990046
SPAX-RWPZ-VZ-6/25



D990353
SPAX-RWPZ-VZ-5/20



D506500
HAMMERMUTTER. NUT.

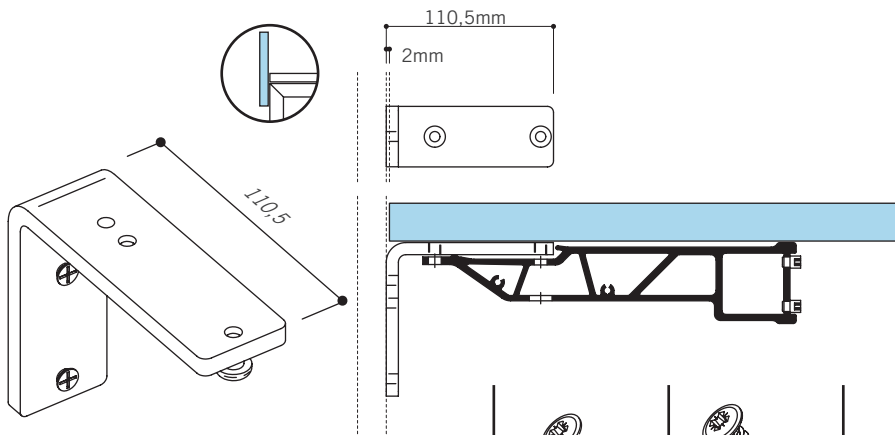


D990379
GWSR-LKIS-SZ-M6x16




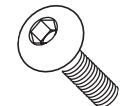



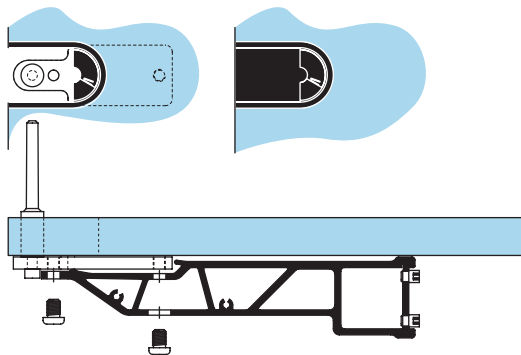
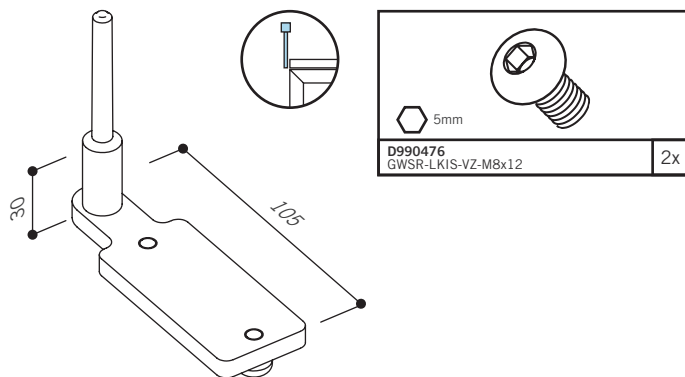
D990476
GWSR-LKIS-VZ-M8x12

3E Reception Panel. <i>3E reception panel.</i>	2 Stk.				2 Stk.
3T Reception Panel. <i>3T reception panel.</i>		2 Stk.			2 Stk.
R3 Stellwand. <i>R3 dividing wall.</i>	2 Stk.				2 Stk.
3L Reception Panel. <i>3L reception panel.</i>		2 Stk.			2 Stk.
3L Table Panel. <i>3L table panel.</i>		2 Stk.			2 Stk.
3E Table Panel. <i>3E table panel.</i>	1 Stk.		1 Stk.	1 Stk.	2 Stk.

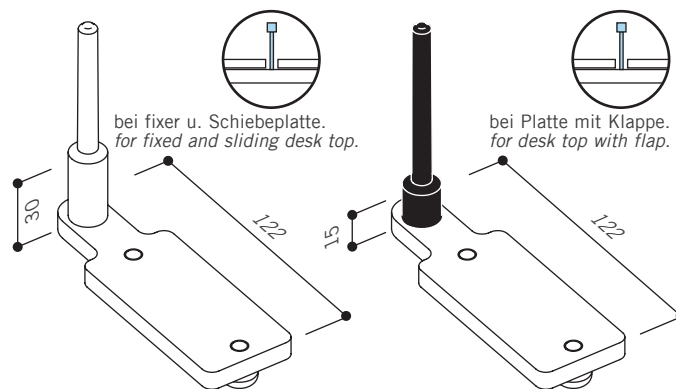


Schraubenbedarf/Stk. Screws needed/pcs.

	 D990046 SPAX-RWPZ-VZ-6/25	 D990353 SPAX-RWPZ-VZ-5/20	 D506500 HAMMERMUTTER. NUT.	 D990379 GWSR-LKIS-SZ-M6x16	 D990476 GWSR-LKIS-VZ-M8x12
3E Reception Panel. <i>3E reception panel.</i>	2 Stk.				2 Stk.
3T Reception Panel. <i>3T reception panel.</i>		2 Stk.			2 Stk.
R3 Stellwand. <i>R3 dividing wall.</i>	2 Stk.				2 Stk.
3L Reception Panel. <i>3L reception panel.</i>		2 Stk.			2 Stk.
3L Table Panel. <i>3L table panel.</i>		2 Stk.			2 Stk.
3E Table Panel. <i>3E table panel.</i>	1 Stk.		1 Stk.	1 Stk.	2 Stk.

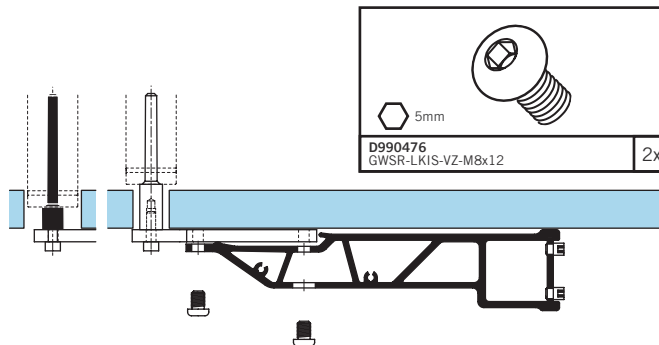


Montage der 3E im Plattenausschnitt. *Mounting of 3E in top slot.*



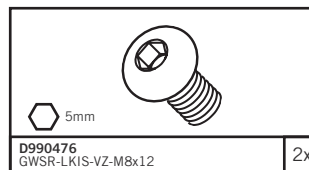
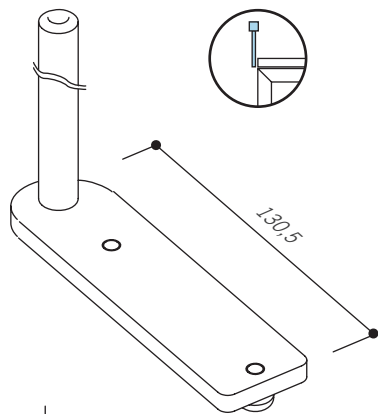
bei fixer u. Schiebeplatte.
 for fixed and sliding desk top.

bei Platte mit Klappe.
 for desk top with flap.



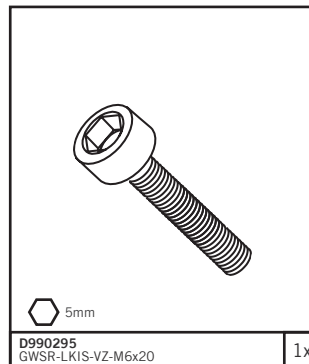
Montage der 3E in Workbench. *Mounting of 3E in workbench.*

RELING HINTER PLATTE.
RELING BEHIND DESK TOP.



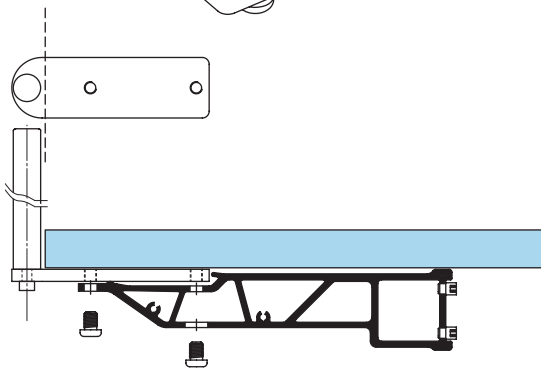
D990476
GWSR-LKIS-VZ-M8x12

2x



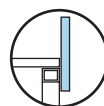
D990295
GWSR-LKIS-VZ-M6x20

1x

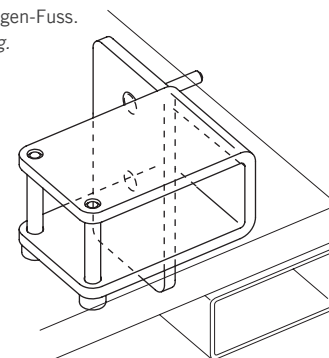
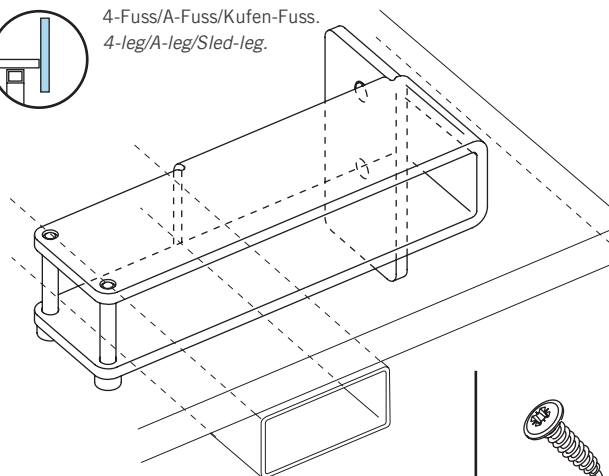




4-Fuss/A-Fuss/Kufen-Fuss.
4-leg/A-leg/Sled-leg.



C-Fuss/T-Fuss/Wangen-Fuss.
C-leg/T-leg/Slab-leg.



Schraubenbedarf/Stk. Screws needed/pcs.



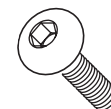
D990046
SPAX-RWPZ-VZ-6/25



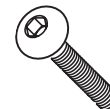
D990353
SPAX-RWPZ-VZ-5/20



D506500
HAMMERMUTTER. NUT.



D990379
GWSR-LKIS-SZ-M6x16



D990429
GWSR-ZKIS-VZ-M6x40

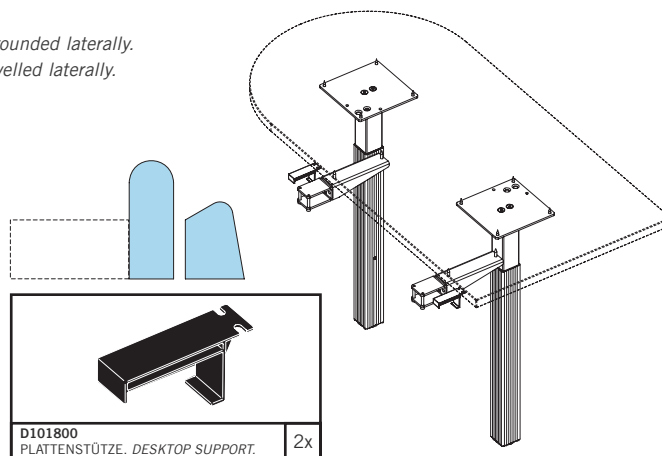
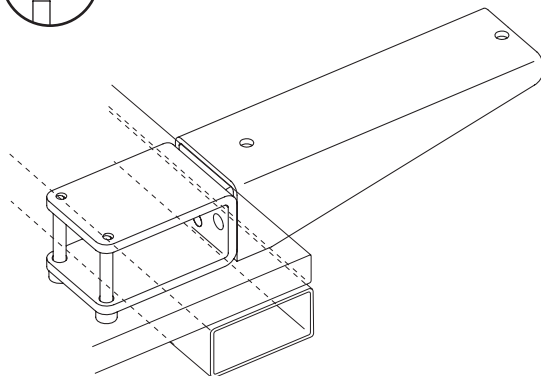
3E Reception Panel. <i>3E reception panel.</i>	2 Stk.				2 Stk.
3T Reception Panel. <i>3T reception panel.</i>		2 Stk.			2 Stk.
R3 Stellwand. <i>R3 dividing wall.</i>	2 Stk.				2 Stk.
3L Reception Panel. <i>3L reception panel.</i>		2 Stk.			2 Stk.
3L Table Panel. <i>3L table panel.</i>		2 Stk.			2 Stk.
3E Table Panel. <i>3E table panel.</i>	1 Stk.		1 Stk.	1 Stk.	2 Stk.







4-Fuss/A-Fuss/Kufen-Fuss. 4-leg/A-leg/Sleg-leg.

Kommunikationssegment seitlich gerundet. *Communication segment rounded laterally.*

Kommunikationssegment seitlich schräg. *Communication segment bevelled laterally.*



D101800
 PLATTENSTÜTZE, DESKTOP SUPPORT. 2x

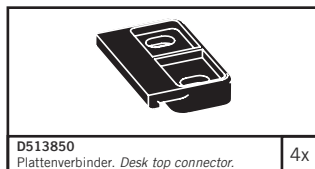
Schraubenbedarf/Stk. <i>Screws needed/pcs.</i>	 D990046 SPAX-RWPZ-VZ-6/25	 D990151 SPAX-RWPZ-VZ-5/20	 D990456 EJOT-PHPR-VZ-6x12	 D990429 GWSR-ZKIS-VZ-M6x40
Compactplatte. <i>compact laminate.</i> 13mm			2 Stk.	2 Stk.
Spanplatte. <i>chipboard.</i> 19mm	2 Stk.			2 Stk.
Spanplatte. <i>chipboard.</i> 25mm		2 Stk.		2 Stk.



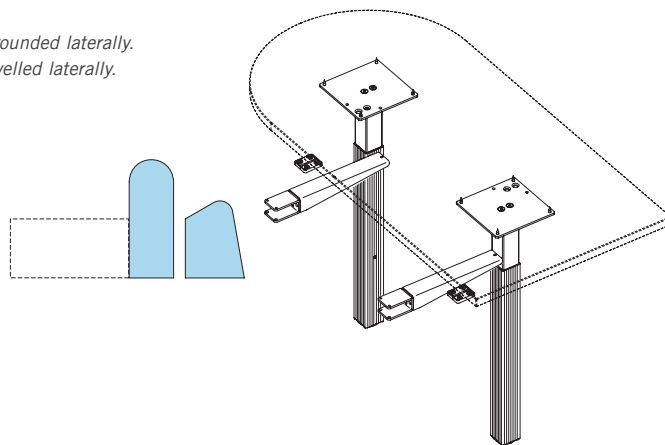
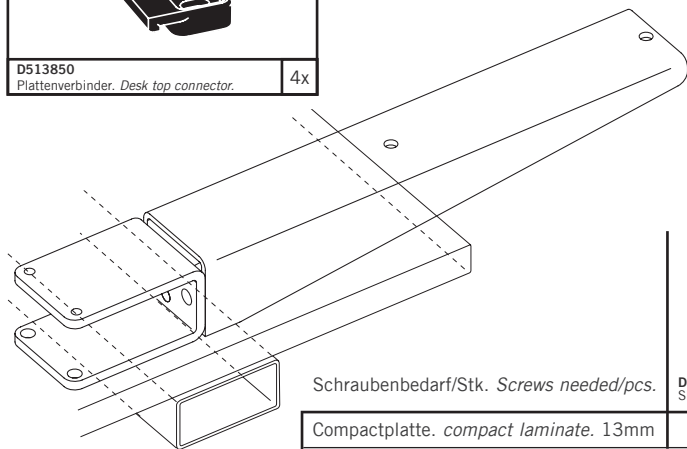
C-Fuss/T-Fuss/Wangen-Fuss. *C-leg/T-leg/slab-leg.*





Kommunikationssegment seitlich gerundet. *Communication segment rounded laterally.*

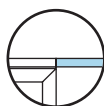
Kommunikationssegment seitlich schräg. *Communication segment bevelled laterally.*



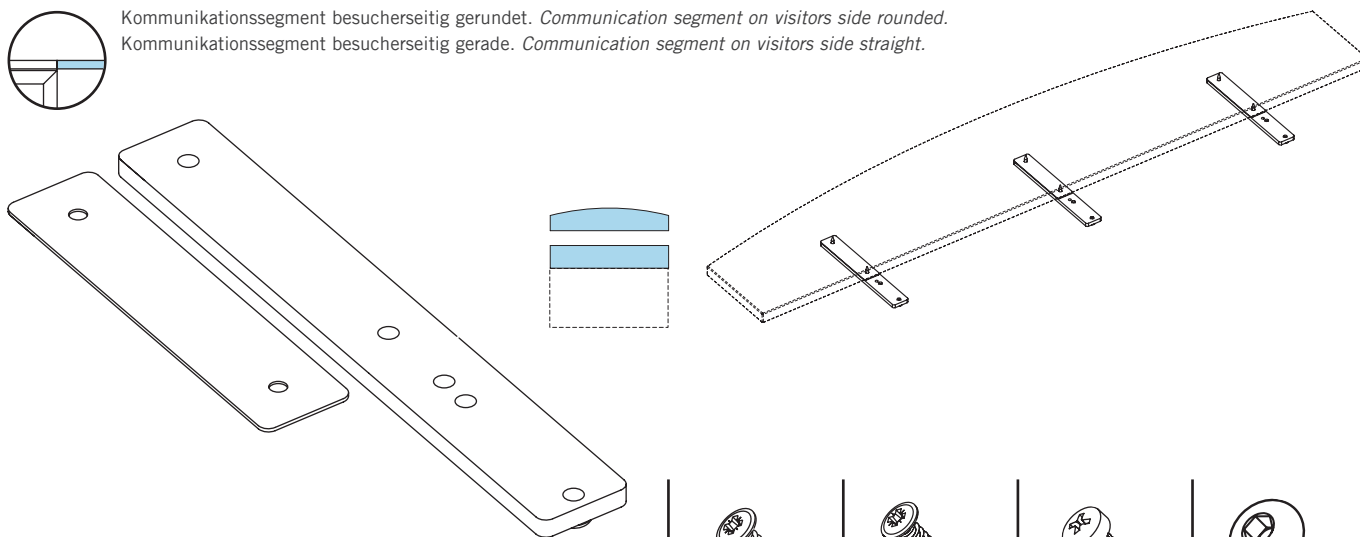
D513850
 Plattenverbinder. *Desk top connector.* 4x







Schraubenbedarf/Stk. <i>Screws needed/pcs.</i>	 D990046 SPAX-RWPZ-VZ-6/25	 D990151 SPAX-RWPZ-VZ-5/20	 D990456 EJOT-PHPR-VZ-6x12	 D990429 GWSR-ZKIS-VZ-M6x40
Compactplatte. <i>compact laminate.</i> 13mm			2 Stk.	2 Stk.
Spanplatte. <i>chipboard.</i> 19mm		2 Stk.		2 Stk.
Spanplatte. <i>chipboard.</i> 25mm	2 Stk.			2 Stk.

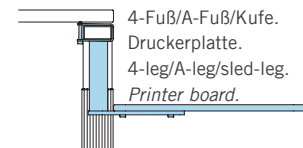
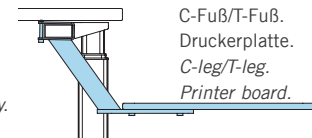
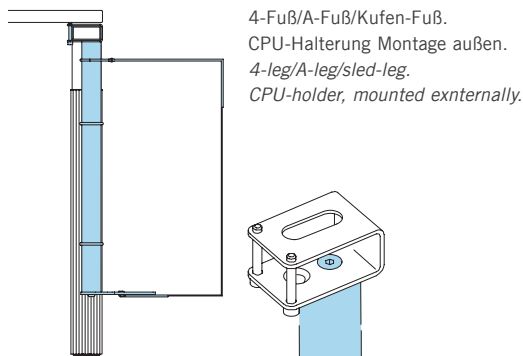
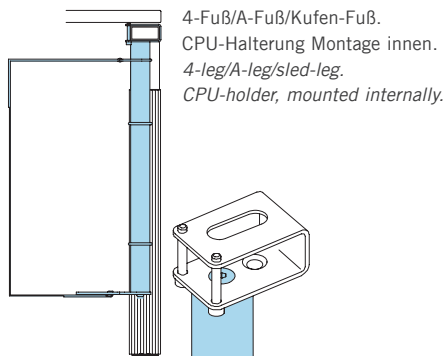
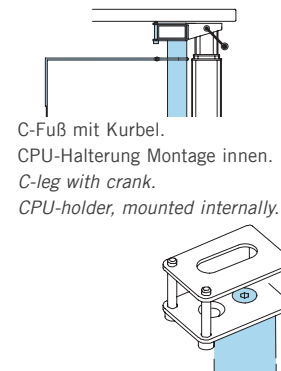
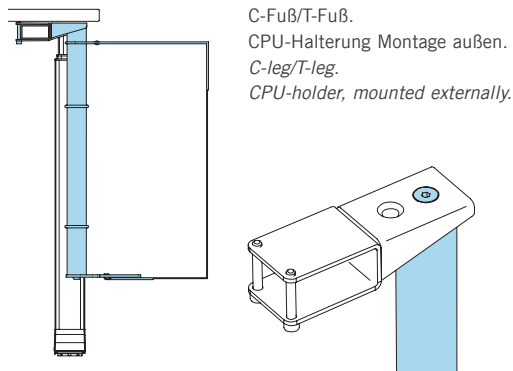
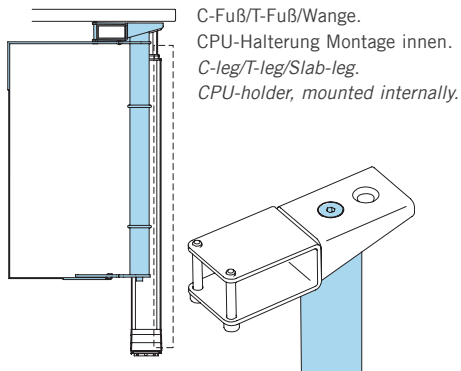


Kommunikationssegment besucherseitig gerundet. *Communication segment on visitors side rounded.*
 Kommunikationssegment besucherseitig gerade. *Communication segment on visitors side straight.*



Schraubenbedarf/Stk. *Screws needed/pcs.*

				
	D990046 SPAX-RWPZ-VZ-6/25	D990151 SPAX-RWPZ-VZ-5/20	D990456 EJOT-PHPR-VZ-6x12	D990427 GWSR-LKIS-VZ-M8x12
Compactplatte. <i>compact laminate.</i> 13mm			2 Stk.	2 Stk.
Spanplatte. <i>chipboard.</i> 19mm		2 Stk.		2 Stk.
Spanplatte. <i>chipboard.</i> 25mm	2 Stk.			2 Stk.



BENE HEADOFFICE A-3340 WAIDHOFEN/YBBS SCHWARZWIENSENSTRASSE 3 PHONE +43-7442-500-0 E-MAIL OFFICE@BENE.COM

AUSTRIA: BREGENZ, GRAZ, INNSBRUCK, KLAGENFURT, LINZ, SALZBURG, ST. PÖLTEN, VIENNA. **BULGARIA:** SOFIA. **CZECH REPUBLIC:** PRAGUE. **GERMANY:** ASCHAFFENBURG, BERLIN, BONN, DÜSSELDORF, ESSEN, FRANKFURT, HAMBURG, HANNOVER, LEIPZIG, MANNHEIM, MUNICH, SCHWENNINGEN, STUTTGART-MÖHRINGEN. **HUNGARY:** BUDAPEST. **IRELAND:** DUBLIN. **MIDDLE EAST:** DUBAI. **POLAND:** WARSAW. **ROMANIA:** BUCHAREST. **RUSSIAN FEDERATION:** MOSCOW. **SERBIA:** BELGRAD. **SLOVAKIA:** BRATISLAVA. **SLOVENIA:** LJUBLJANA. **SWITZERLAND:** WALLISELEN. **UKRAINE:** KIEV. **UNITED KINGDOM:** LONDON.

TRADING PARTNERS: BELGIUM: ZAVENTEM. **CROATIA:** ZAGREB. **DENMARK:** COPENHAGEN. **FRANCE:** LILLE, LYON, MONTPELLIER, NANTES, NICE, PARIS, TOULOUSE. **GERMANY:** BAYREUTH, BREMEN, DONAUWÖRTH, ERLANGEN, MÜNSTER, NÜRNBERG, REGENSBURG, SAARBRÜCKEN, SAARLOUIS, SÜSSEN. **ITALY:** MERAN. **KUWAIT:** KUWAIT. **LIECHTENSTEIN:** SCHAAN. **LUXEMBOURG:** LUXEMBOURG. **NETHERLANDS:** HAASBERGEN, ROTTERDAM, WILP. **QATAR:** DOHA. **SPAIN:** BARCELONA.

[HTTP://BENE.COM](http://bene.com)