

MOBILE_COM







TEAMWORK NEEDS SPACE.

To access the creative of a potential team, develop new ideas, generate new knowledge and communicate it to others, is the key to the competitiveness of a company.

The project-related collaboration of various specialists is today more important than ever. Although modern information technology is making team communication more independent of place and time, face-to-face communication is acquiring an increasingly important status. Current statistics show that employees are spending more and more time in discussions, meetings, seminars or workshops and less and less time at their own workplace. Office areas devoted to communication are therefore increasing enormously. Space for meetings, conferences, seminars and workshops is becoming increasingly important.







BENE'S CONTRIBUTION TO WORKSHOPS.

The work achieved in a workshop is characterised by a high level of interaction among the participants. Changing roles and the use of various different forms of communication are characteristic for this creative kind of work and create the need for communication rooms to be furnished in variable ways.

In relation to the furniture, the focus is therefore on mobility. More specifically, there is a need for the highest possible flexibility and functionality of the individual pieces of furniture.

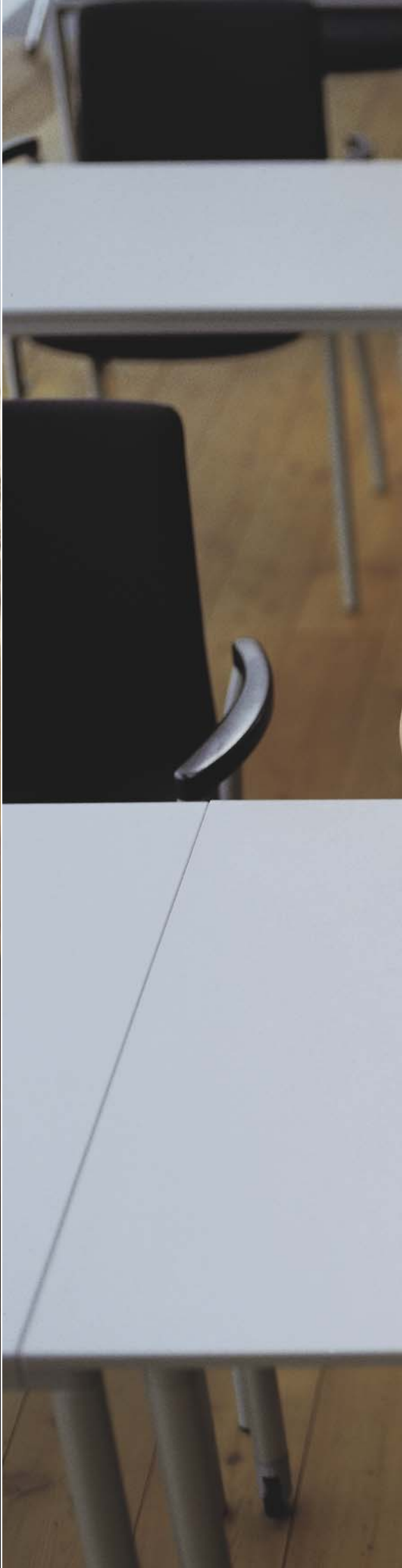
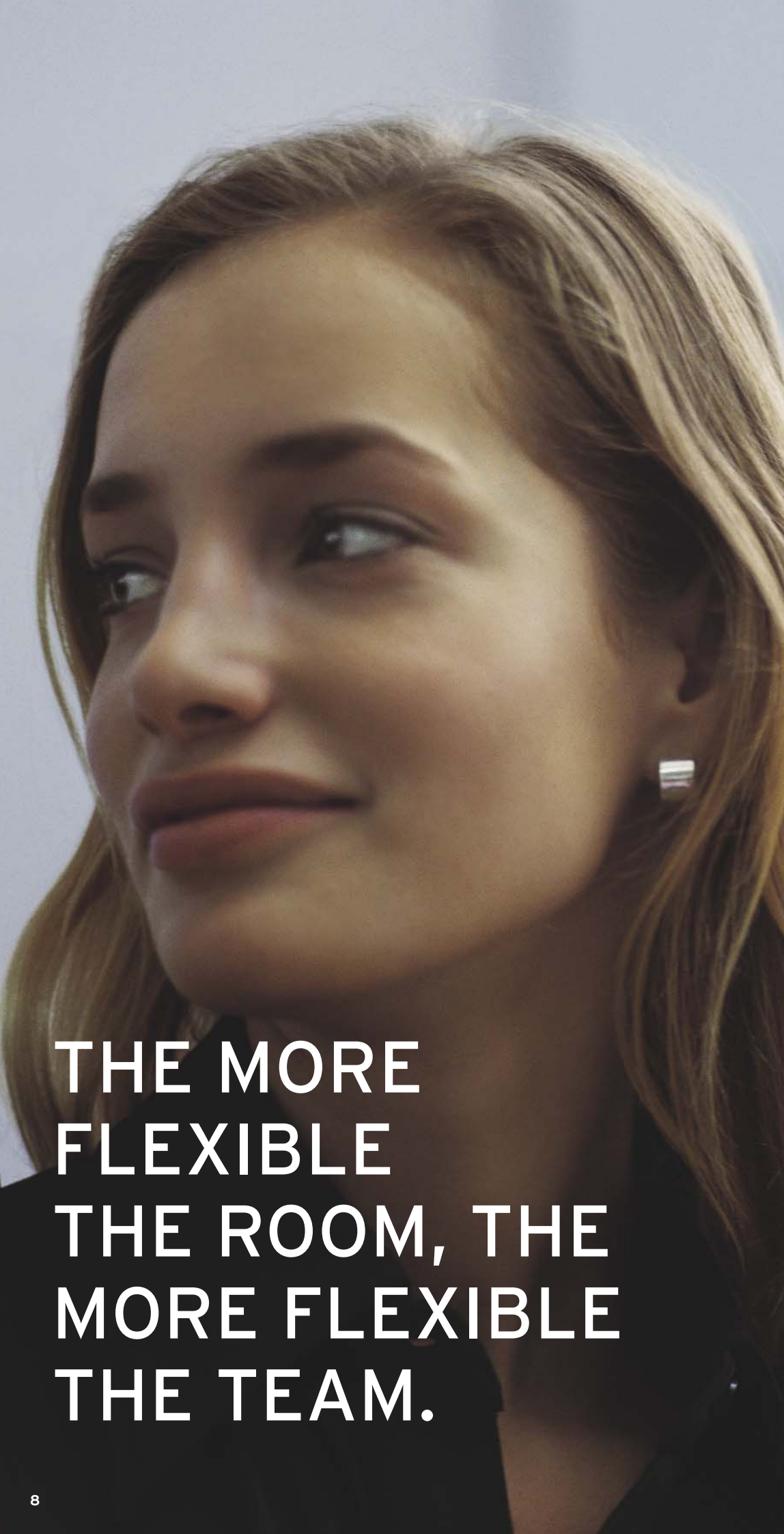
At seminars and workshops the set-up changes in accordance with the requirements of the group. The participants themselves adapt the furniture arrangement and this requires easy and uncomplicated handling.

Bene's Mobile_Com Table fulfils all these requirements. Its intelligent construction and light design, as well as its easy and ergonomic handling, make it the ultimate piece of furniture for this area.

The Mobile_Com Table is mobile, stackable and can be arranged in a variety of configurations. What is surprising is that it can also be put together to form large table surfaces. With the Mobile_Com Table, any of the group-dynamic processes can be reacted to promptly and in an uncomplicated way.

Design: Christian Horner, Kai Stania





**THE MORE
FLEXIBLE
THE ROOM, THE
MORE FLEXIBLE
THE TEAM.**



THE LIGHTNESS OF MOBILE_COM.

Mobile_Com Table captivates through its ease of handling. It has lightness of weight, as well as two castors on the rear feet of the table, giving it mobility. The projecting back table legs make it possible to stack it in a new way. When being stacked, the tables do not have to be lifted up and placed one above the other, but can simply be raised slightly and pushed to move into position.

Due to its simple construction and ergonomic design, the Mobile_Com Table is regarded as exemplary. Up to 5 tables can be stacked in a space-saving way and subsequently pushed using its rollers very lightly - even by just one person. In this way the requirements of the user's situation can be reacted to quickly.









UNLIMITED NUMBER OF PARTICIPANTS.

Lightness and modularity promote the rapid succession of different forms of communication. The high degree of interaction between the workshop participants requires a quick alteration between individual work and work in small or large groups.

In face-to-face communications in a small group, the Mobile_Com Tables can be connected using the longer side without any gap, through the special inclination of the castors.

In the typical row set-up, for example for lectures, the tables are pushed together overlapping at the side. Flexible plastic edges in the cast-metal parts of the feet help to give additional stability to the row set-up.

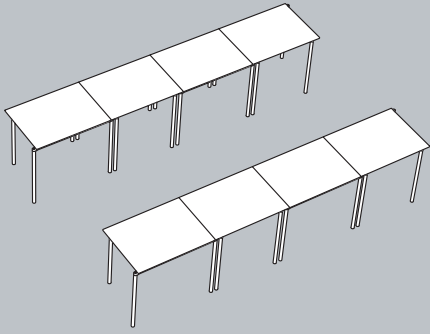




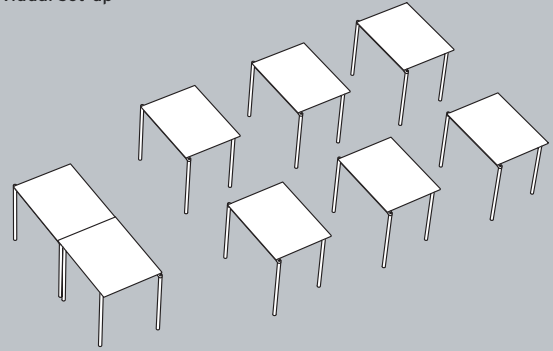
STANDARD CONFIGURATIONS

10 set-up formations using 8 Mobile_Com Tables

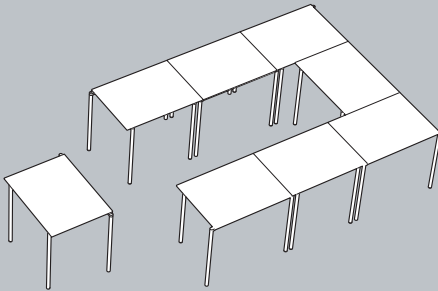
Lecture. Row set-up



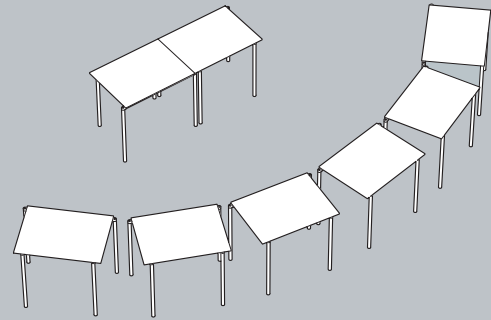
Lecture. Individual set-up



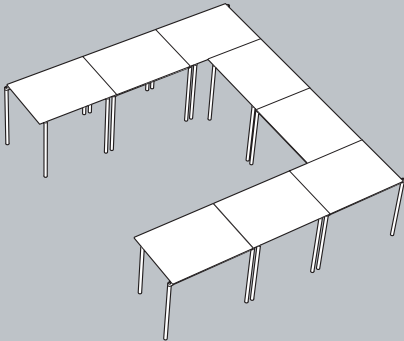
Lecture. U-arrangement



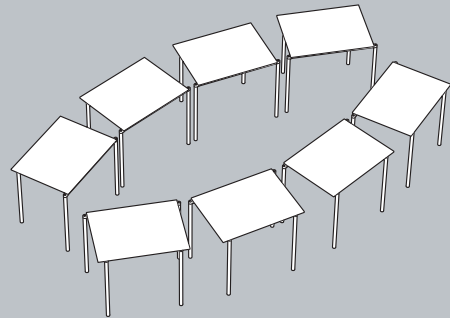
Lecture. Semicircle



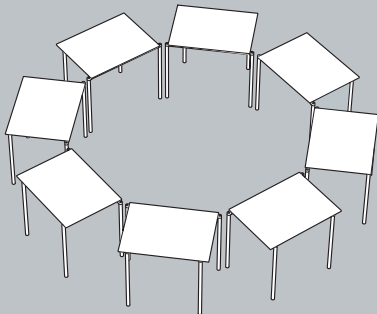
Discussion. U-arrangement



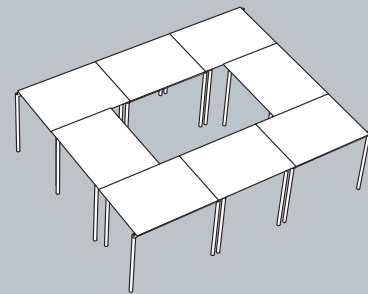
Discussion. Ellipse



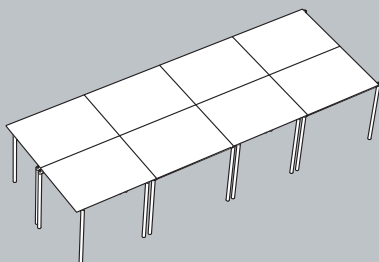
Discussion. Circle



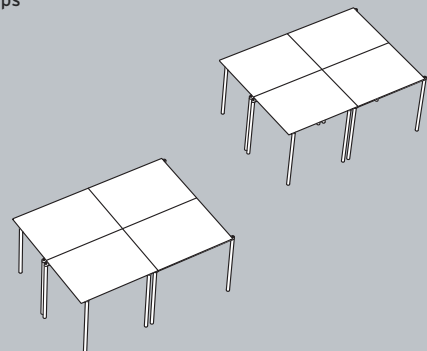
Meeting. Rectangular set-up



Meeting. Block set-up



Work in small groups







TRANSFORMABLE STAGE.

These two examples show just how differently the stage can be set for communication rooms. Using furniture for the COMOFFICE, such as Folding_Com Tables, Mobile_Com Tables, the Sherpa Caddy, pin walls and stackable chairs, any situations that arise in relation to the various forms of communication can be adapted spontaneously and without losing time. In next to no time, the furniture set-up for the row arrangement for a lecture situation (using Mobile_Com Tables) can be turned into a group work set-up (using Folding_Com Tables).



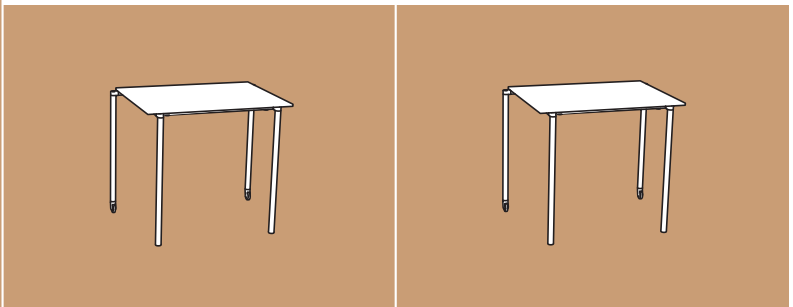
Even in larger communication zones or seminars, the all-inclusive and functionally self-supplementing product range can provide all the furniture variations that might be required, and implement them in a professional way, regardless of whether they are for seminars, workshops, meetings or conferences. Furthermore, the mobile furniture set - which can be folded, stacked, rolled and also compactly stored - enables additional areas to become free for other uses.





MOBILE_COM TABLE

Minimised square panel frame and circular steel tube legs (ø: 30 mm), powder-coated aluminium. Connected by means of cast aluminium joints. Supplied with 2 castors or sliders as desired. Table top 80 x 60 cm made of E1 fine chipboard. Thickness 12 mm. Melamine-coated surface in various basic, decorative and bright colours. Table height 72 cm, up to 5 tables can be stacked together. Supplementary fittings: adapter for table lamps with 11 mm diameter.



Minimised square panel frame and circular steel tube legs (ø: 30 mm).

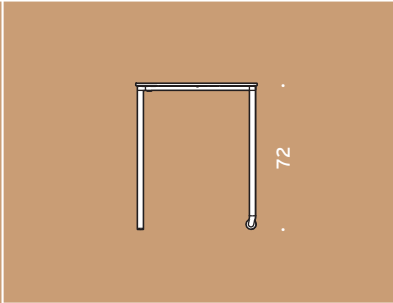
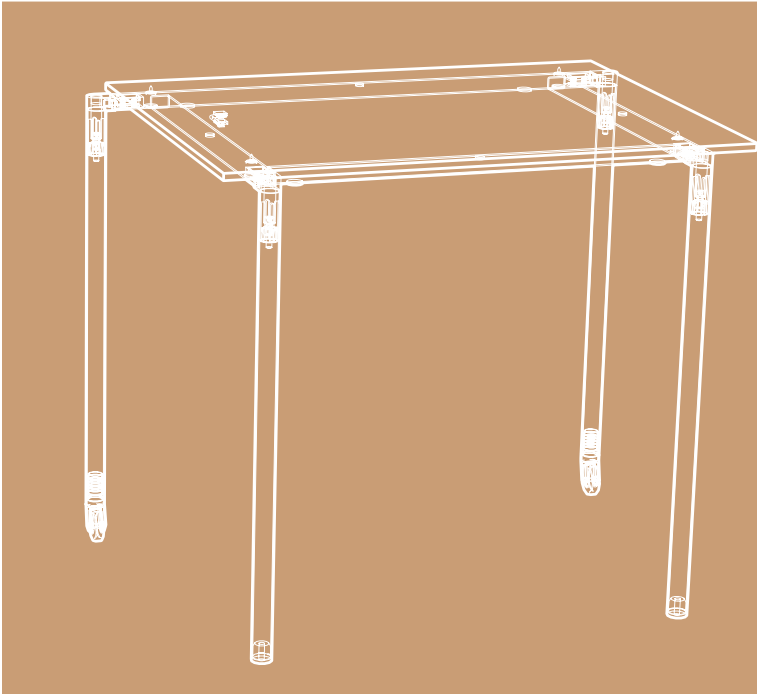


Table height 72 cm

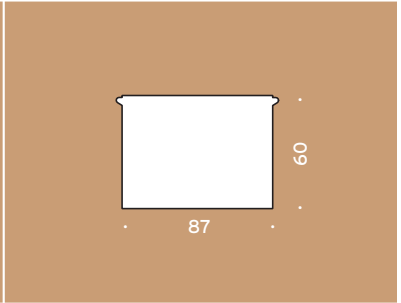
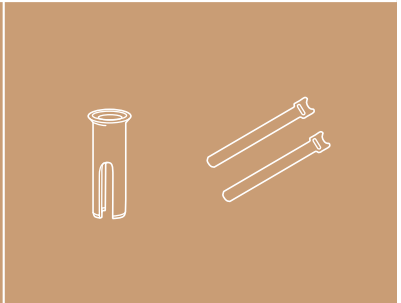
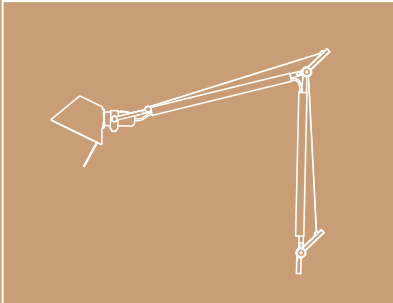
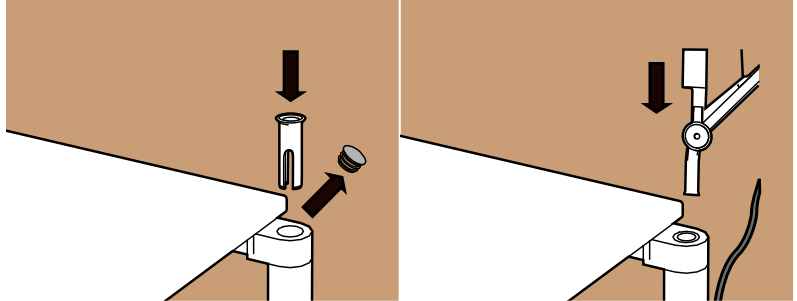
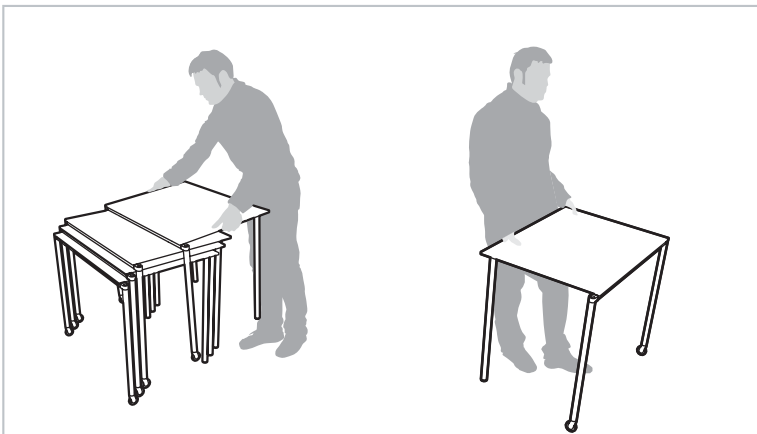


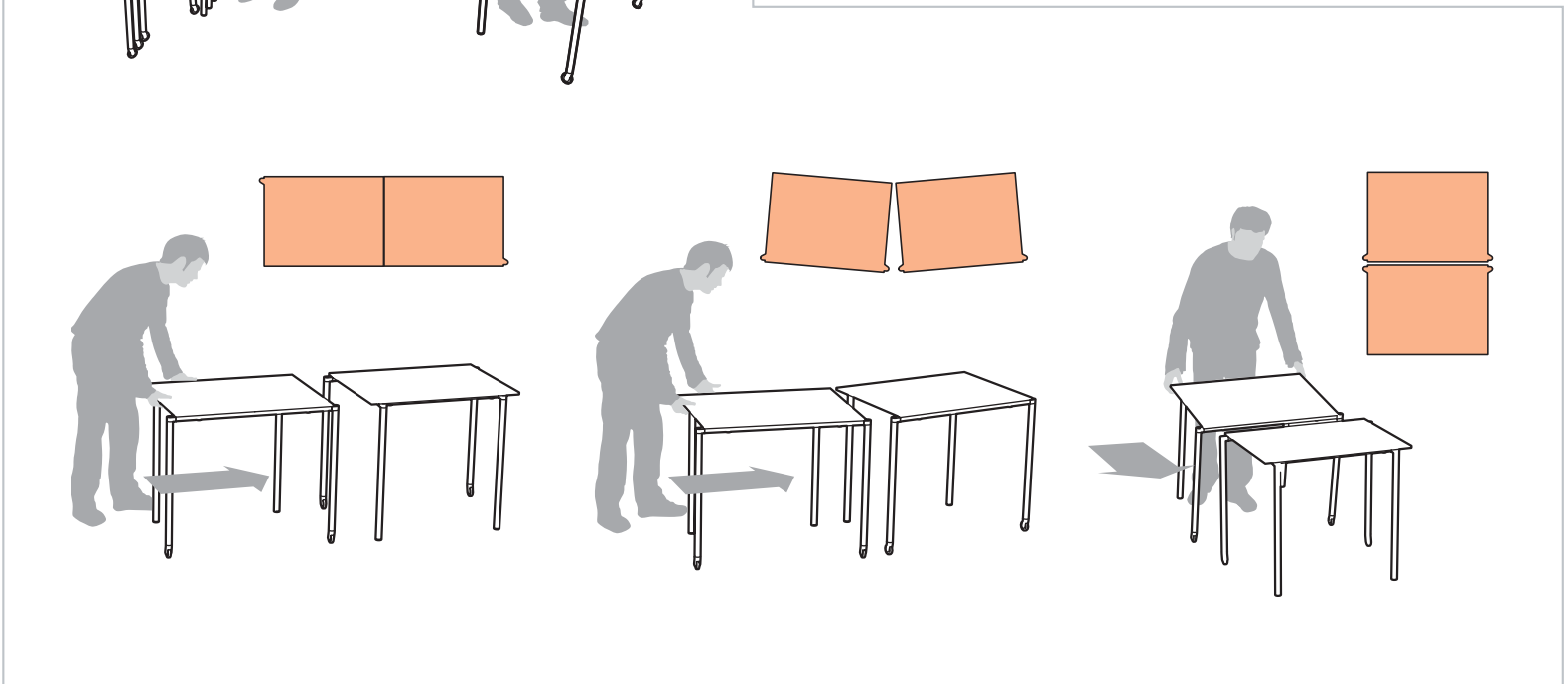
Table panel 80 x 60 cm, 12 mm thick

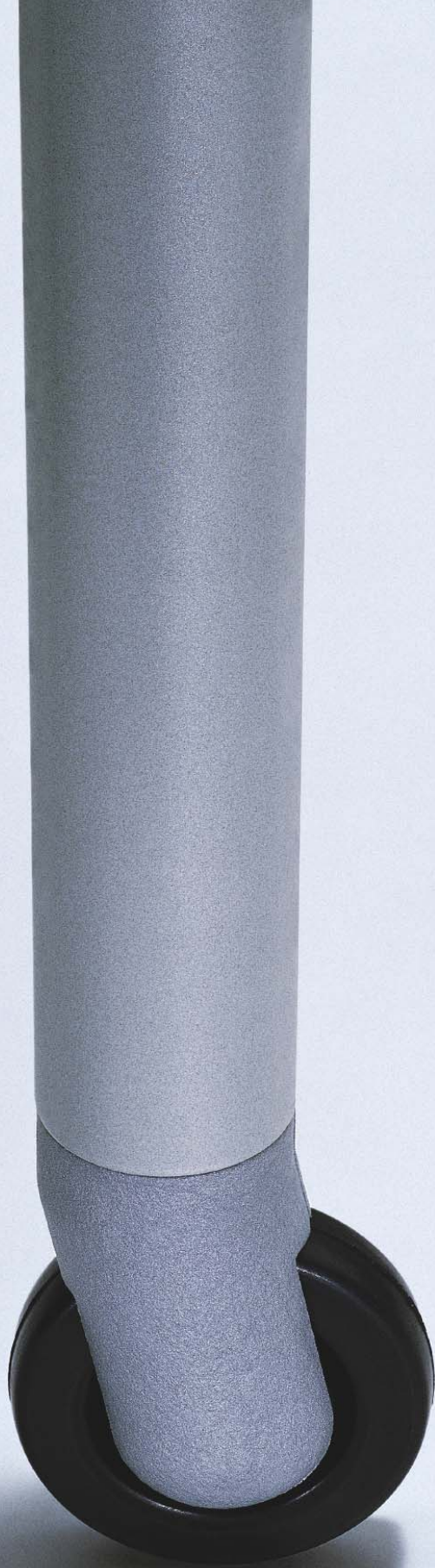


Supplementary fittings: adapter for table lamps with 11 mm diameter



Simple attachment of a table lamp







Packaging of the Mobile_Com Table: 82 x 63 x 8 cm



Easy to assemble for internet-customer



Row set-up: the tables are pushed together so that they overlap at the side



... and stabilised with flexible plastic corner elements ...



... with an optional Tolomeo table lamp



... all-purpose



... versatile



... up to 5 tables can be stacked together





HEADOFFICE: A-3340 Waidhofen/YBBS, Schwarzwiesenstraße 3, Tel. +43 (0) 7442 500-0, e-mail: office@bene.com, Internet: <http://bene.com>

AUSTRIA: 1010 WIEN, Renngasse 6, Tel. (01) 534 26-0. 3100 ST. PÖLTEN, Josefstraße 46a, Tel. (02742) 74 001. 4020 LINZ, Rainerstraße 14, Tel. (0732) 65 64 81. 5020 SALZBURG, Franz-Josef-Straße 35, Tel. (0662) 87 64 64. 6020 INNSBRUCK, Dr. Ferdinand-Kogler-Straße 30, Tel. (0512) 39 18 18. 6900 BREGENZ, Arlbergstraße 99-101, Tel. (05574) 753 20. 8010 GRAZ, Radetzkystraße 29, Tel. (0316) 82 12 71. 9020 KLAGENFURT, Villacher Ring 37, Tel. (0463) 541 45. **GERMANY:** 60311 FRANKFURT, Neue Mainzer Straße 31, Tel. (069) 26 95 96 0. **SWITZERLAND:** 8027 ZÜRICH, Dreikönigstraße 21, Tel. (01) 283 80 00. **GREAT BRITAIN:** LONDON, 47-53 St. John Street, EC1M 4AN, Tel. (0207) 689 12 34. **POLAND:** 00-609 WARSAW, Al. Armii Ludowej 26, Tel. (022) 579 34 80. **HUNGARY:** 1072 BUDAPEST, Rákóczi út 42., Tel. (01) 268 12 28. **CZECH REPUBLIC:** 12000 PRAGUE 2, Belgická 20, Tel. (02) 22 51 23 33. **SLOVAKIA:** 81103 BRATISLAVA, Zochova 5, Tel. (02) 5441 83 15. **SLOVENIA:** 1000 LJUBLJANA, BTC City, Smartinska 140, Tel. (01) 585 19 90. **ROMANIA:** 71289 BUCHAREST, Str. Pictor Ion Negulici nr. 13C, Etaj.2, sector 1, Tel. (01) 231 58 77. **RUSSIAN FEDERATION:** 103031 MOSCOW, Elite Business Systems, Strastnoy Blvd. 16, Tel. (095) 792 32 00.