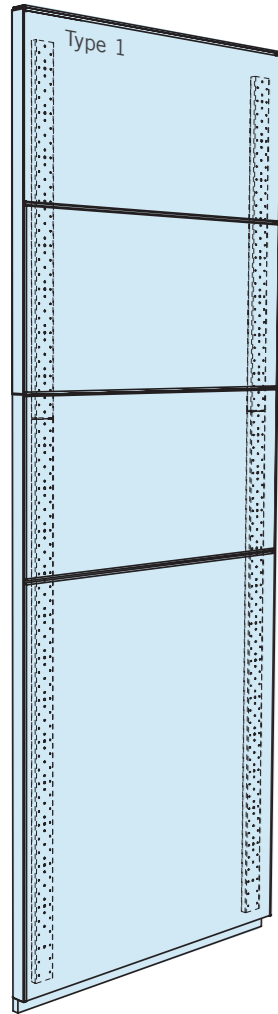
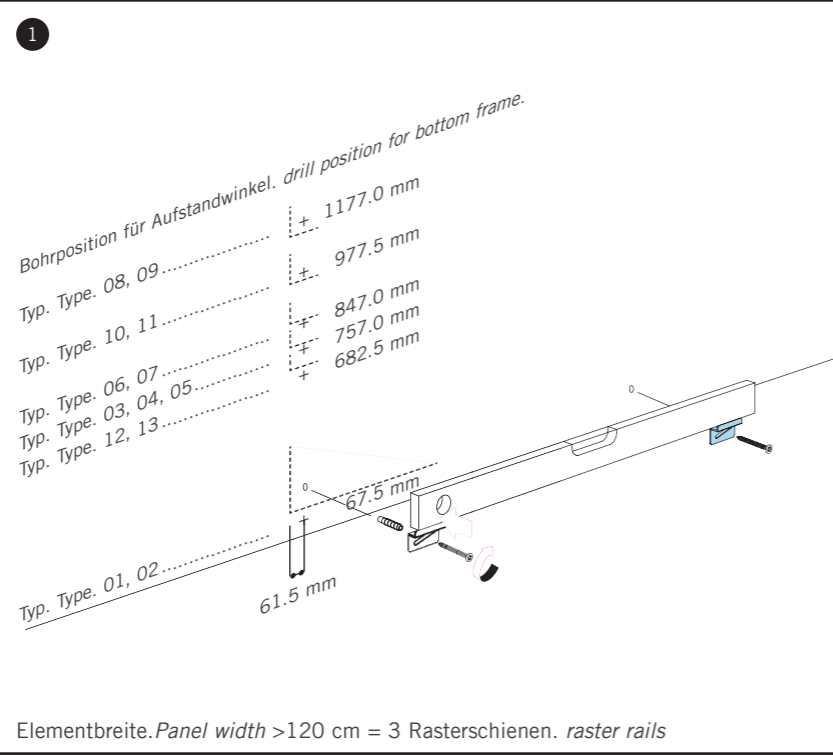


W3_WALL TO WALL.



Art.Nr.
W3EC 1 F 08 N E

E..... Einzelement (L/R = Linkes/Rechtes, M = Mittelelement)
N..... ohne Organisationschienen (P = mit Organisationschiene)
08..... Elementbreite (80 cm)
F..... Element mit Fugen (V = Vollschale, T = geteilt)
1..... Vorschlagtyp 1 (10=0, 11=A, 12=B, 13=C)
C..... Platzhalter, L=Lightschale (nicht organisierbar)
W3..... Wall to Wall



Art.No.
W3EC 1 F 08 N E

E..... single element (L/R = left/right, M = middle segment)
N..... without organising rail (P = with organising rail)
08..... panel width (80 cm)
F..... structured panel with joints (V = compact panel, T = structured into segments)
1..... Alternative 1 (10=0, 11=A, 12=B, 13=C)
C..... Placeholder, L=light element (without organizing)
W3..... Wall to Wall

