

FOLDING_COM





THE FASTEST TABLE IN THE WORLD.

With modern technologies and the networking of the virtual world the amount of data is ever increasing. This data has to be evaluated, condensed and interpreted. Only then does knowledge arise which is relevant to practice and important for employees in their decision-making processes.

Due to their complexity, these decision-making processes are more and more frequently taking place face-to-face in interdisciplinary teams and involve increasing numbers of people. Voting, discussing, defining aims, organising and implementing are essential components of everyday work tasks. These activities demand large areas and spaces, which in practice are not always available.

Space economy in the office is therefore the order of the day. Apart from special rooms for meetings, conferences, workshops and seminars, the free areas in the "back office" provide additional temporary communication zones. The requirement for this optimisation of space is highly mobile furniture, which is capable of adaptation.

Bene's Folding_Com Table is an all-rounder, acting as a classic conference table or as a piece of stand-by furniture in the back office, with utilisation possibilities that go far beyond the office.







FOLDING_COM

STAND BY ME.

Bene's Folding_Com Table is a perfect actor on the transformable stage of the office. As a conference table it provides space for 6 to 8 people - in its folded position it becomes narrow and is easy to roll about. It is the ideal piece of stand-by furniture for every situation in which a large table surface is spontaneously needed and is able to disappear again just as easily. Folded together it serves as a slim resting surface at standing height. Due to its intelligent scissor-type mechanism, the Folding_Com Table can easily be folded, making it possible to pass through any door.

In all the various places for which it is intended it repeatedly unfolds its true greatness - whether it is rectangular, boat-shaped or oval. Folding_Com Tables in rectangular form can be added together to make larger table configurations. Its mobility, as well as its ability to serve as conference table, stand-by furniture or as a resting surface at standing height, makes the Folding_Com Table a symbol of the transformation of the modern office.

Design: Christian Honer, Hannes Scherr, Kai Stania



THERE IN A FLASH, THEN GONE AGAIN.

Probably the most obliging table in the world. Whatever you're planning to use it for, it'll be there in next to no time.









TRANSFORMABLE STAGE.

These two examples show just how differently the stage can be set for communication rooms. Using furniture for the COMOFFICE, such as Folding_Com Tables, Mobile_Com Tables, the Sherpa Caddy, pin walls and stackable chairs, any situations that arise in relation to the various forms of communication can be adapted to spontaneously and without losing time. In next to no time, the furniture set-up for group work (using Folding_Com Tables) can be turned into a row-for-row arrangement for a lecture situation (using Mobile_Com Tables).



Even in larger communication zones or seminars, the all-inclusive and functionally self-supplementing product range can provide all the furniture variations that might be required, and implement them in a professional way, regardless of whether they are for seminars, workshops, meetings or conferences. Furthermore, the mobile furniture set - which can be folded, stacked, rolled and also compactly stored - enables additional areas to become free for other uses.





IN TEN SECONDS EVERY-
THING CAN CHANGE ...

... OUR CONFERENCE ROOM
CAN DO THE SAME.

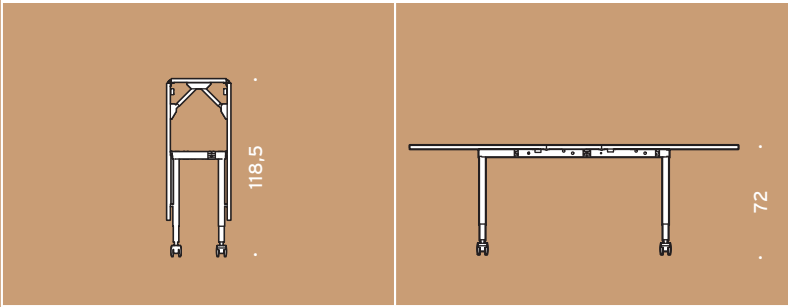




FOLDING_COM TABLE

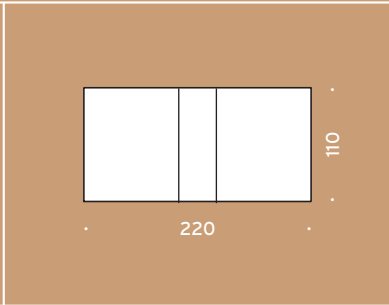
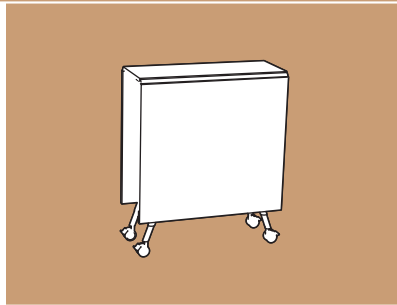
Optically light stand with slanting circular steel legs, powder-coated aluminium paint. Mobile, on double-casters with brake. Spring-supported scissor-type mechanism, made of rectangular steel tubes and cast-aluminium joints, powder-coated black.

Table-top 220 x 110 cm, rectangular, boat-shaped or oval made of E1 fine chipboard. Thickness 25 mm, melamine-coated surface in various basic, decorative and bright colours, or veneered. Table height 72 cm.



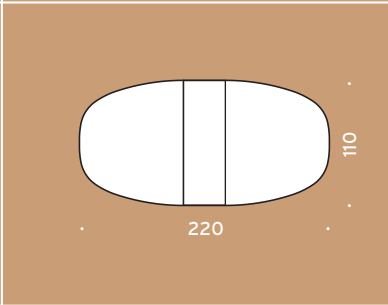
Height (closed) 118.5 cm

Height (open) 72 cm

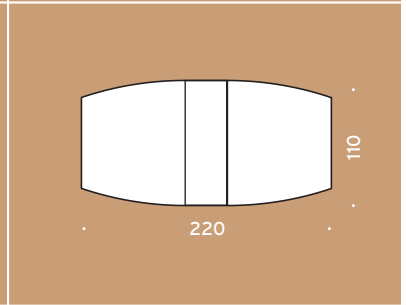


Panel shapes:

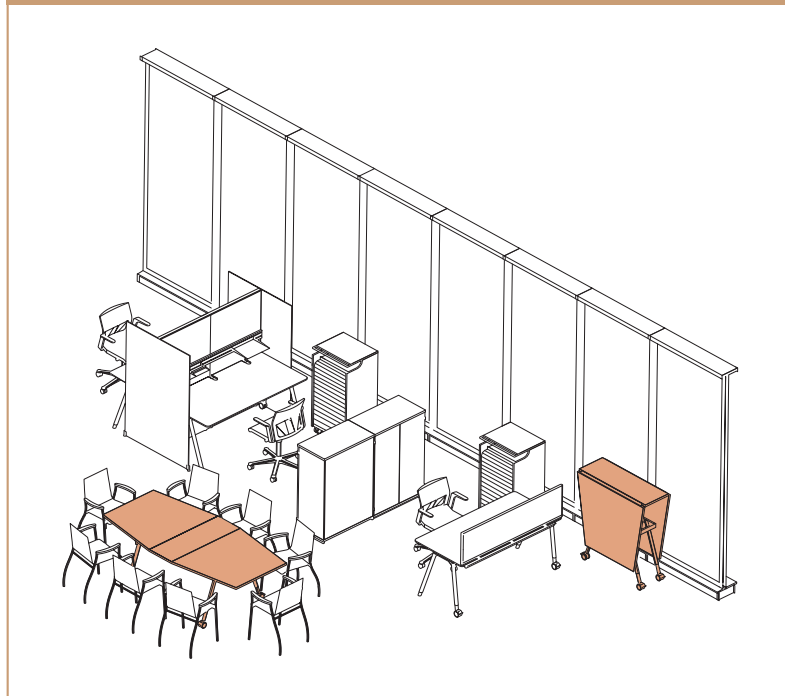
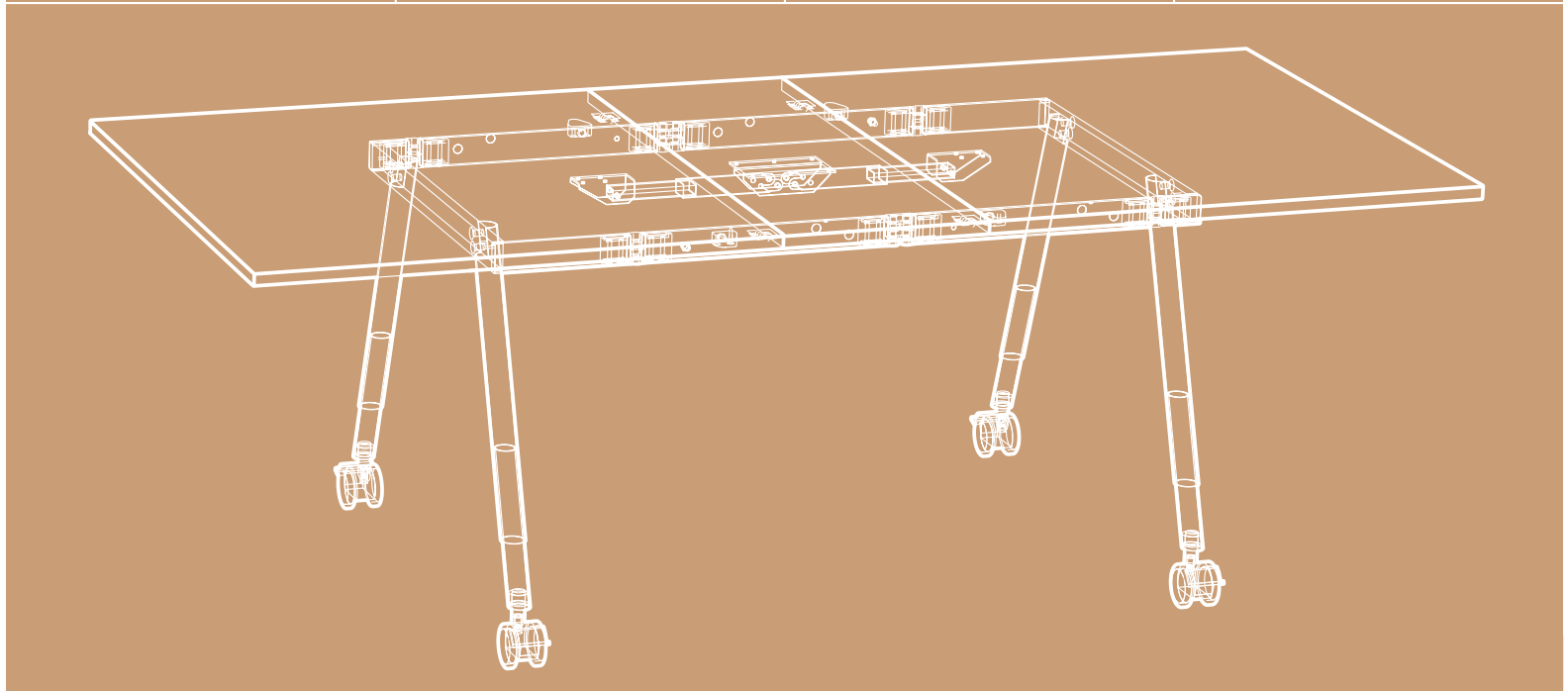
rectangular



oval



boat-shaped







HEADOFFICE: A-3340 Waidhofen/Ybbs, Schwarzwiesenstraße 3, Tel. +43 (0) 7442 500-0, e-mail: office@bene.com, Internet: <http://bene.com>

AUSTRIA: 1010 WIEN, Rengasse 6, Tel. (01) 534 26-0. 3100 ST. PÖLTEN, Josefstraße 46a, Tel. (02742) 74 001. 4020 LINZ, Rainerstraße 14, Tel. (0732) 65 64 81. 5020 SALZBURG, Franz-Josef-Straße 35, Tel. (0662) 87 64 64. 6020 INNSBRUCK, Dr. Ferdinand-Kogler-Straße 30, Tel. (0512) 39 18 18. 6900 BREGENZ, Arlbergstraße 99-101, Tel. (05574) 753 20. 8010 GRAZ, Radetzkystraße 29, Tel. (0316) 82 12 71. 9020 KLAGENFURT, Villacher Ring 37, Tel. (0463) 541 45. **GERMANY:** 60311 FRANKFURT, Neue Mainzer Straße 31, Tel. (069) 26 95 96 0. **SWITZERLAND:** 8027 ZÜRICH, Dreikönigstraße 21, Tel. (01) 283 80 00. **GREAT BRITAIN:** LONDON, 47-53 St. John Street, EC1M 4AN, Tel. (0207) 689 12 34. **POLAND:** 00-609 WARSAW, Al. Armii Ludowej 26, Tel. (022) 579 34 80. **HUNGARY:** 1072 BUDAPEST, Rákóczi út 42., Tel. (01) 268 12 28. **CZECH REPUBLIC:** 12000 PRAGUE 2, Belgická 20, Tel. (02) 22 51 23 33. **SLOVAKIA:** 81103 BRATISLAVA, Zochova 5, Tel. (02) 5441 83 15. **SLOVENIA:** 1000 LJUBLJANA, BTC City, Smartinska 140, Tel. (01) 585 19 90. **ROMANIA:** 71289 BUCHAREST, Str. Pictor Ion Negulici nr. 13C, Etaj.2, sector 1, Tel. (01) 231 58 77. **RUSSIAN FEDERATION:** 103031 MOSCOW, Elite Business Systems, Strastnoy Blvd. 16, Tel. (095) 792 32 00.