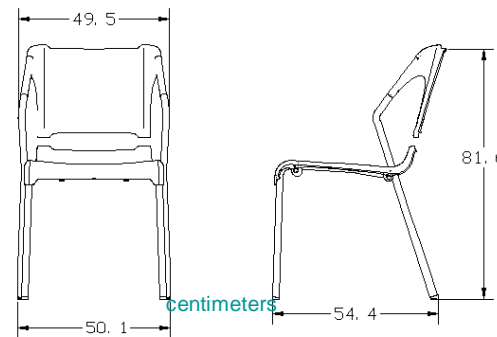


# Chill



## Technical Specifications:

Independent pieces, polypropylene injected. • Structure in steel tube 7/8" gauge 16 • Crossbars in steel tube 5/8" gauge 16 • Electrostatic epoxi-poliester painting • Polypropylene anti-scratch internal boots • Polypropylene anti-scratch spacers • Stackable to 6 units.



Office

Food Courts

# Chill



# Chill



- Frames:**
- Textured black
  - Aluminum painting
  - Chromed

