

LEUCOS®

INSTALLATION INSTRUCTIONS - LEUCOS USA

BRICK TR



A1 Enclosed



One installer



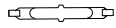
Save instructions

Revised
02 October 2006

**.DISCONNECT POWER BEFORE INSTALLATION.
.INSTALLER IN ACCORDANCE WITH THE NATIONAL AND LOCAL ELECTRICAL CODES.
.ATTENTION IN CASE OF DAMAGE OF THE FLEXIBLE SUPPLY CABLE, SUBSTITUTION SHOULD BE CARRIED OUT BY THE CONSTRUCTOR, CLIENT SERVICE OR QUALIFIED PERSONNEL, IN ORDER TO AVOID DANGER.**

Follow directions carefully to avoid scratching the glass diffuser.

1. Stand the lamp in an upright position.
2. Attach the decorative crystal glass "E" at the base of structure "B" with screw "F".**FIG. 1/5**
3. FOR THE VERSION WITH GLASS DIFFUSER: first remove the 2 posts "G" together with the springs "H".**FIG.2** Place the glass diffuser over the fixture head.**2/A**. Secure the glass diffuser first with the springs "H" and then with the post "G".**FIG.3**
4. Insert the halogen lamp. **FIG.4/5**
5. Position the Pyrex lamp guard "L" over posts "G" and secure with screw "F".**FIG.4/6**
6. Restore power

BRICK TR max 1x200 W 120V- T3 RSC type 

For additional information please contact your local dealer or **LEUCOS U.S.A.**
At: Tel. (732) 225-0010 Fax. (732) 225-0250 / www.leucos.com - info@leucosusa.com

FOR THE VERSION WITH GLASS DIFFUSER

FIG.1

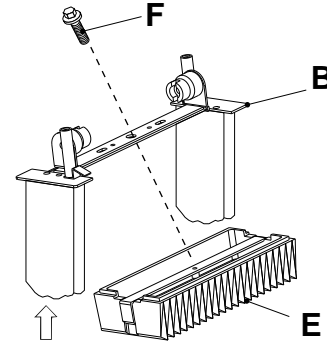


FIG.2

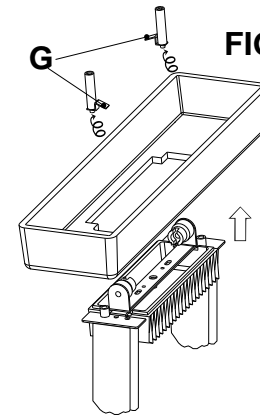


FIG.2/A

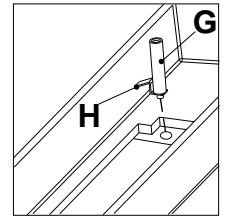


FIG.3

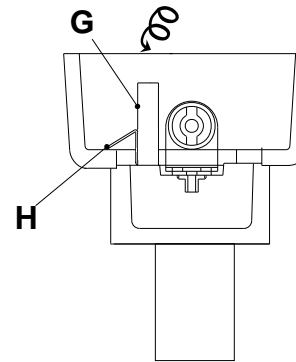
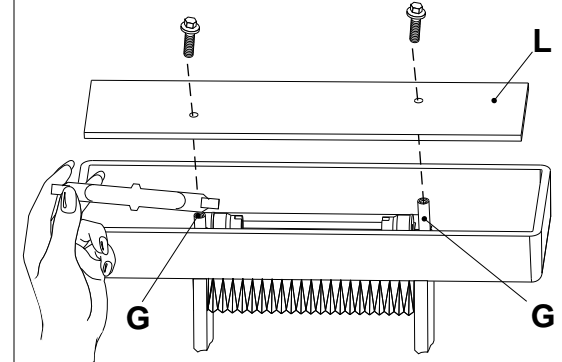


FIG.4



FOR THE VERSION WITH METAL DIFFUSER

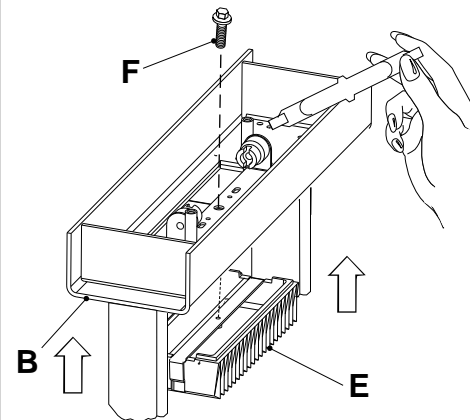


FIG.5

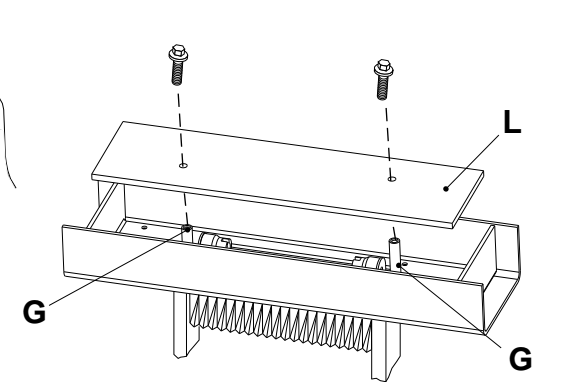


FIG.6