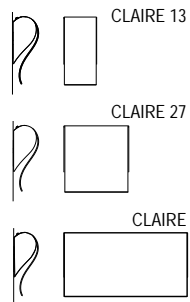


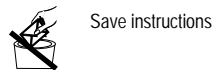
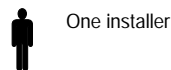
LEUCOS®

INSTALLATION INSTRUCTIONS - FOR U.S.A.

CLAIRE - CLAIRE 13 - CLAIRE 27 (G9)



A1 Enclosed



Revised
04 - MAR. - 2008

WARNING: DISCONNECT POWER BEFORE INSTALLATIONS.

- INSTALL IN ACCORDANCE WITH THE NATIONAL AND LOCAL ELECTRICAL CODES.
- FOLLOW DIRECTIONS CAREFULLY IN ORDER TO AVOID SCRATCHING OR DAMAGING THE GLASS DIFFUSER.

Fig. 1 - Install fixture "A" on the wall by using the four central slots "B": Make supply and ground wire connections and mount fixture "A" to 4" standard recessed wall mtd. octagonal junction box through slots "B", moving wire connections and excess wire into junction box. Level fixture and then additionally screw fixture to wall through the four white plastic bushing sleeved mounting holes. (see **fig.1**) (if mounting to plasterboard, the use of mollies or toggle bolts is recommended). Respect the correct polarity and grounding. Replace cover reflector "C" by screwing the corresponding nuts on pins "D", through holes "E" as shown.

Fig.2 - Insert bulbs into lamp holders. Make a switch-on testing prior to place glasses.

Fig.2 - Place the first protection glass "G" as shown also in **Fig. 4**, and lock it on seat by the bottom hole and the thumb screw "L" provided. Pay attention to tighten carefully screw "L" by fingers. Do not use tools.

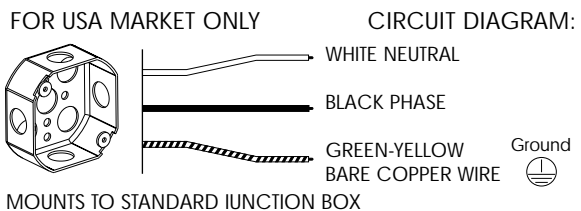
Fig.3 - Place the final diffuser "M" over the first one "G", as shown also in **Fig.4**, and take care to check that the two sides top holes are protected by the two plastic bushing "O" and corresponding with the below holes of glass "G" and the two threaded holes of the fixture. Finally lock it on seat by the two thumb screws "N" provided. **PAY ATTENTION TO TIGHTEN MODERATELY BY FINGERS. DO NOT USE TOOLS.**

Restore power.

CLAIRE 13 - AL max 1x60W - **G9**

CLAIRE 27 - AL max 2x60W - **G9**

CLAIRE - AL max 4x60W - **G9**



For additional information please contact your local dealer or LEUCOS USA at: tel. (732) 225-0010 fax (732) 225-0250

Fig.1

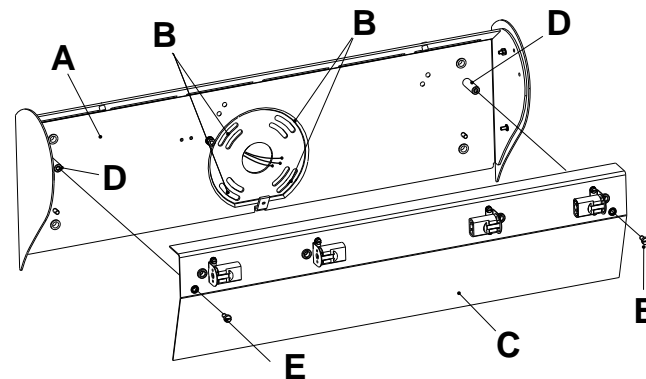
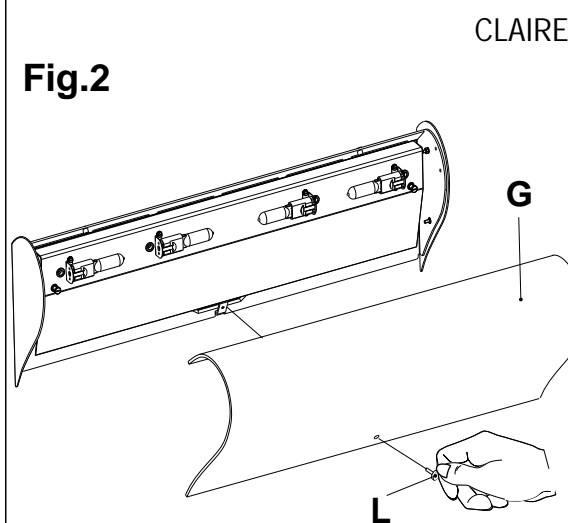
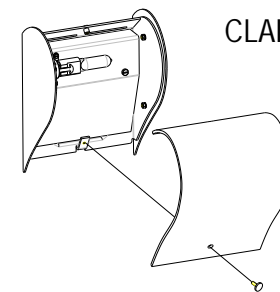


Fig.2



CLAIRE

CLAIRE 13



CLAIRE 27

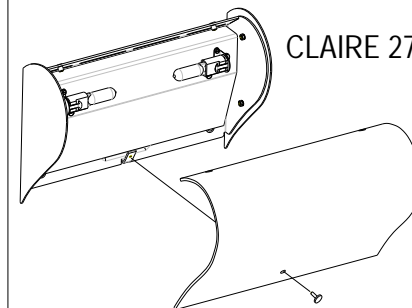


Fig.3

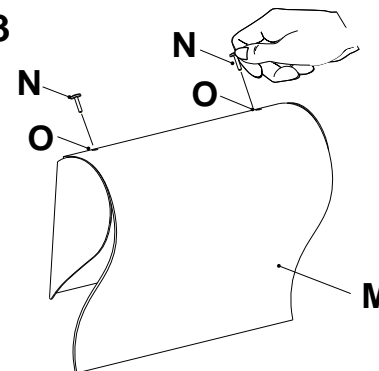
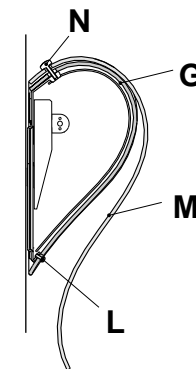


Fig.4



LEUCOS®

INSTALLATION INSTRUCTIONS for LEUCOS USA

CLAIRE

A1

Enclosed



One installer



Save instructions

Revised
05 - SEP - 2003

WARNING: - DISCONNECT POWER BEFORE INSTALLATIONS.

- FIXTURE TO BE INSTALLED BY A CERTIFIED ELECTRICIAN.
- INSTALL IN ACCORDANCE WITH THE NATIONAL AND LOCAL ELECTRICAL CODES.
- FOLLOW DIRECTIONS CAREFULLY IN ORDER TO AVOID SCRATCHING OR DAMAGING THE GLASS DIFFUSER.

1. With clean hands/gloves, remove glass "G" from fixture "A" by removing the short lower thumb screw "L" and the two long upper thumb screws "N" (see Figs. 2 & 4) (be careful not to loose the three plastic bushings "O" that are in the holes of glass "G")
2. Remove reflector "C" by unscrewing the two thumb nuts and removing the two star washers off of studs "D". (see Fig.1)
3. Make supply and ground wire connections and mount fixture "A" to 4" standard recessed wall mtd. octagonal junction box through slots "B", moving wire connections and excess wire into junction box. Level fixture and then additionally screw fixture to wall through the four white plastic bushing sleeved mounting holes. (see fig.1) (if mounting to plasterboard, the use of mollys or toggle bolts is recommended).

NOTE: .Ensure supply voltage matches ballast voltage.

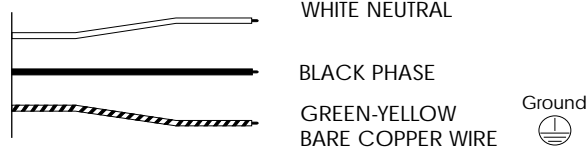
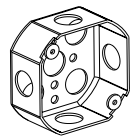
4. Replace rlector "C", two star washers and thumb nuts. (see Fig.1).
5. Install lamps; (two 36W. compact florescent , 2G11-base),(see Fig.2), and seat in lamp support clips "P". (see fig.1) (restore power to fixture(s) to ensure functionality prior to installing glass).
6. With clean hands/gloves, mount inner glass "G" over fixture "A" and secure with thumb screw "L" only.(Moderately finger tighten only). (Be sure the three plastic bushings "O" are in the holes in glass "G").(see Figs. 2 & 3).

NOTE: be sure plastic bushings "O" are in glass "G" before mounting glass "M". (see Fig.3).

7. Place outer diffuser glass "M" over Glass "G" and secure with two thumb screws "N" (passing through the bushinged holes of glass "G" into threaded holes in fixture "A"). (Moderately finger tighten only). (see Fig.4).

max 2x36W 2G 11 TYPE LONG TWIN TUBE 

CIRCUIT DIAGRAM:



MOUNTS TO STANDARD IUNCTION BOX

For additional information please contact your local dealer or
LEUCOS USA at: tel. (732) 225-0010 fax (732) 225-0250

Fig.1

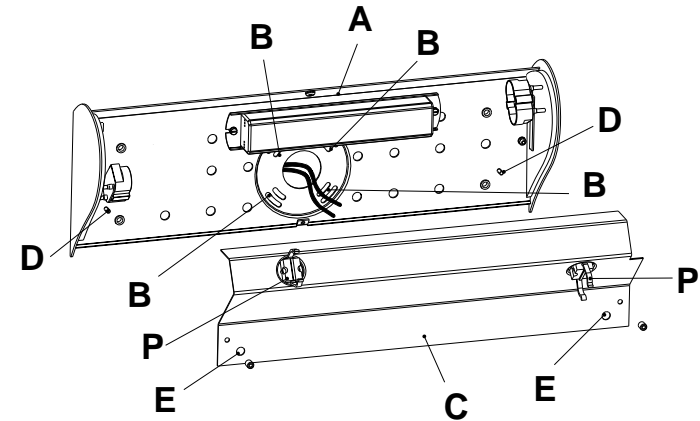


Fig.2

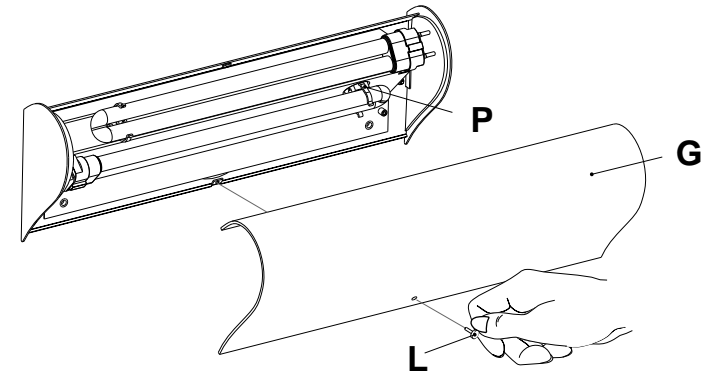


Fig.3

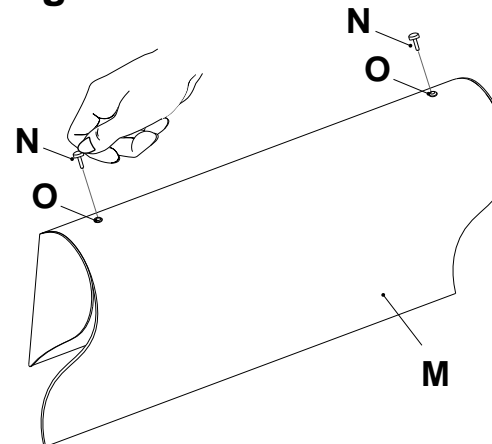


Fig.4

