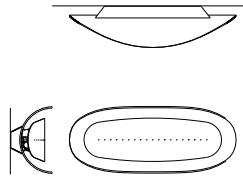


# LEUCOS®

INSTALLATION INSTRUCTIONS - LEUCOS USA

## FOLD PP



A1 Enclosed



One installer



Save instructions

Revised  
16- JULY - 2008

**WARNING: - DISCONNECT POWER BEFORE INSTALLATIONS.**  
**- INSTALL IN ACCORDANCE WITH THE NATIONAL AND LOCAL ELECTRICAL CODES.**  
**- FOLLOW DIRECTIONS CAREFULLY IN ORDER TO AVOID SCRATCHING OR DAMAGING THE GLASS DIFFUSER**

1. Fig.2 Remove cover "C".
2. Fig.1-2 Slip the small bolt "L" on the wire and run the electric wires through the fixture "A" and the plates "U", "T" and "S". Cover the wires with the protection fiber glass tubes provided.
3. Fig.1 Attach the plate "S" to the box "J".
4. Make the wire connections. Take care to respect the correct polarity and grounding.
5. Fix the plate "T" and "S".
6. Attach the fixture "A" on the plate "U" and "T" and tightly screw the bolt "L".
7. Fig.2 Replace cover "C" by the two side holes then lock it on seat by the two thumb screws "D".
8. Insert bulb inside double ended socket, then place the two half safety glass pyrex tubes "Y" in order to be coupled inside the opposite collars of rings "X" as shown. Clamp the two parts by pushing the two release springs "Z" as shown in Fig.7.

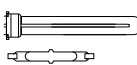
**NOTE: IF THE LAMP CONTAINMENT BARRIER "Y" BREAKS, IT MUST BE REPLACED BEFORE USING THE LAMP AGAIN**

9. Place the diffuser "F" on structure "A" and take care to match the two side mounting holes with the corresponding holes "G" on structure, then lock it by the thumb screws "H". (Tight only by fingers, do not use tools).
10. Fig.4. Place the front screen/diffuser "M" by guiding the two side pivots "N" prior through the two bracket holes "P" then inside the two corresponding openings below.

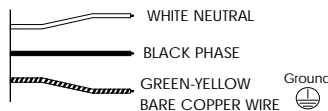
**NOTE : PUSH MODERATELY ON CHROME DETAILS ONLY UNTIL TO PERCEIVE THE SNAP OF THE LOCKINGS SPRINGS "O". DO NOT PUSH IN TOO DEEP IN ORDER TO AVOID THAT THE GLASS DIFFUSER BREAKS.**

11. Restore power

**FOLD PP- Fluor. 2x18W 2G11 Type Long Twin Tube**  
**FOLD PP- Hal. Max 1x200W RSC Type T3**



CIRCUIT DIAGRAM:



MOUNTS TO STANDARD JUNCTION BOX

For additional information please contact your local dealer or **LEUCOS USA** at: tel. (732) 225-0010 fax (732) 225-0250

Fig.1

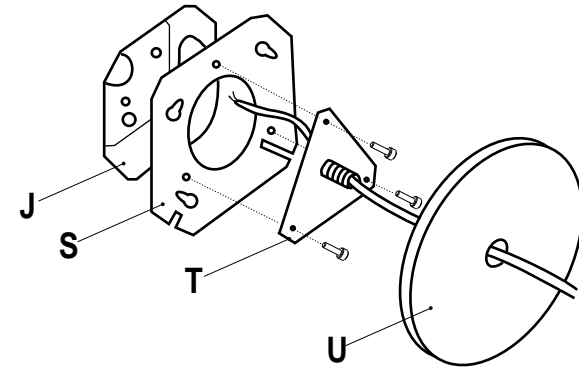
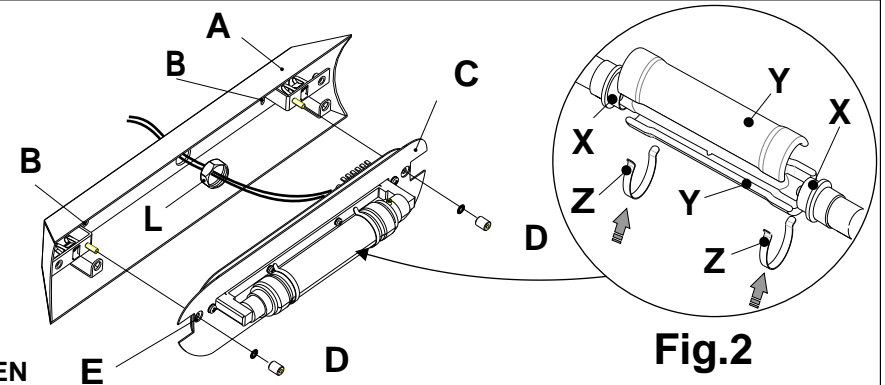


Fig.2



HALOGEN

Fig.2

Fig.3

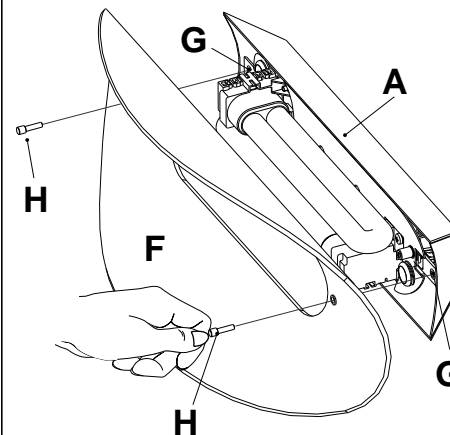


Fig.4

