

# FOLD pendant

Design R.Toso - N.Massari & Associates



Satin White glass front screen



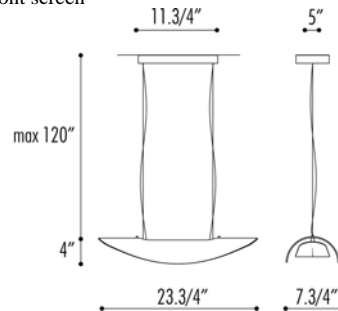
Satin Red glass



Satin Blue glass



Satin Yellow glass



**DESCRIPTION:** Suspension lamp which provides diffused illumination from its halogen lamp source. An outer 'fold' of white glass is accented with an inner curved glass screen available in 5 finishes. Companion wall and ceiling designs are available.

**CONSTRUCTION:** Suspended on cable and cord, the Fold suspension has a rectangular backplate that attaches to a standard 4" junction box. The linear halogen lamp is shielded from view with the two glass elements that surround it.

**LIGHT SOURCE:** 1 x 200 watt, T3 / RSC Halogen (Provided)

**FINISHES:** Polished Chrome

**GLASS COLOR:** Satin White outer glass with the following options for the center:  
Satin White  
Satin Red  
Satin Yellow  
Satin Blue  
Polished Chrome Perforated Metal

**NET WEIGHT:** 12 lbs.

**Leucos USA, Inc.**  
11 Mayfield Avenue  
Edison, NJ 08837  
Tel: 732-225-0010  
Fax: 732-225-0250  
www.leucos.com