

# LEUCOS®

## INSTALLATION INSTRUCTIONS

### GIÓ new



A1 Enclosed



Two installers



Save instructions

Revised  
05 - May - 2009

#### WARNING:

- DISCONNECT POWER BEFORE INSTALLATION.
- FIXTURE TO BE INSTALLED BY A CERTIFIED ELECTRICIAN.
- INSTALL IN ACCORDANCE WITH THE NATIONAL AND LOCAL ELECTRICAL CODES.
- TAKE GREAT CARE TO AVOID SCRATCHING OR CHIPPING THE GLASS WHEN CARRYING OUT THE OPERATIONS BELOW

1. **ILL. 1** Install the structure "B" on the J-box for U.S.A. market only by the slots "G" provided as shown
2. **ILL. 1** Install the bulbs into the respective sockets and make a working test (except bulb "L").  
For Fluorescent: be careful to snap the tube inside the plastic lamp holder clips "Z".
3. **ILL. 1** Guide the diffuser "D" in touch with the ceiling and also guide the can "Y" from the below and inside the glass opening.
4. **ILL. 2 and 3.** Take care to match the three pins "P" into the corresponding holes "Q". Guide pins "P" inside the holes "Q" and rotate clockwise till touch the end, then pull down the can in order to lock it in site (**ILL.2**).  
Make sure the can locking by screwing the threaded pin "R" placed inside the can then leave the glass leaning on the can border (**ILL.3**).
5. Place the bulb "L" in the middle lampholder.
6. Restore power.

#### FOR U.S.A. MARKET ONLY:

max 3x60W - E26 TYPE A



max 1x75W - E26 TYPE PAR 30S



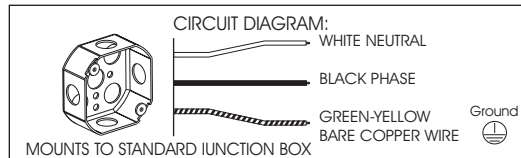
1x55W 120V or 277 2GX13 FC12T5



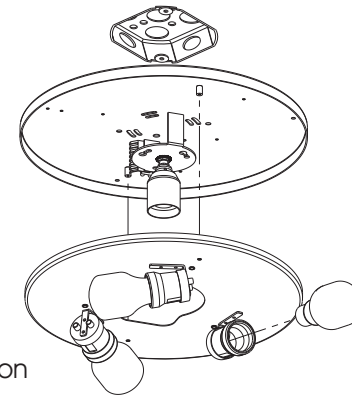
max 1x75W - E26 TYPE PAR 30S



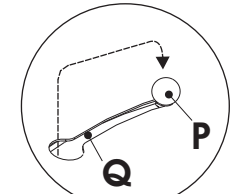
For additional information please contact your local dealer or **LEUCOS U.S.A.** at: tel. (732) 225-0010 fax (732) 225-0250



ILL.1

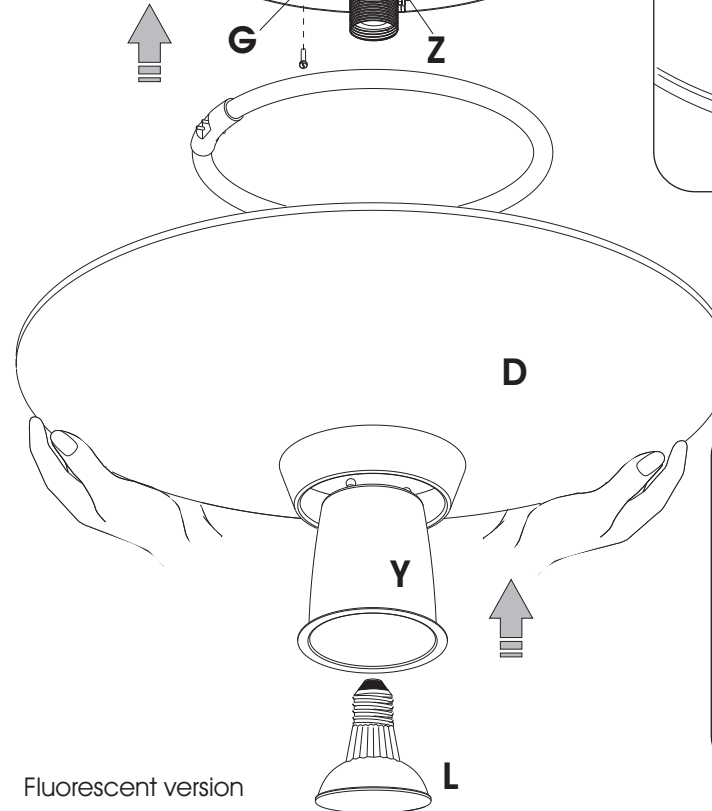
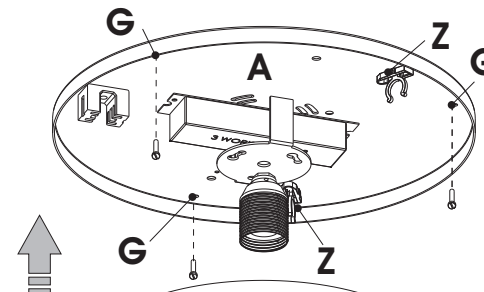


Incandescent version

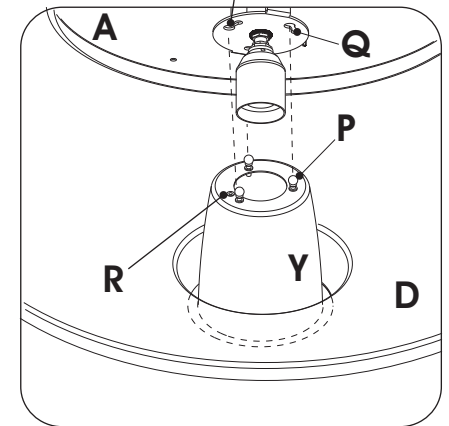


ILL.2

ILL.1



Fluorescent version



ILL.3

