

L E U C O S[®] USA

INSTALLATION INSTRUCTIONS NUBIA P O 38 - NUBIA P O 63

NUBIA PO 38



NUBIA PO 63



Revised
31- OCT. 2007

A1 Enclosed



One installer



Save instructions

NOTE:

- Always make sure the mains power has been switched off before carrying out any operations.
- Take great care to avoid scratching or chipping the glass when carrying out the operations below.


1. Slip the small bolt on the wire and run the electric wires through the plates "D" and "C".
2. Attach the plate "C" to the box "B".
3. Join the electric wires.
4. Fix the plate "D" and "C".
5. Attach plate "A" to plate "D" and tightly screw the bolt "G".
6. Place the glass shade and fix it with the two brackets "J".
7. Fit the bubs and switch the main power back on.

NUBIA PO38 Halogen : Insert bulb inside double ended socket, then place the two half safety glass pyrex tubes "Y" in order to be coupled inside the opposite collars of rings "X" as shown. Clamp the two parts by pushing the two release springs "Z" as shown in **Fig.2**.

NOTE: IF THE LAMP CONTAINMENT BARRIER "Y" BREAKS, IT MUST BE REPLACED BEFORE USING THE LAMP AGAIN


NUBIA P O 38


max 2x60W - E26 Type A-19 MEDIUM BASE 

max 2x13W - Gx23 Type QUAD TUBE 

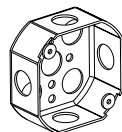
max 1x150W - Type T3 RSC (SHORT). 

NUBIA P O 63

max 2x100W - E26 Type A-19 

max 2x13W - Gx23 Type QUAD TUBE 

CIRCUIT DIAGRAM:



WHITE NEUTRAL

BLACK PHASE

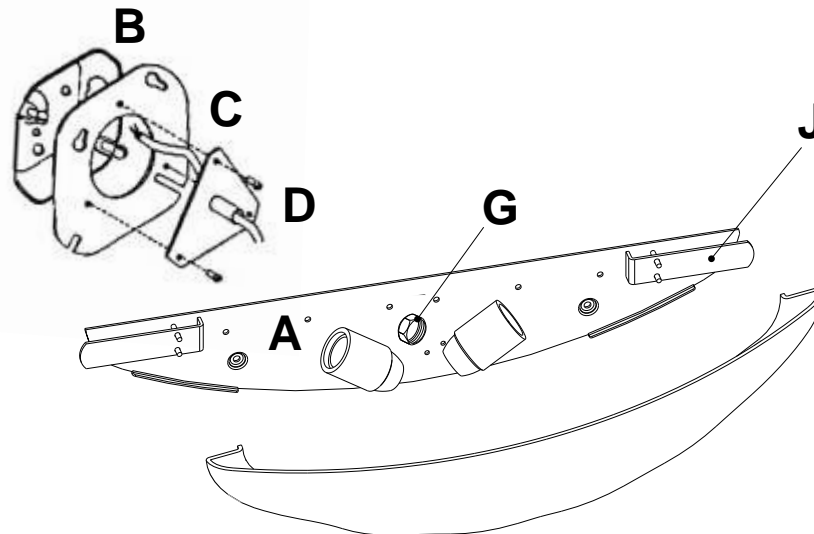
GREEN-YELLOW
BARE COPPER WIRE

Ground

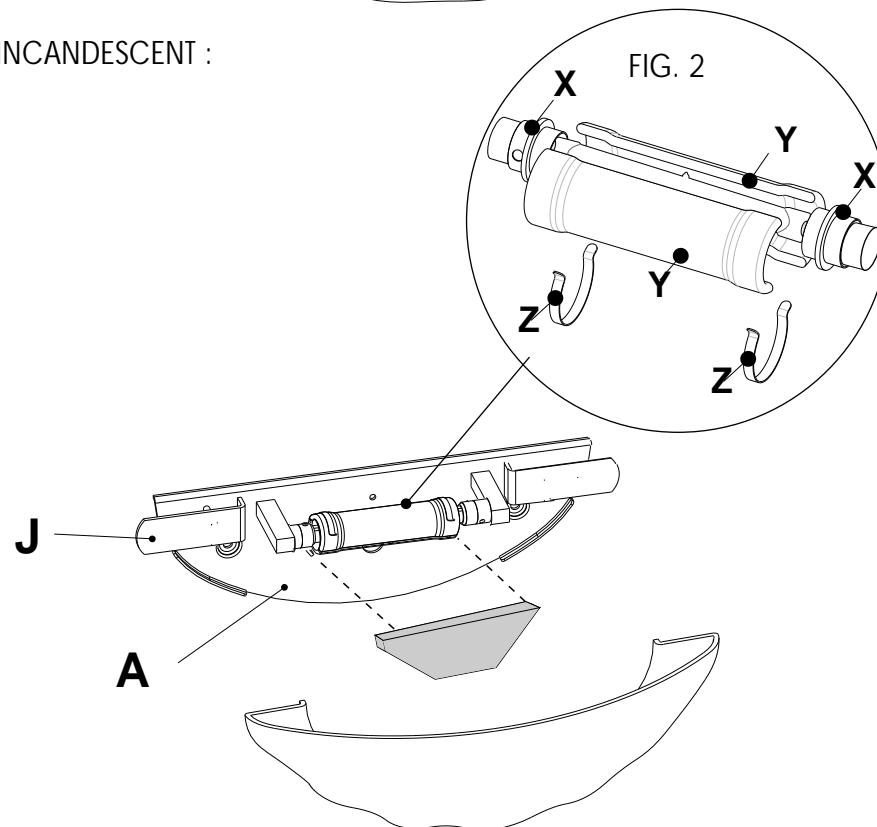


MOUNTS TO STANDARD IUNCTION BOX

For additional information please contact your local dealer or **LEUCOS USA** at: tel. (732) 225-0010 fax (732) 225-0250



INCANDESCENT :



HALOGEN :