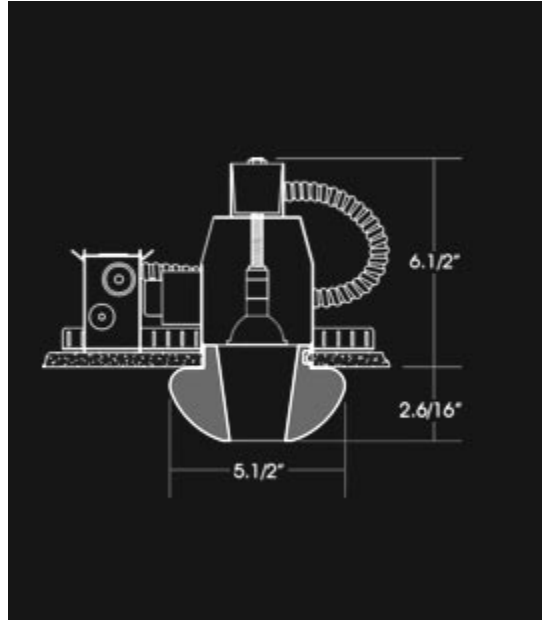


ONLY RECESSED

R.Toso, N.Massari & Associates



DIMENSIONS SHOWN FOR NEW CONSTRUCTION

DESCRIPTION

A semi-recessed, low-voltage fixture providing downward light through a poured glass diffuser available in clear or satin glass trim. Provides diffused illumination as well as a soft pleasant ceiling glow.

HOUSING & LAMP OPTIONS

Remodel & New Construction:

1x50 watt, low-voltage halogen, MR-16

Insulated Ceiling:

1x35 watt, low-voltage halogen, MR-16

Provided with 120/12V or 277/12V with magnetic transformer.

Housing options:

Remodel Housing, New Construction, Insulated Ceiling, Chicago Plenum, Air Tight, Vapor Tight.

Other lamp options:

Remodel Housing : 13W CFL.

New Construction and Insulated Ceiling: 13W & 18W CFL.

Compatible with quad lamp, 4 Pin, electronic ballast 120/277 Volt only.

Further options:

1x50 watt, halogen PAR 20 or 1x35 watt, PAR 20 metal halide

Also available with LED, consult factory.

GLASS COLOR

Crystal with Satin White Center, Satin White.

