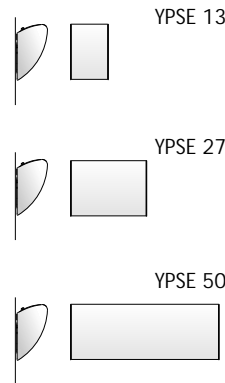


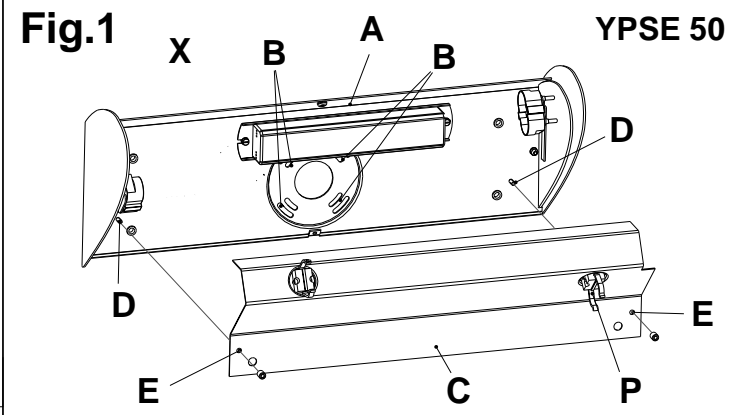
# LEUCOS®

INSTALLATION INSTRUCTIONS - FOR U.S.A.

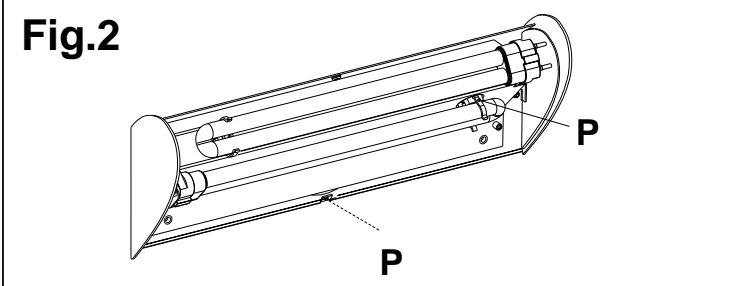
## YPSE - 13 - 27 - 50



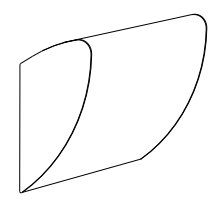
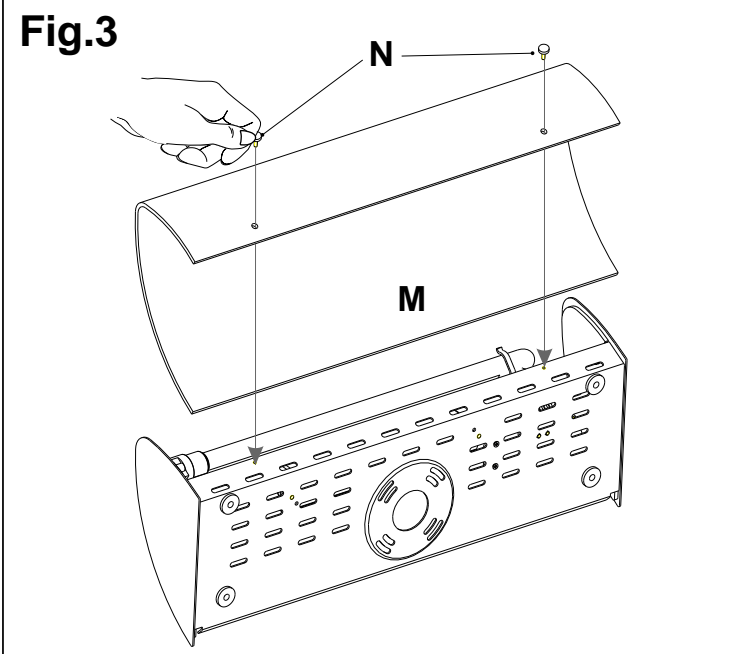
**A1** Enclosed One installer Save instructions Revised 14 September 06



YPSE 13



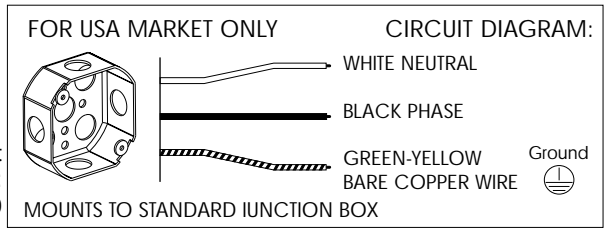
YPSE 27



**WARNING:**  
 - DISCONNECT POWER BEFORE INSTALLATIONS.  
 - INSTALL IN ACCORDANCE WITH THE NATIONAL AND LOCAL ELECTRICAL CODES.  
 - FOLLOW DIRECTIONS CAREFULLY IN ORDER TO AVOID SCRATCHING OR DAMAGING THE GLASS DIFFUSER.

- FIG. 1** - Install fixture "A" on to the Junction Box by using the four central slots "B":
- FIG. 1** - Respect the correct polarity and grounding. Replace cover reflector "C" by screwing the corresponding nuts on pins "D", through holes "E" as shown.
- Fig.2** - Insert bulbs into lampholders. (For the **YPSE 50** fluorescent model and take care to place the lamp tubes inside the two sides plastic holder clips "P"). Make a switch-on testing prior to place glasses.
- Fig.3** - Place the diffuser "M", as shown in **Fig.3**, and take care to check that the two sides top holes are protected by the two silicon "O" rings and corresponding with the below threaded holes of structure "A", then lock it on seat by the two thumb screws "N" provided. **PAY ATTENTION TO TIGHTEN MODERATELY BY FINGERS. DO NOT USE TOOLS.**
- Restore power.

<b>YPSE 13 - HAL</b>	max 1x60W - G9	
<b>YPSE 27 - HAL</b>	max 2x60W - G9	
<b>YPSE 27 - FL</b>	max 1x24W - G9 Type T4	
<b>YPSE 50 - HAL</b>	max 4x60W - G9	
<b>YPSE 50 - FL</b>	max 2x36W - 2G11 Type Twin tube	



For additional information please contact your local dealer or LEUCOS USA at: tel. (732) 225-0010 fax (732) 225-0250