



FULL MOON
design: Hangar Design Group

FULL MOON

design: Hangar Design Group

pendant ceiling

Diffuser: sculptural polycarbonate
luminaires
Diffuser color: white, apple green or yellow
Structure: polished chrome

suspension plafonnier

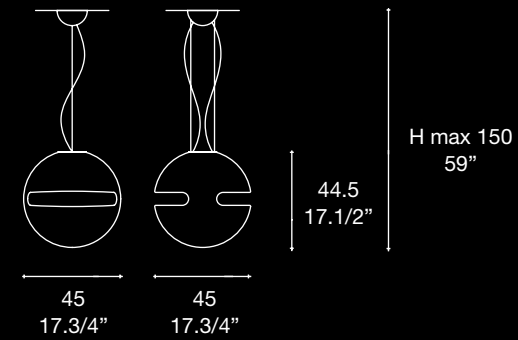
Diffuseur: plastique
Couleur diffuseur: blanc, vert ou jaune
Armature: métal chromé

lámpara de suspensión lámpara de techo

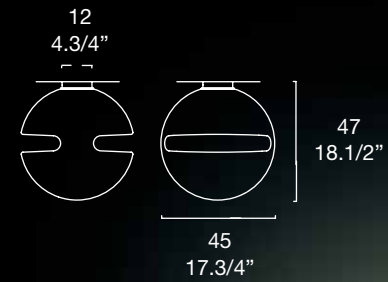
Difusor: material plástico
Color difusor: blanco, verde o amarillo
Soporte: metal cromado

Dimensions

FULL MOON S



FULL MOON PL



Lamp type

- FULL MOON S**
2 x 100W E26
2 x 20W E26 CFL
2 X 26W GU24 TWIST AND LOCK
- FULL MOON PL**
2 x 60W E26
2 x 20W E26 CFL
2 X 26W GU24 TWIST AND LOCK

FULL MOON S



FULL MOON PL

