



LILITH
design: Studio Alteam

LILITH

design: **Studio Alteam**

pendant

Diffuser: cotton threaded hand made lamp shade

Diffuser color: white, black, red, silver or mocha, with satin white glass cover

Structure: brushed nickel

suspension

Diffuseur: fil de coton, verre satiné (part inférieure)

Couleur diffuseur: blanc, noir, rouge, argent, moka

Armature: nickel brossé

lámpara de suspensión

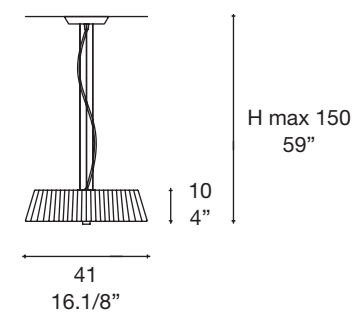
Difusor: hilo de algodón, vidrio satinado (parte inferior)

Color difusor: blanco, negro, rojo, plata, moka

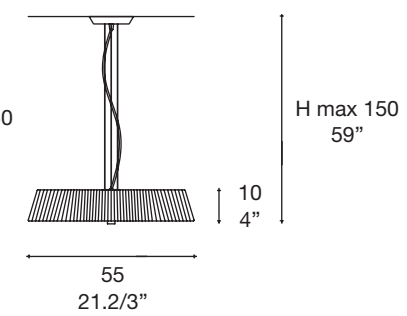
Soporte: níquel cepillado

Dimensions

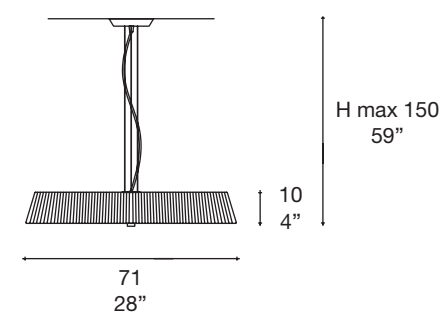
LILITH S 40






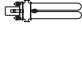



LILITH S 55



LILITH S 70



Lamp type

-  **LILITH S 40**
3 x 60W E12
-  **LILITH S 55**
4 x 75W E26
or
4 x 20W E26 CFL
-  4 X 26W GU24 TWIST AND LOCK
-  4 X 18W G24q-2
-  **LILITH S 70**
6 x 75W E26
or
6 x 23W E26 CFL
-  6 X 26W GU24 TWIST AND LOCK
-  6 X 26W G24q-3

LILITH S 40



LILITH S 55/70

