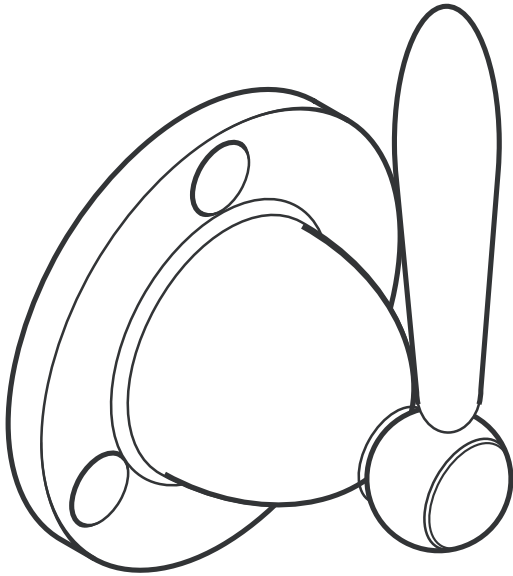


Axor Carlton Trim, Quattro Diverter

17933XX1



Product Features

- Lever handle
- Controls three outlets

Code Compliance

This unit meets or exceeds the following:

- ASME A112.18.1
- CSA B125.1
- ADA compliant
- Listed by IAPMO
- Approved for use in Massachusetts

Available Finishes

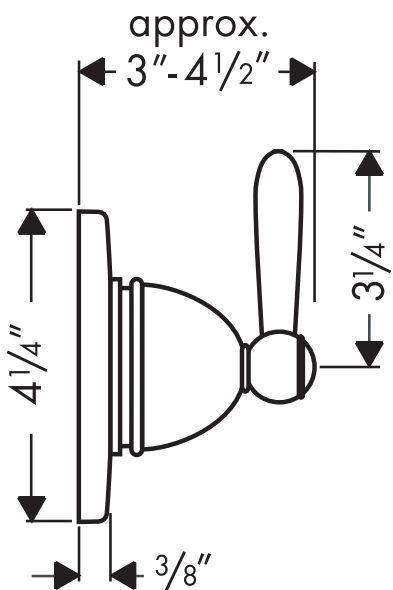
Chrome	17933001
Oil Rubbed Bronze	17933621
Brushed Nickel	17933821
Polished Nickel	17933831

Required Accessories

Rough	13932181
-------	----------

Optional Accessories

Extension kit	92630000
---------------	----------



The measurements shown are for reference only.

Products and specifications shown are subject to change without notice.

Specification sheet revised 4/2008