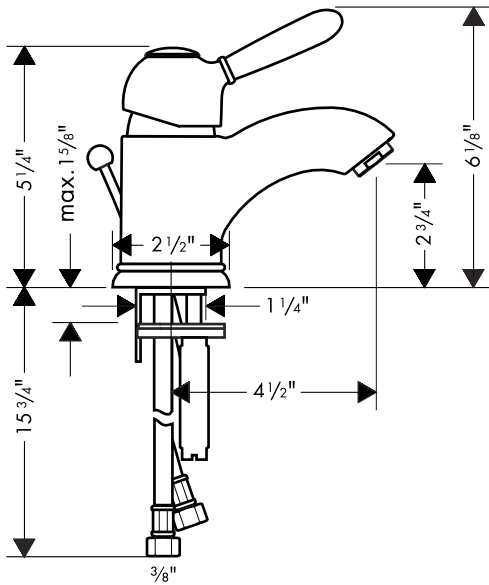
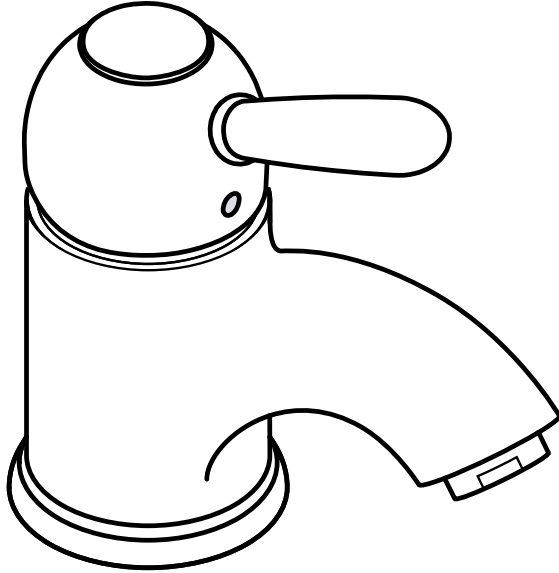


**ECO
RIGHT**



Product Features

- Lever handle
- Single hole installation
- Ceramic cartridge
- Includes pop-up drain
- 1.5 gpm

Code Compliance

This unit meets or exceeds the following:

- ASME A112.18.1
- CSA B125.1
- Listed by IAPMO
- WaterSense certified
- Approved for use in Massachusetts
- ADA compliant

Available Finishes

Chrome	17010001
Oil Rubbed Bronze	17010621
Brushed Nickel	17010821
Polished Nickel	17010831

The measurements shown are for reference only.

Products and specifications shown are subject to change without notice.

Specification sheet revised 05/2010