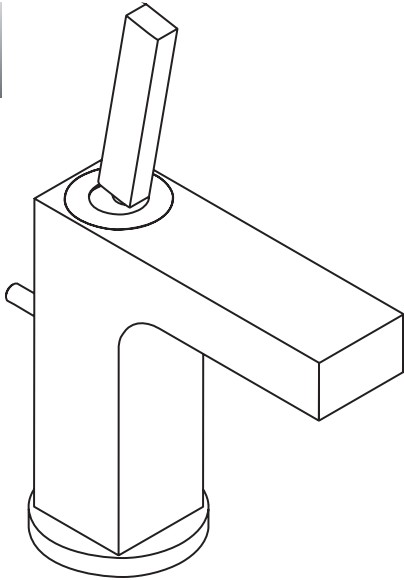


**ECO  
RIGHT**



## Product Features

- Award winning design
- Single hole installation
- Single handle with ceramic cartridge
- Cascade no-clog aerator
- 1.5 gpm
- Includes pop-up drain

## Code Compliance

This unit meets or exceeds the following:

- ASME A112.18.1
- CSA B125.1
- Listed by IAPMO
- WaterSense certified
- ADA compliant
- Approved for use in Massachusetts

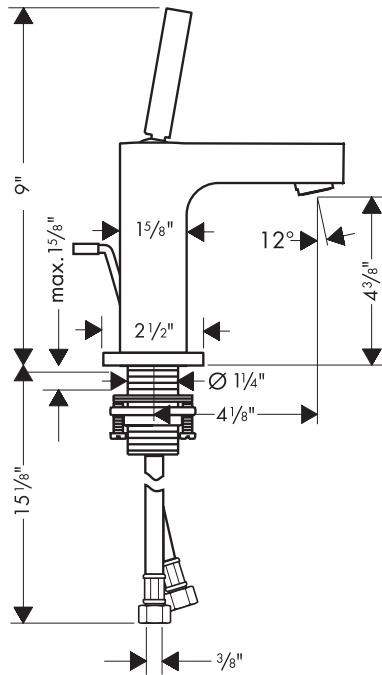
## Available Finishes

Chrome

39010001

Brushed Nickel

39010821



The measurements shown are for reference only.

Products and specifications shown are subject to change without notice.

Specification sheet revised 8/2009