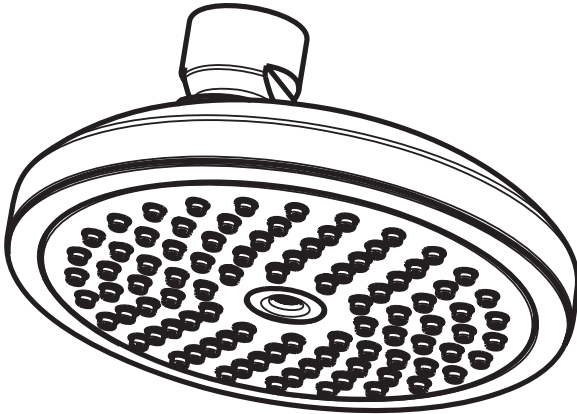


# Axor Citterio M 100 1-Jet AIR Showerhead

34610XX1

AIR  
POWER

QUICLEAN



## Product Features

- AIR injection technology
- Oversized spray face
- Normal spray, 2.5 gpm
- Quiclean™ cleaning system
- ½" Female inlet

## Code Compliance

This unit meets or exceeds the following:

- ASME A112.18.1
- CSA B125.1
- Listed by IAPMO
- Approved for use in Massachusetts

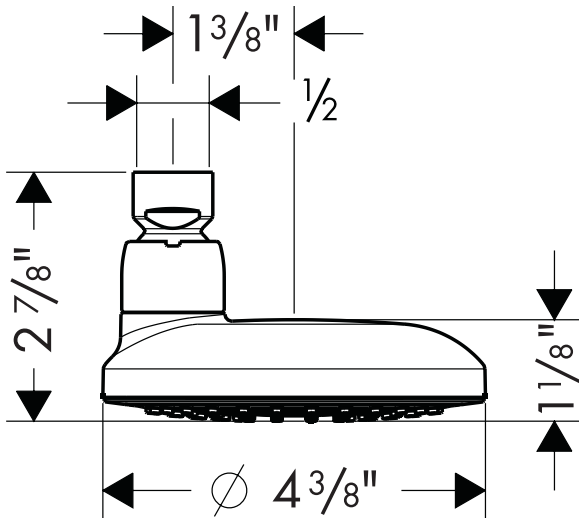
## Available Finishes

Chrome

34610001

Brushed Nickel

34610821



The measurements shown are for reference only.

Products and specifications shown are subject to change without notice.

Specification sheet revised 1/2009