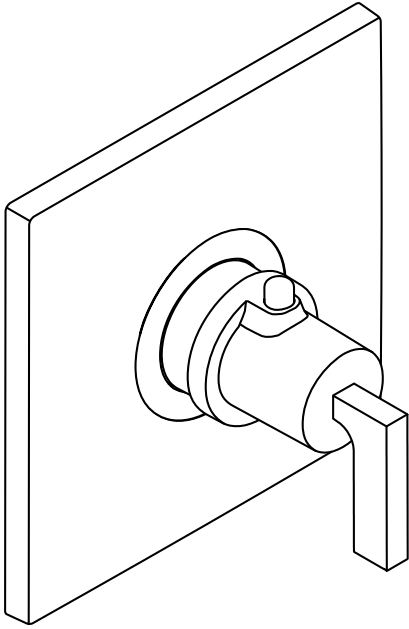


Axor Citterio Trim, Thermostatic Mixing Valve

39711XX1



Product Features

- Lever handle
- 100° safety stop
- High temperature limit stop can be reset to comply with local plumbing codes
- 15 gpm @ 44 psi
- Includes thermostatic function block
- Must be used with volume control

Code Compliance

This unit meets or exceeds the following:

- ASME A112.18.1 / CSA B125.1
- ASSE 1016
- Listed by IAPMO
- Approved for use in Massachusetts

Available Finishes

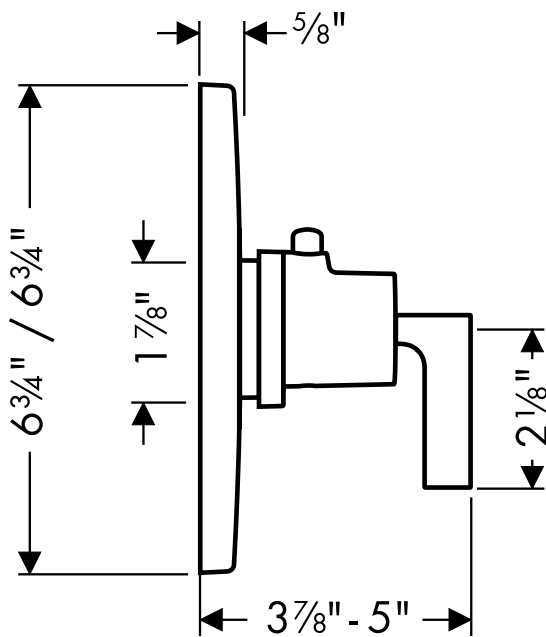
Chrome	39711001
Brushed Nickel	39711821

Required Accessories

iBox Plus rough	01850181
-----------------	----------

Optional Accessories

1" Extension (deep rough-in) kit	13595000
7/8" Extension (shallow rough-in) kit	97407XX0



The measurements shown are for reference only.

Products and specifications shown are subject to change without notice.

Specification sheet revised 8/2010