

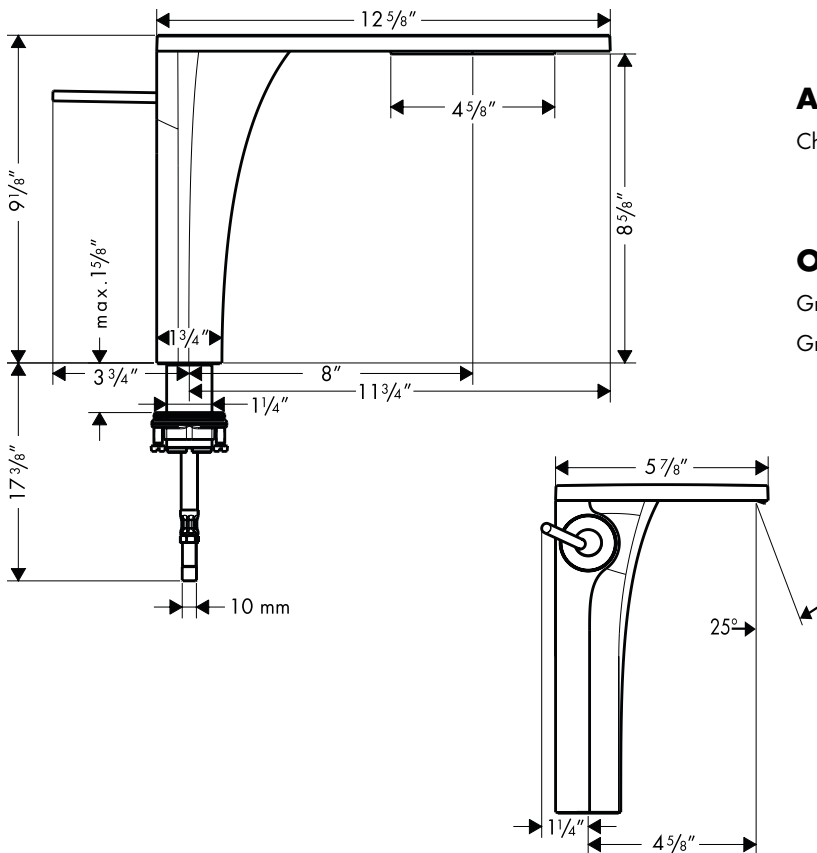
Product Features

- Single hole installation
- Ceramic cartridge
- Award-winning design
- For vessel-type sinks

Code Compliance

This unit meets or exceeds the following:

- ASME A112.18.1
- CSA B125.1
- ANSI A117.1
- Listed by IAPMO



Available Finishes

Chrome

18020001

Optional Accessories

Grid drain with overflow

06400000

Grid drain without overflow

04267000

The measurements shown are for reference only.

Products and specifications shown are subject to change without notice.

Specification sheet revised 5/2010