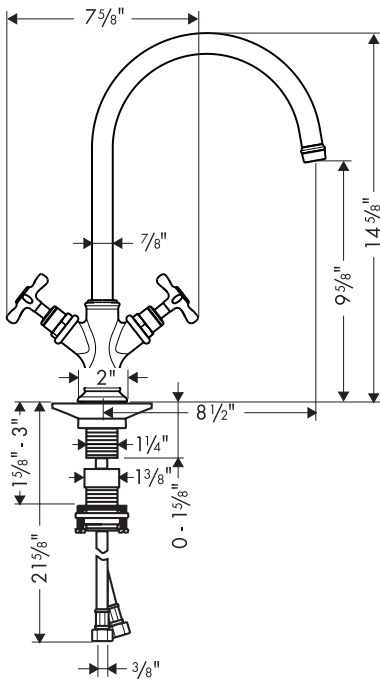
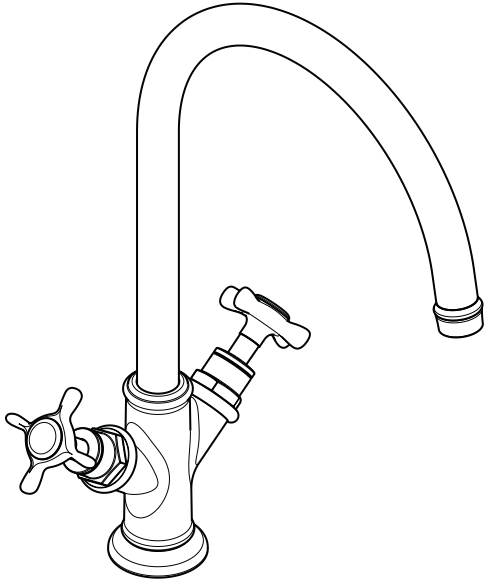


**ECO
RIGHT**



The measurements shown are for reference only.

Products and specifications shown are subject to change without notice.

Specification sheet revised 8/2009

Product Features

- Traditional cross handles with 90° ceramic cartridges
- Solid brass
- Single hole installation
- Spout swivels 150°
- Cascade no-clog aerator
- 1.5 gpm

Code Compliance

This unit meets or exceeds the following:

- ASME A112.18.1
- CSA B125.1
- Listed by IAPMO
- Approved for use in Massachusetts

Available Finishes

Chrome	16802001
Brushed Nickel	16802821

Optional Accessories

Cap kit set	16911XX0
-------------	----------