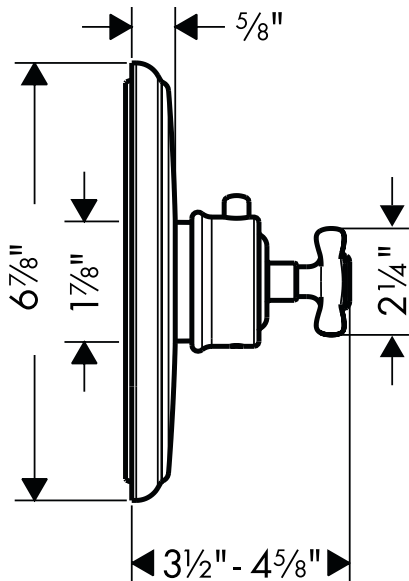
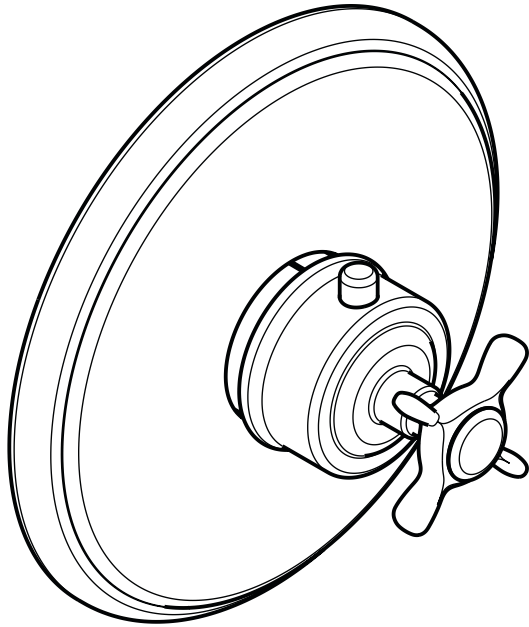


Axor Montreux Trim, Thermostatic Mixing Valve

16816XX1



Product Features

- Cross handle
- 100° safety stop
- High temperature limit stop can be reset to comply with local plumbing codes
- 15 gpm @ 44 psi
- Includes thermostatic function block
- Must be used with volume control

Code Compliance

This unit meets or exceeds the following:

- ASME A112.18.1 / CSA B125.1
- ASSE 1016
- Listed by IAPMO
- Approved for use in Massachusetts

Available Finishes

Chrome	16816001
Brushed Nickel	16816821
Polished Nickel	16816831

Required Accessories

iBox Plus rough	01850181
-----------------	----------

Optional Accessories

1" Extension (deep rough-in) kit	13595000
7/8" Extension (shallow rough-in) kit	13596XX0

The measurements shown are for reference only.

Products and specifications shown are subject to change without notice.

Specification sheet revised 08/2010