

Product Features

- Single-control operation
- Ceramic cartridge
- Solid brass
- Pull-down spray with full and needle spray modes
- Protection against back siphonage provided by check valve
- Spout swivels 360°
- Cascade no-clog aerator
- 2.2 gpm

Code Compliance

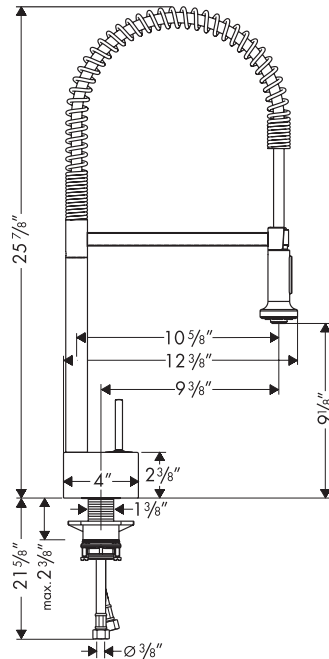
This unit meets or exceeds the following:

- ASME A112.18.1
- CSA B125.1
- Listed by IAPMO

Available Finishes

Chrome

10820001



The measurements shown are for reference only.

Products and specifications shown are subject to change without notice.

Specification sheet revised 8/2009