

Product Features

- Lever handle
- Coordinates with Talis C, Metris C, Swing C, Tango C, Limbo C

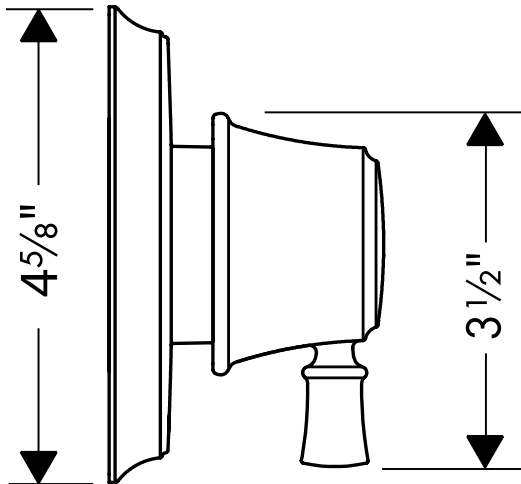
Code Compliance

This unit meets or exceeds the following:

- ASME A112.18.1 / CSA B125.1
- Listed by IAPMO
- Approved for use in Massachusetts

Available Finishes

Chrome	04222000
Oil Rub Bronze	04222620
Brushed Nickel	04222820
Polished Nickel	04222830
Rubbed Bronze	04222920



Required Accessories

Quattro rough	15930181
Trio rough	15984181

Optional Accessories

1" Extension set	96370000
------------------	----------

The measurements shown are for reference only.

Products and specifications shown are subject to change without notice.

Specification sheet revised 8/2010