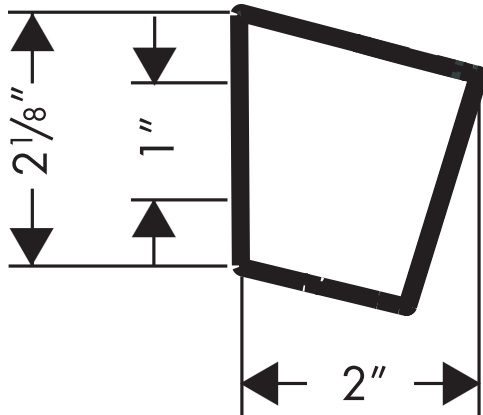


Product Features

- Wall-mounted handshower holder
- Fits handshower hose with conical nut

Available Finishes

Chrome	28331000
Oil Rubbed Bronze	28331620
Steel	28331800
Brushed Nickel	28331820
Polished Nickel	28331830



The measurements shown are for reference only.

Products and specifications shown are subject to change without notice.

Specification sheet revised 5/2009