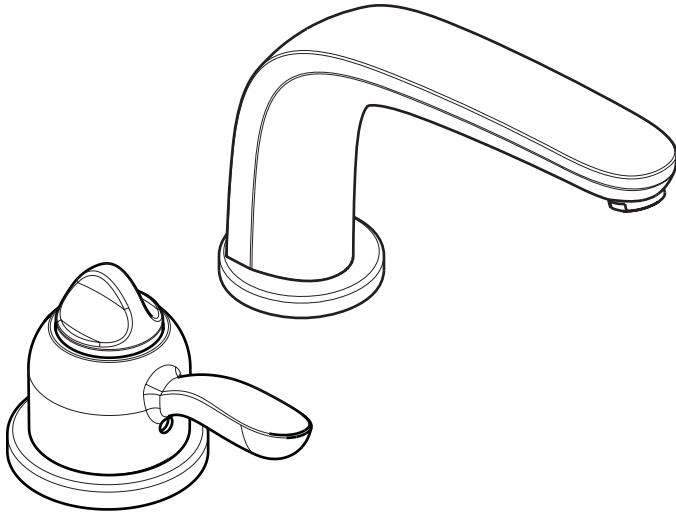


# Solaris E Trim, 2-Hole Thermostatic Tub Filler

04138XX0



## Product Features

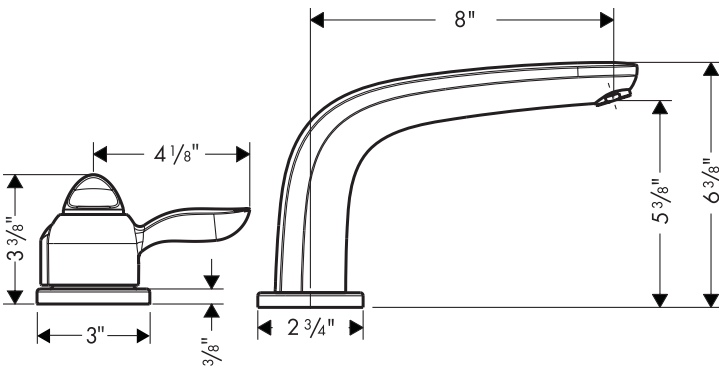
- Lever handle
- Tub spout
- Thermostatic temperature control, 2-way diverter, and volume control in one unit
- Max. flow rate 8 gpm @ 44 psi

## Available Finishes

Chrome	04138000
Brushed nickel	04138820
Polished nickel	04138830

## Required Accessories

Rough valve	04125181
-------------	----------



The measurements shown are for reference only.

Products and specifications shown are subject to change without notice.

Specification sheet revised 1/2009

**hansgrohe**