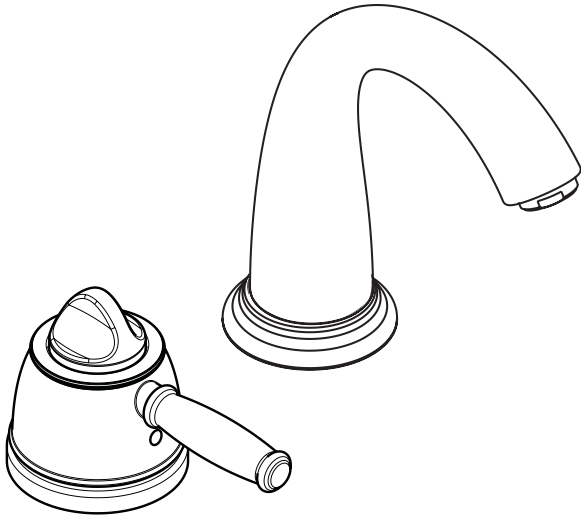


Swing C Trim, 2-Hole Thermostatic Tub Filler

04143XX0

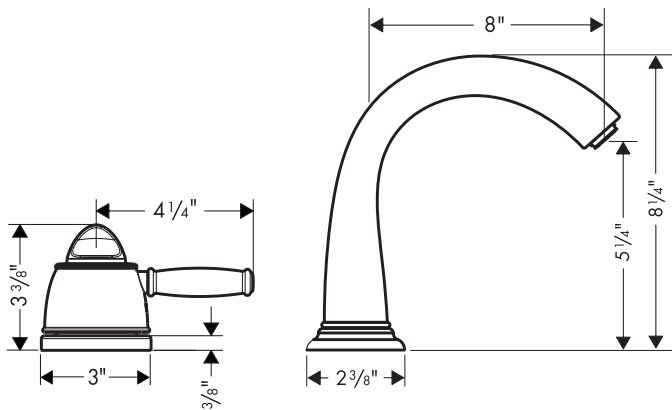


Product Features

- Lever handle
- Thermostatic temperature control, 2-way diverter, and volume control in one unit
- Tub spout
- Max. flow rate 8 gpm @ 44 psi

Available Finishes

Chrome	04143000
Oil rub bronze	04143620
Brushed nickel	04143820
Rubbed bronze	04143920



Required Accessories

Rough valve	04125181
-------------	----------

The measurements shown are for reference only.

Products and specifications shown are subject to change without notice.

Specification sheet revised 1/2009

hansgrohe