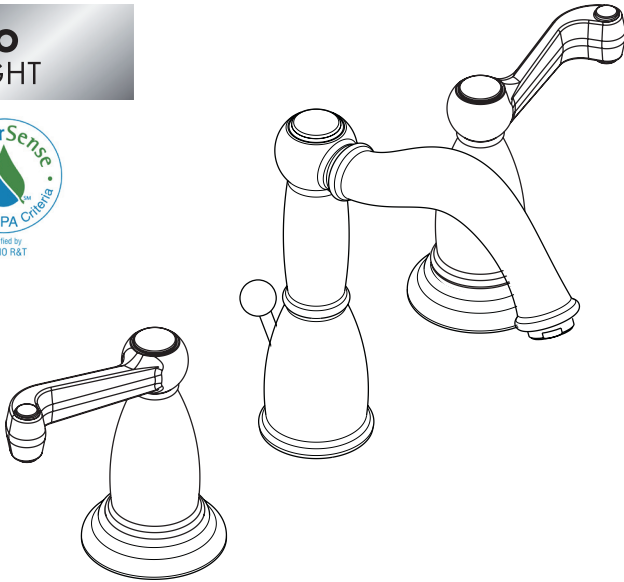


**ECO
RIGHT**



Product Features

- Scroll handles
- Solid brass
- 90° Ceramic cartridges
- Flexible connection hoses accommodate a variety of installations
- Cascade no-clog aerator
- 1.5 gpm max.
- Includes pop-up drain

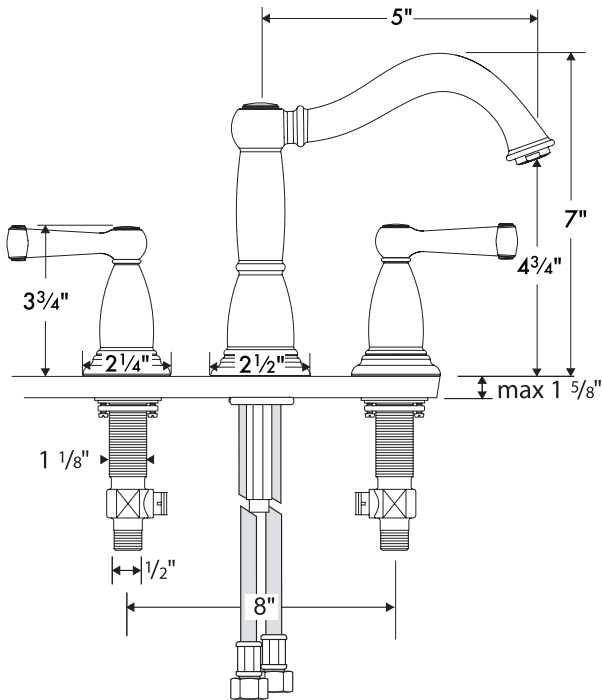
Code Compliance

This unit meets or exceeds the following:

- ASME A112.18.1
- CSA B125.1
- Listed by IAPMO
- WaterSense certified
- Approved for use in Massachusetts

Available Finishes

Chrome	06041000
Oil Rubbed Bronze	06041620
Brushed Nickel	06041820



The measurements shown are for reference only.

Products and specifications shown are subject to change without notice.

Specification sheet revised 5/2009

Installation Notes

- Requires 1/2" supply lines