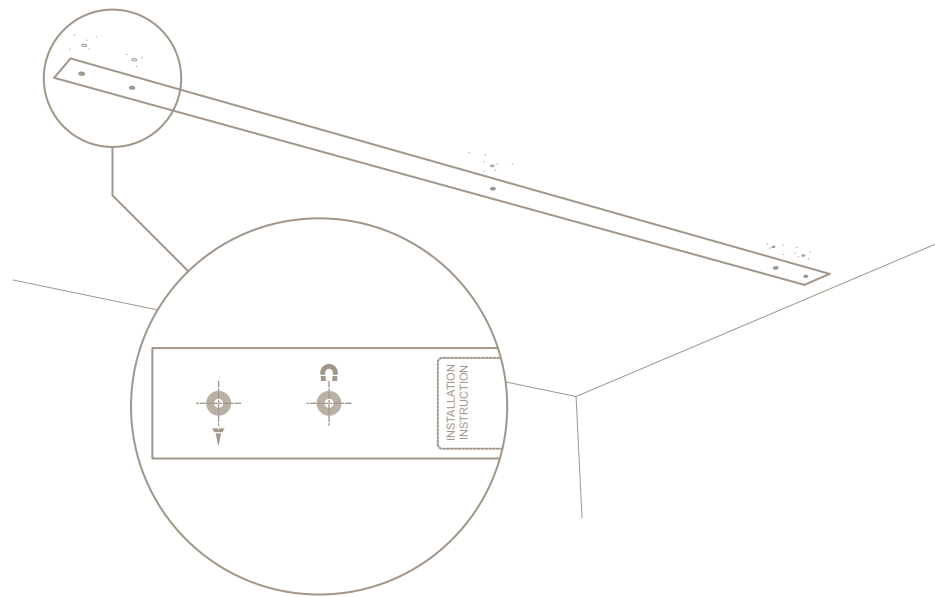


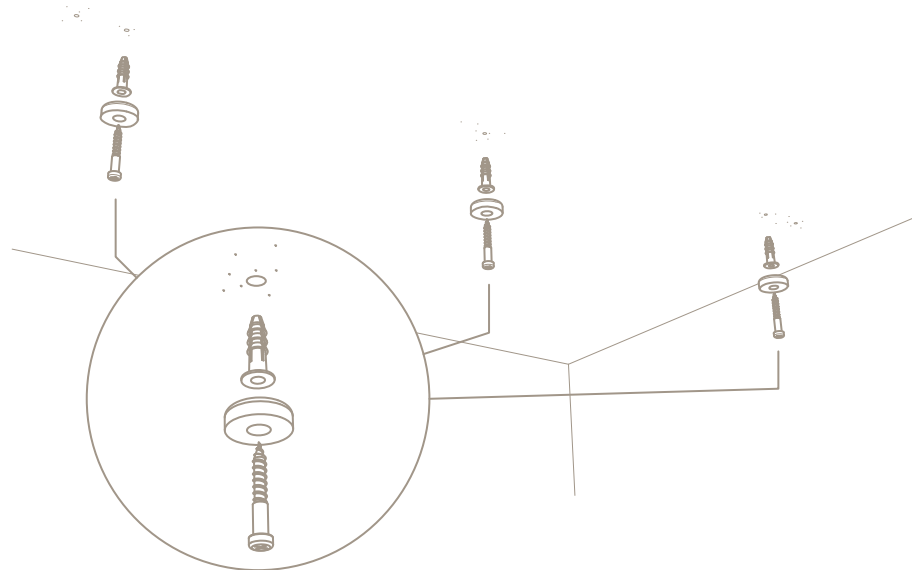
INSTALLATION STEPS. Read all steps before installing.

1 INSTALL PARTITION

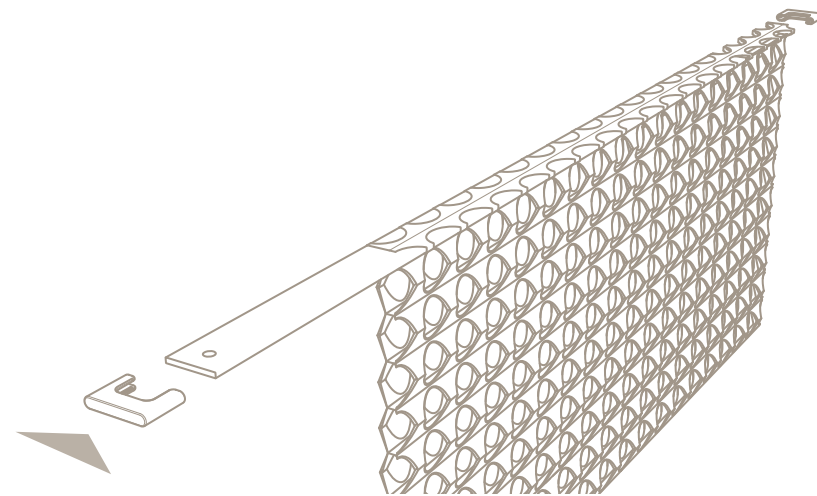
a. Peel backing off of the **Installation Template** and adhere to ceiling in desire position. Drill holes into ceiling according to the **Installation Template**



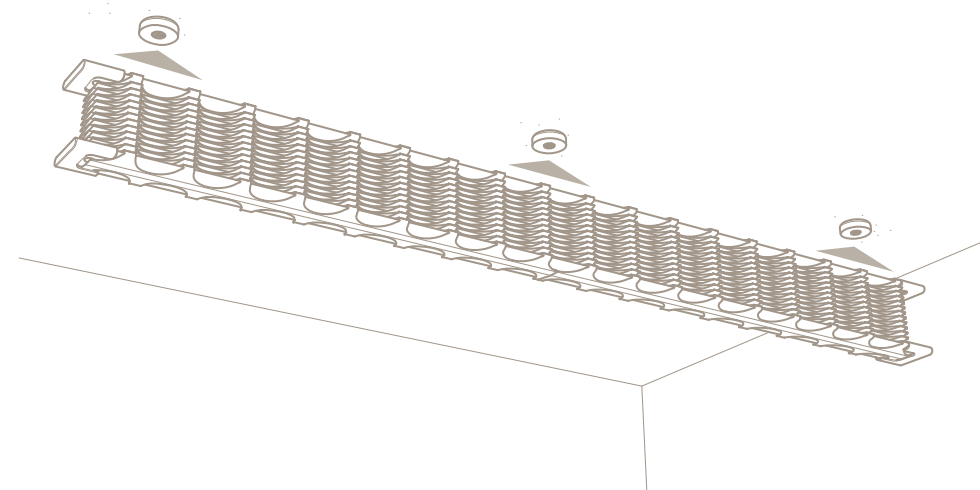
b. Fasten Magnets to the ceiling



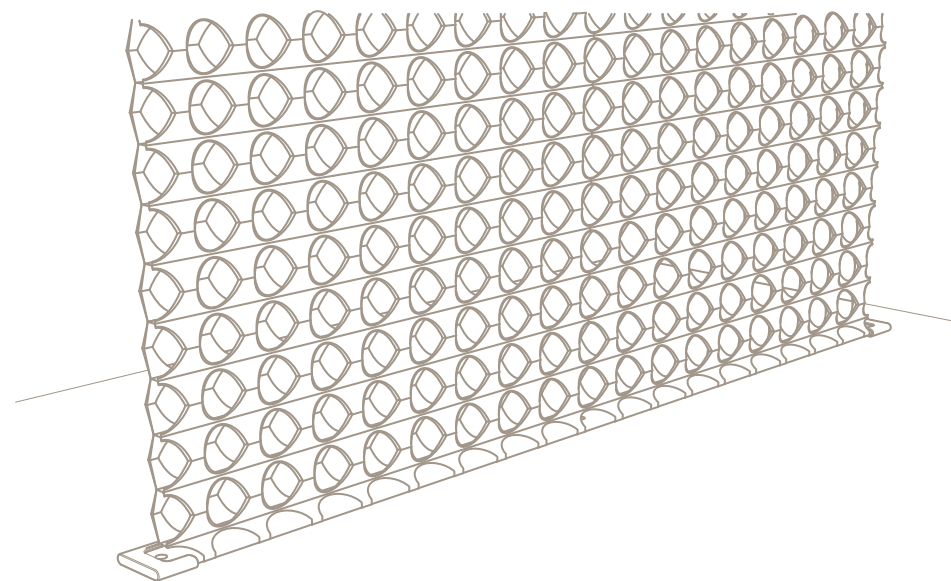
c. Slide the **Steel Bars** through the top and the bottom of the **Screen**
Place the **End Caps** on each end of the **Steel Bars**



d. Suspend the **Screen** from the **Magnets**

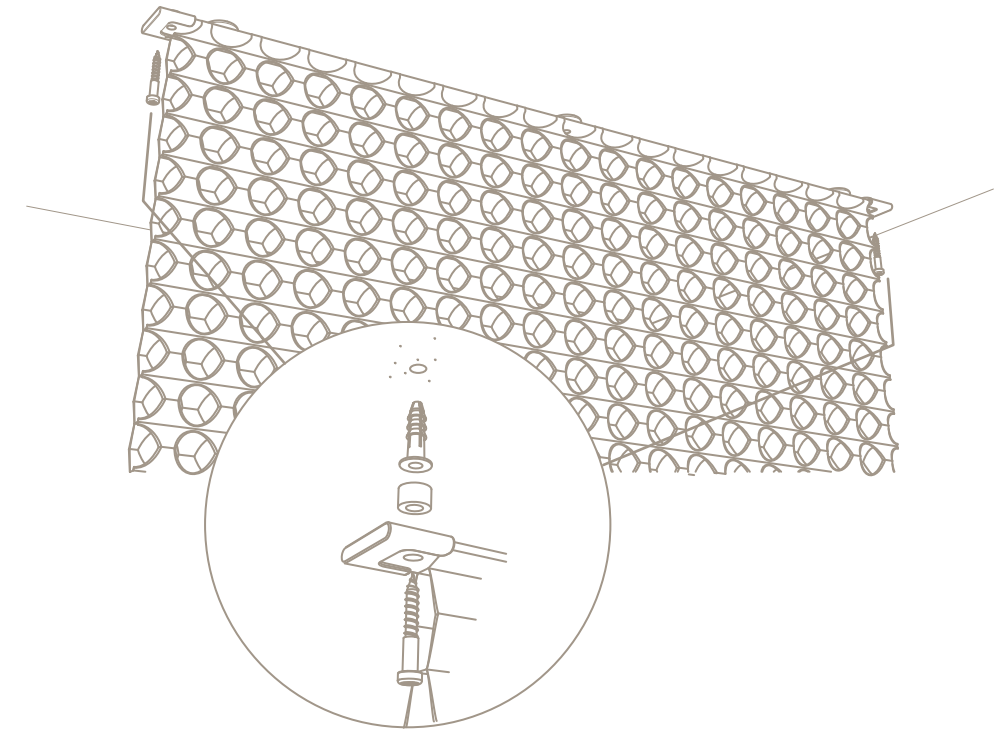


e. Lower the **Screen** to the floor



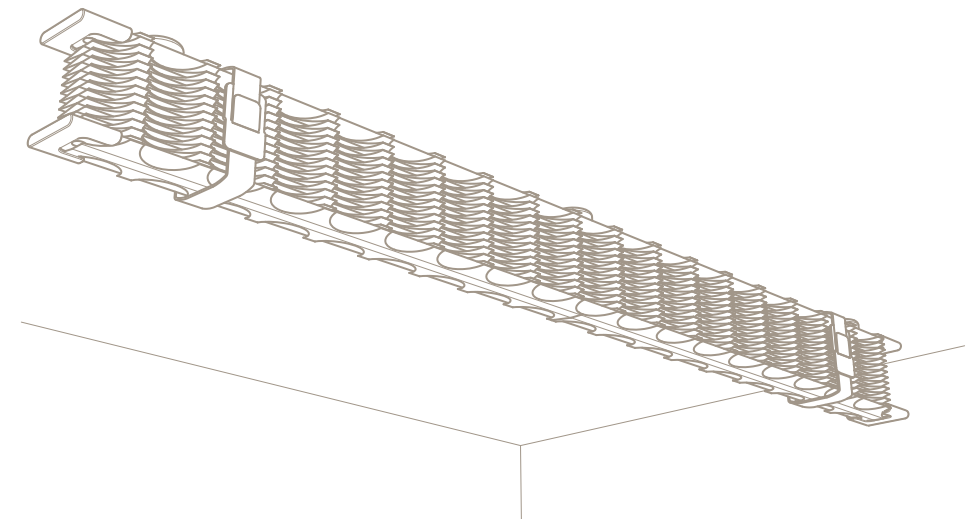
2 SECURE PARTITION (Optional steps)

Fasten each end of the top and/or bottom of the **Steel Bars**

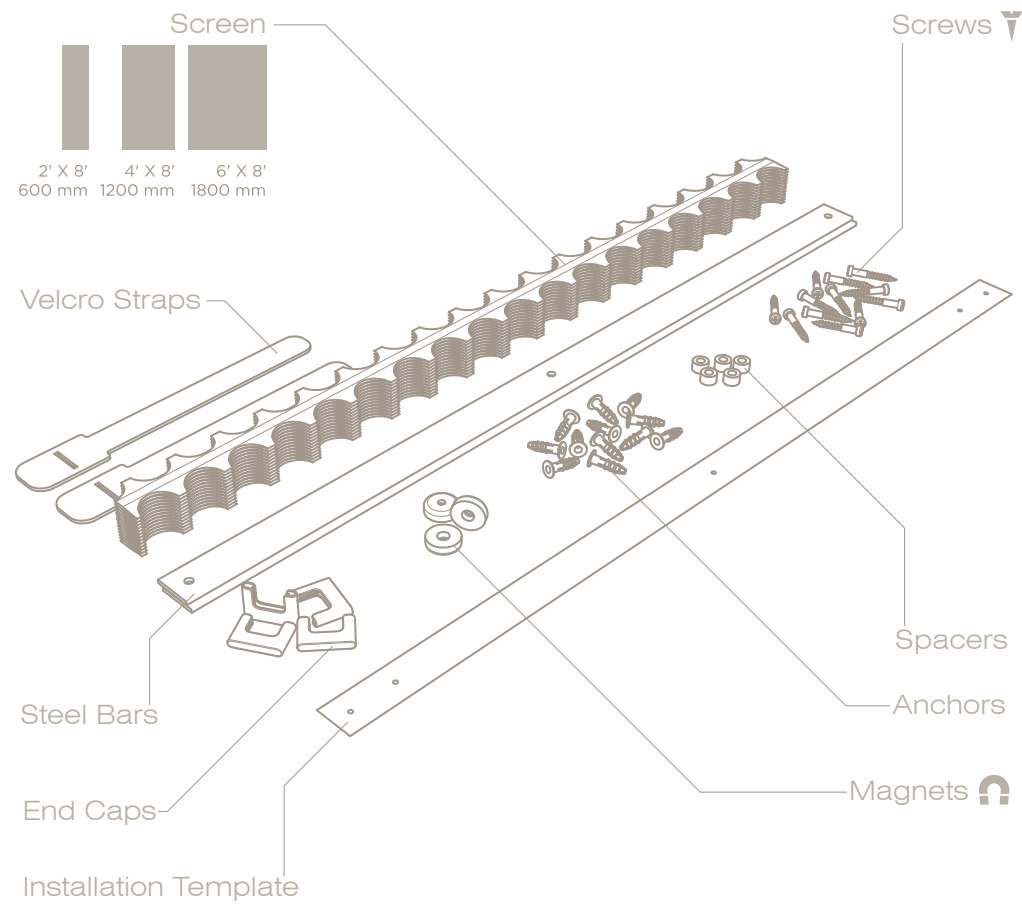


3 STORE PARTITION

To temporarily store compressed **Screen**, use **Velcro Straps** to secure



INSTALLATION ITEMS INCLUDED

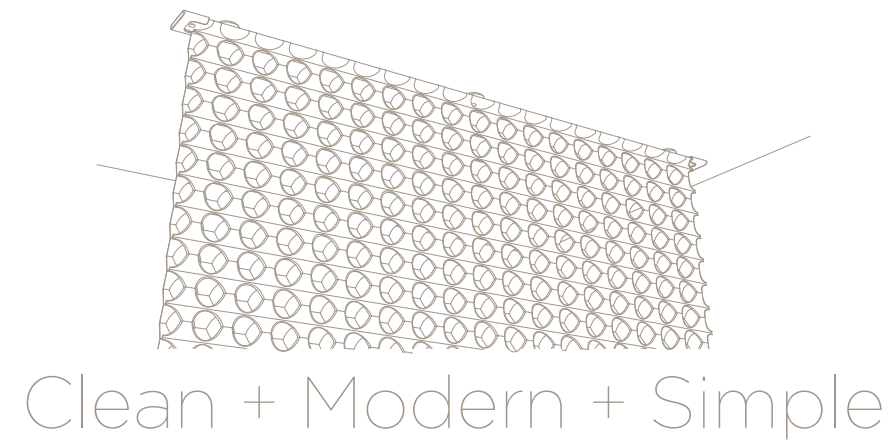
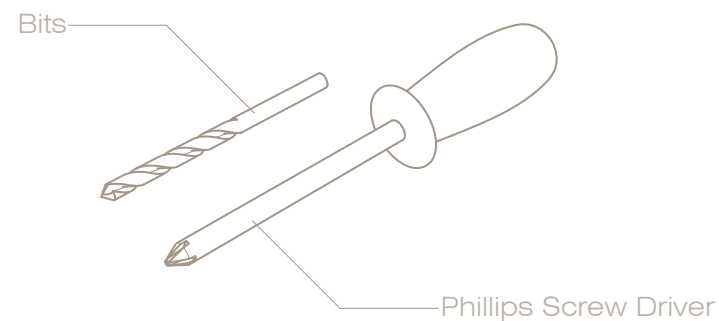


ENJOY

INSTALLATION INSTRUCTIONS

V

TOOLS NEEDED



email: info@parametre.us
website: www.parametre.us

parametre™ by 3form