

# PGB975SEM

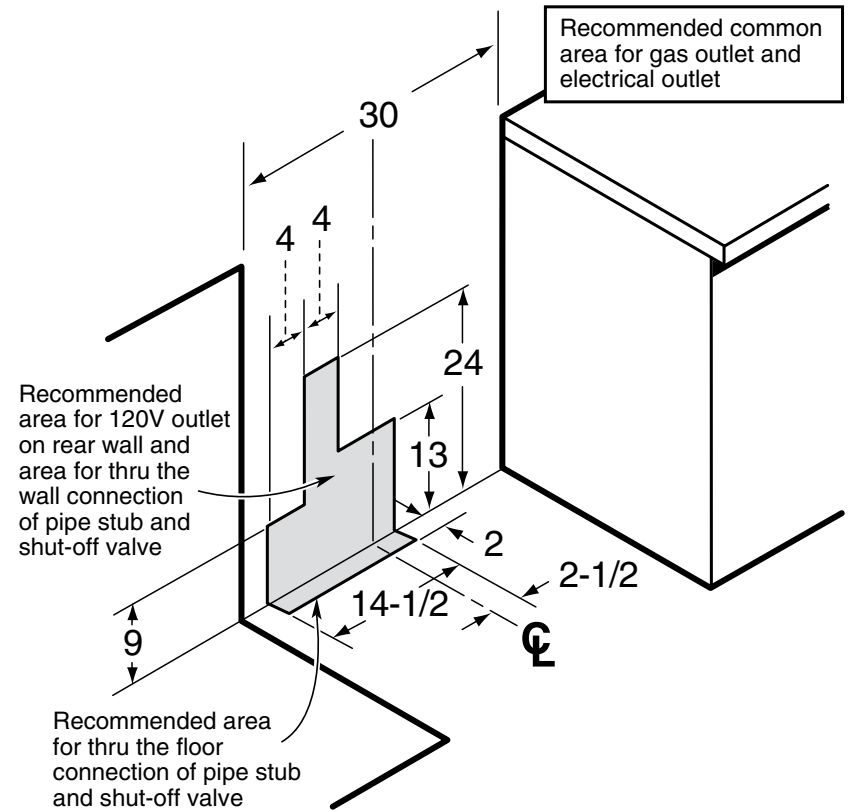
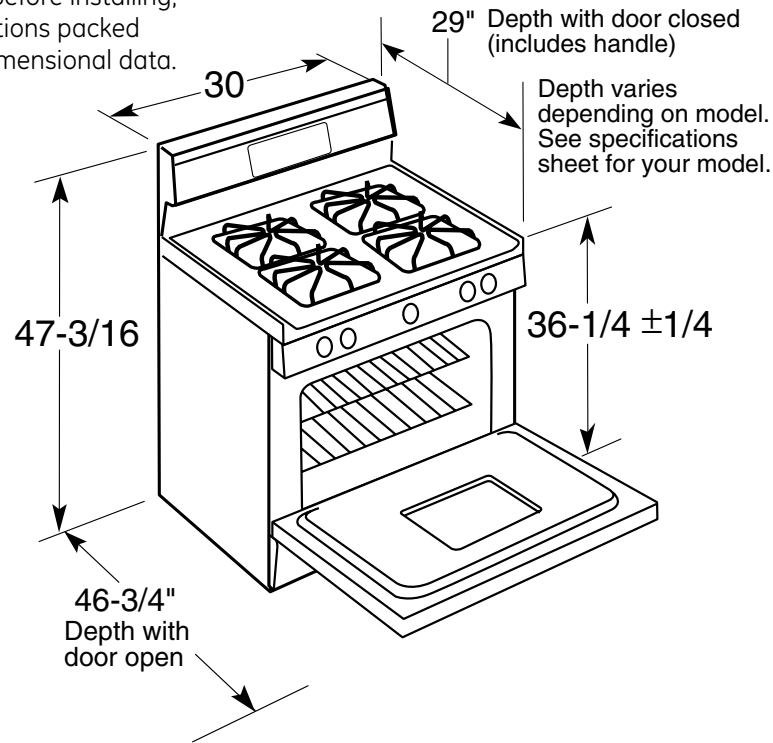
## GE Profile™ 30" Free-Standing Double Oven Range

### Dimensions and Installation Information (in inches)

**Note:** Dimension from the wall to the front of the closed door handle is 29". Depth to front edge of cooktop 25-1/4".

**Electrical Rating:** 120V, 60Hz, 9A

**Installation Information:** Before installing, consult installation instructions packed with product for current dimensional data.



For answers to your Monogram®, GE Profile™ or GE® appliance questions, visit our website at [ge.com](http://ge.com) or call GE Answer Center® service, 800.626.2000.



All GE ranges are equipped with an Anti-Tip device. The installation of this device is an important, required step in the installation of the range.

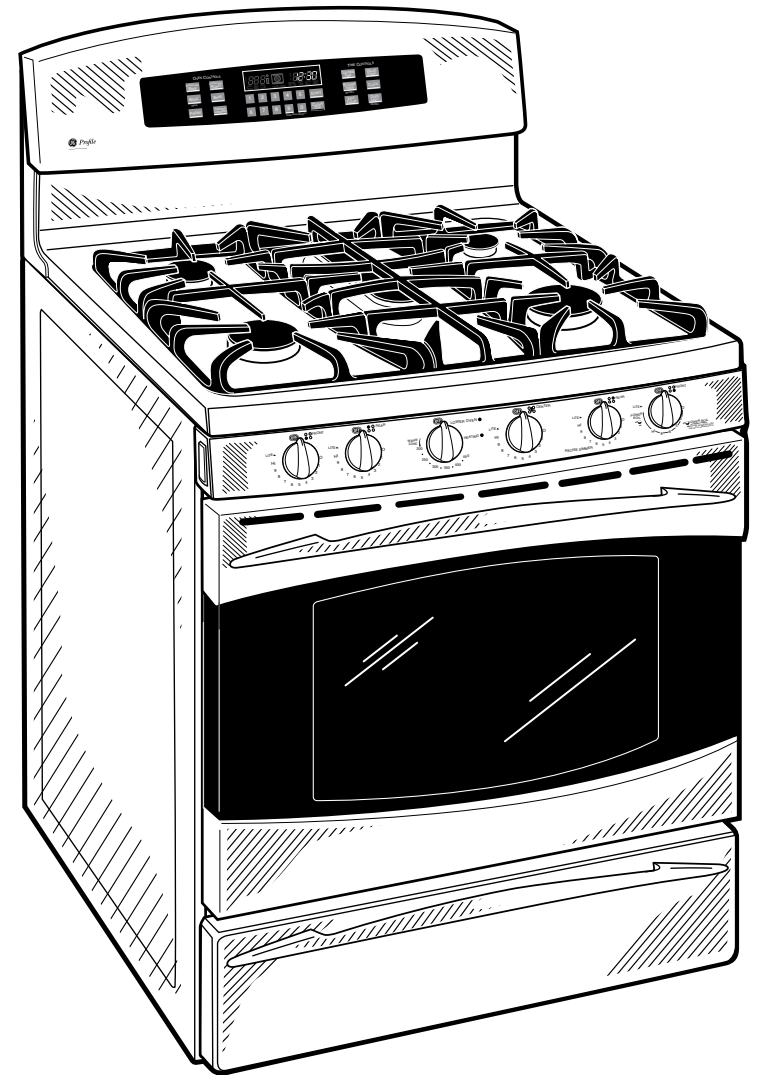


# PGB975SEM

## GE Profile™ 30" Free-Standing Double Oven Range

### Features and Benefits

- Gas Convection Oven - Circulates air throughout the oven cavity ensuring better baking and roasting results
- Self-Clean Oven - Conveniently cleans the oven cavity without need of scrubbing
- Extra-Large Oven Capacity - Provides a large oven interior ideal for cooking more items at once
- Lower Oven - Offers an additional 1.0 cu. ft. of capacity for convenient baking from 140 degrees to 450 degrees
- QuickSet VI Glass Touch Oven Controls - A smooth glass design that is easy-to-operate and easy-to-clean
- PowerBoil™ 18,000 BTu Burner - Delivers 18,000 BTus of forceful heat for rapid boiling
- Precise Simmer Burner - Delivers a low setting of 140 degrees, ideal for delicate foods and sauces
- Stainless Appearance Knobs - Deliver the sleek metallic color of stainless steel for a universally appealing look
- Continuous Grates - Provide a flat, sturdy surface allowing easy movement of pans between burners
- Model PGB975SEMSS - Stainless steel



imagination at work